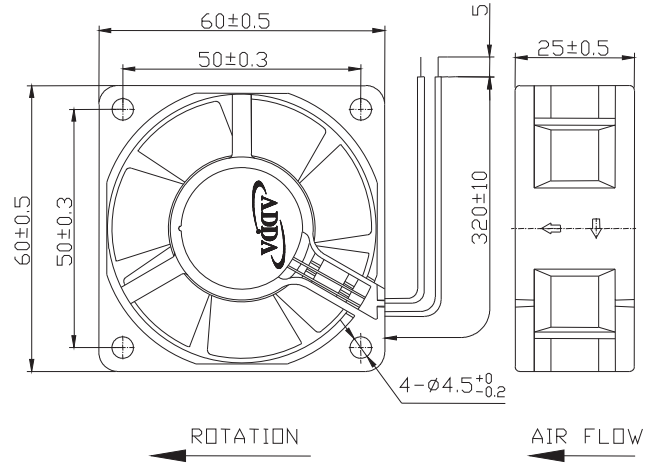




AQ6025 SERIES



External Dimensions



Frame:Plastic(UL:94V-0)
 Impeller:Plastic(UL:94V-0)
 Lead wire:UL1571AWG24

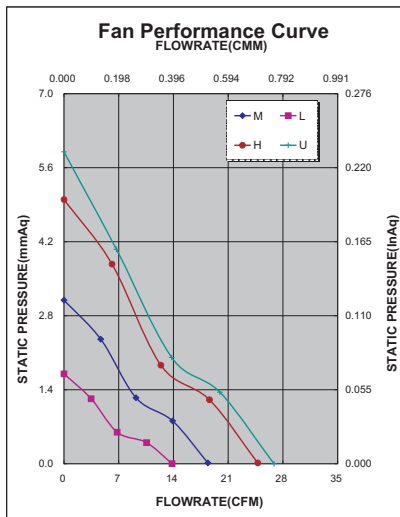
Specifications(Nominal)

*:Noise is measured at the distance of one (1) meter from the axis of intake.

Bearing type: ⊙=Ball ⊛=Sleeve ●=Hypro bearing

Frame size (mm)	Model No.	Bearing System Type	Rated Voltage (VDC)	Current (A)	Power (W)	Rated Speed (rpm)	Maximum AirFlow (CMM)	Maximum AirFlow (CFM)	Maximum Pressure (InAq)	Maximum Pressure (mmAq)	*Noise Level (dB/A)	Weight (g)
60x60x25	AQ0612LB-A70GL(T)	⊙	12	0.07	0.84	2500	0.374	13.20	0.063	1.60	18.1	68
	AQ0612MB-A71GL(T)	⊙	12	0.10	1.20	3500	0.510	18.18	0.122	3.00	28.6	
	AQ0612HB-A71GL(T)	⊙	12	0.16	1.92	4500	0.708	24.48	0.200	4.78	35.2	
	AQ0612UB-A71GL(T)	⊙	12	0.19	2.28	5000	0.765	27.00	0.230	5.84	40.0	
	AQ0624HB-A70GL(T)	⊙	24	0.12	2.88	4500	0.708	24.48	0.200	4.78	35.2	
	AQ0624UB-A71GL(T)	⊙	24	0.14	3.36	5000	0.765	27.00	0.230	5.84	40.0	

Specifications subject to change without notice.



*Motor protective circuit and third lead wire functions

0	1	2	3	4	6	7	8	9	A	B
✓	✓	✓	✓		✓					

*Safety approvals

				✓