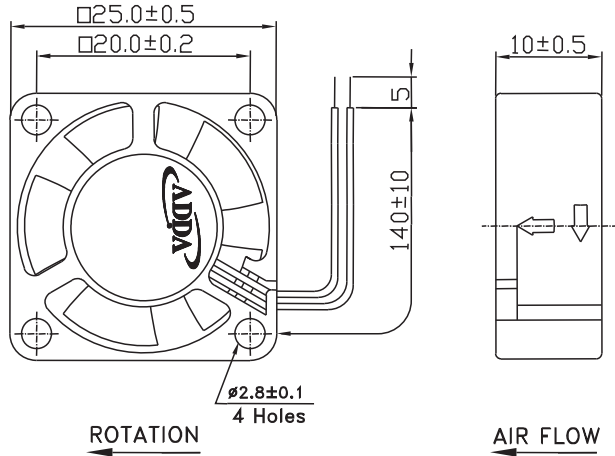
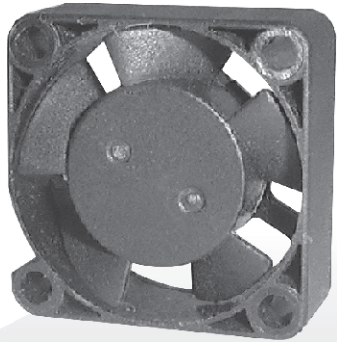


External Dimensions



Frame:Plastic(UL:94V-0)
 Impeller:Plastic(UL:94V-0)
 Lead wire:UL1571AWG28

Specifications(Nominal)

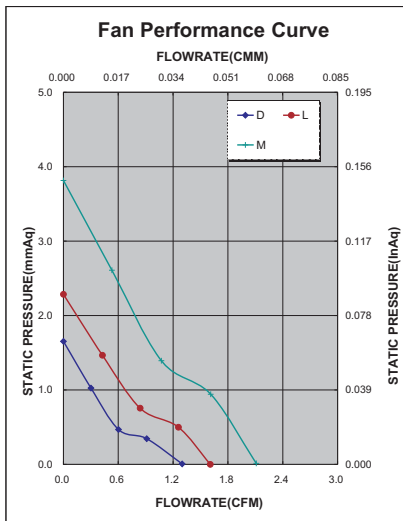
*:Noise is measured at the distance of one (1) meter from the axis of intake.

Bearing type: ◎=Ball ※=Sleeve ●=Hypro bearing

Frame size (mm)	Model No.	Bearing System Type	Rated Voltage (VDC)	Current (A)	Power (W)	Rated Speed (rpm)	Maximum AirFlow (CMM) (CFM)		Maximum Pressure (InAq) (mmAq)		*Noise Level (dB/A)	Weight (g)
25x25x10	AD0205LB-G50(GLT)	◎ ●	5	0.080	0.40	8000	0.045	1.600	0.090	2.286	18.3	
	AD0205MB-G50(GLT)	◎ ●	5	0.090	0.45	10000	0.059	2.100	0.150	3.810	23.0	
	AD0212DB-G50(GLT)	◎ ●	12	0.040	0.48	6000	0.031	1.100	0.040	1.016	13.0	8.0
	AD0212LB-G50(GLT)	◎ ●	12	0.050	0.60	8000	0.045	1.600	0.090	2.286	18.3	
	AD0212MB-G50(GLT)	◎ ●	12	0.070	0.84	10000	0.059	2.100	0.150	3.810	23.0	

Specifications subject to change without notice.

The specification for bearing type is for reference only , for more bearing types information, please contact with your ADDA sales representative, thanks!!
 (網頁上呈現產品軸承資訊均以2Ball為主，若需其他產品資訊請聯絡您在ADDA的業務代表，謝謝!!)



*Motor protective circuit and third lead wire functions

0	1	2	3	4	6	7	8	9	A	B
✓	✓		✓		✓					

*Safety approvals

✓	✓		✓	✓