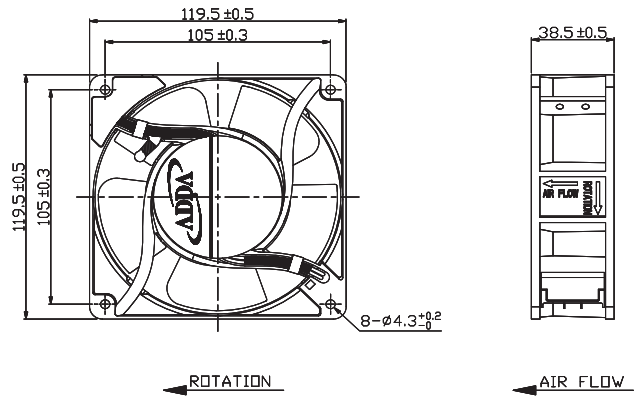


External Dimensions



Frame: Aluminum Alloy
 Impeller: Plastic(UL-94-V-0)
 Motor structure: Shaded Pole Induction Motor.
 Rotational direction CCW looking at rotor.
 Lead Wire Type: -AW = Wires / -AT = Terminal
 Lead wire UL1430AWG22
 Operating temp. -10°C~70°C
 -10°C~60°C for fans with sleeve/ball combination bearings.

Specifications(Nominal)

*: Noise is measured at the distance of one (1) meter from the axis of intake.

Bearing type: ⊙=Ball

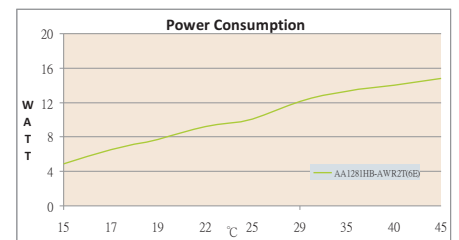
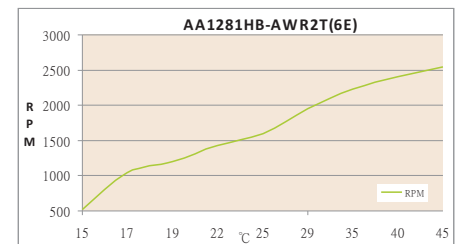
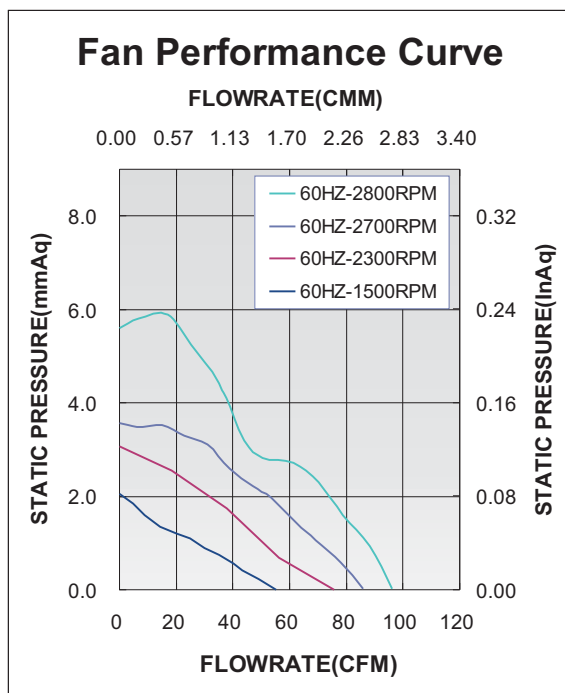
Frame size (mm)	Model No.	Bearing System Type	Volt. (VAC)	Freq. (Hz)	Current (A)		Rated Speed (rpm)	Maximum Airflow @2800rpm (CMM) (CFM)		Maximum Pressure @2800rpm (InAq) (mmAq)		*Noise Level @2800rpm (dB/A)	Weight (g)
					25°C~45°C	25°C~45°C		25°C~45°C	25°C~45°C				
120*120*38	AA1281HB-AWR2T(6E)	⊙	115	60	0.14~0.19	9~16.5	1500~2650	2.70	95	0.200	5.20	43.6	570
120*120*38	AA1281HB-AWR2T(6N)	⊙	115	60	0.14~0.19	9~16.5	1500~2650	2.70	95	0.200	5.20	43.6	570

Specifications subject to change without notice.

Customized settings ,please contact with your ADDA sales representative, thanks!!

(客製化上之需求，請聯絡您在ADDA的業務代表，謝謝!!)

Customization available
(Temp. vs Rotational speed curve)



*Safety approvals

