

FP-108JC

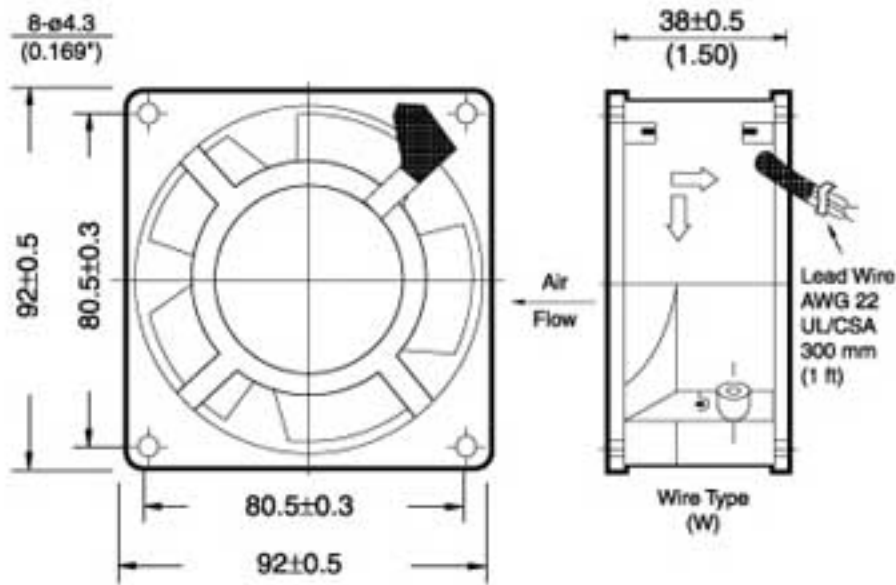
92 x 92 x 38 mm PLUTO

DESIGN FEATURES

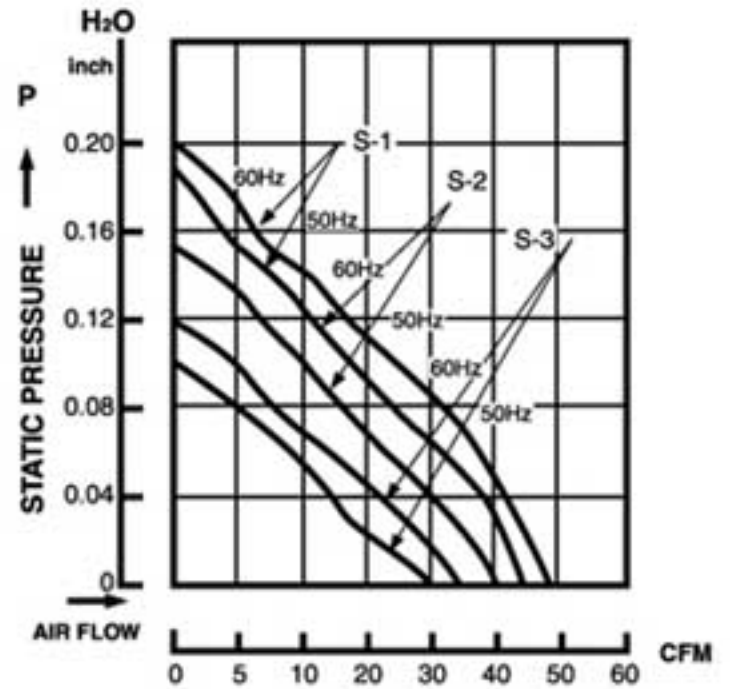
- * **Bearing System:**
Sleeve bearing & ball bearing
- * **Impeller:**
Plastic with fiber glass filed UL 94V-0
- * **Housing:**
Die cast aluminium painted black or natural color
- * **Motor:**
Shaded pole, impedance protected
- * **Connecting:**
Wire leads
- * **Speed:**
S-1 high speed type
S-2 medium speed type
S-3 low speed type
- * **Other Voltage:**
24, 48, 100, 380AC, (50-60Hz) are available



Dimensions: mm



Performance



Specification

MODEL NO.	VOLT (VAC)	FREQUENCY (HZ)	AIR (CFM)	VOLUME (M ³ /MIN)	CURRENT (A)	POWER (W)	SPEED (RPM)	STATIC PRESSURE (INCH-H ₂ O)	NOISE (dBA)
FP-108JC (S-1)	110/120	50/60	40/45	1.10/1.30	0.15/0.12	10/9	2700/3000	0.17/0.20	35/37
FP-108JC (S-1)	220/240	50/60	40/45	1.10/1.30	0.15/0.12	16/13	2700/3000	0.17/0.20	35/37
FP-108JC (S-2)	110/120	50/60	33/40	0.93/1.10	0.12/0.10	8.5/7.0	2300/2500	0.14/0.15	24/25
FP-108JC (S-2)	220/240	50/60	33/40	0.93/1.10	0.10/0.08	14/11	2300/2500	0.14/0.15	24/25
FP-108JC (S-3)	110/120	50/60	27/30	0.76/0.85	0.09/0.07	7.0/6.0	2000/2200	0.10/0.11	22/24
FP-108JC (S-3)	220/240	50/60	27/30	0.76/0.85	0.09/0.07	11/9.0	2000/2200	0.10/0.11	22/24