

Distributed by:

JAMECO[®]
ELECTRONICS

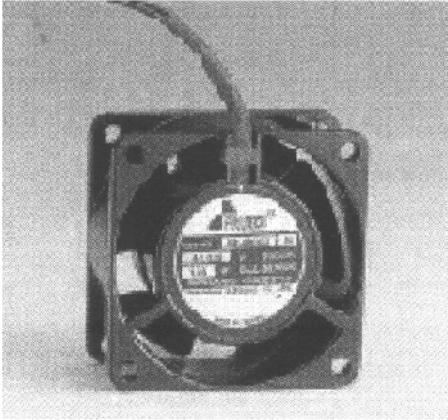
www.Jameco.com ♦ 1-800-831-4242

The content and copyrights of the attached
material are the property of its owner.

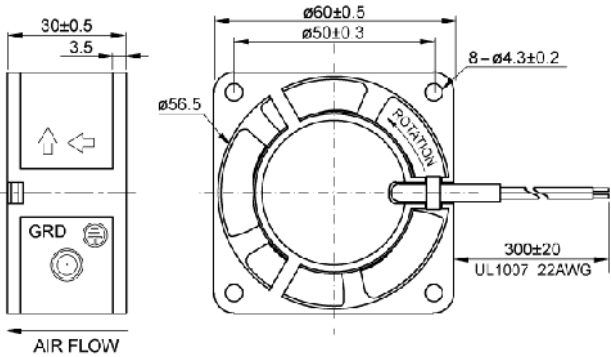
Jameco Part Number 213867

Date	Rev.	Description

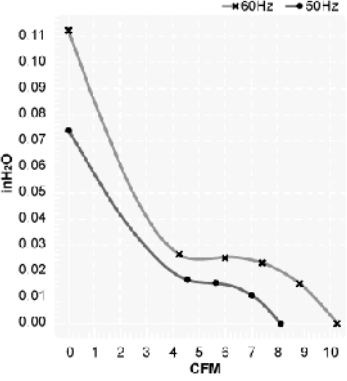
Size : 60 x 60 x 30
Unit : mm



Impedance Protection



Lead Wire Type



Spec. Model	Rated Voltage V	Frequency Hz	Input Power W	Rated Current A	Locked Current A	Speed RPM	Maximum Air Flow m ³ /min.	Maximum Air Flow CFM	Maximum Pressure mmH ₂ O	Maximum Pressure InchH ₂ O	Noise dB	Weight kg
UF60D10-H	100V	50	5	0.050	0.055	2400	0.23	8.10	1.8	0.07	27	0.14
		60	4	0.040	0.045	3000	0.29	10.24	2.8	0.11	28	
UF60D11-H	115V	50	5	0.042	0.042	2400	0.23	8.10	1.8	0.07	27	0.14
		60	4	0.035	0.040	3000	0.29	10.24	2.8	0.11	28	
UF60D20-H	200V	50	5	0.025	0.027	2400	0.23	8.10	1.8	0.07	27	0.14
		60	4	0.020	0.022	3000	0.29	10.24	2.8	0.11	28	
UF60D23-H	230V	50	5	0.022	0.022	2400	0.23	8.10	1.8	0.07	27	0.14
		60	4	0.016	0.020	3000	0.29	10.24	2.8	0.11	28	

DCC. NO.
A4 DRAWING NO.

MATERIAL		GOLDSUN ELECTRONICS CO., LTD.	
JAMECO NO. 213867		GOLDSUN NO. UF60D11-H	
DRWN Kiki Chen	DATE	Description FAN	
CHK Ada Zheng	DATE	Rev. 1	
APVD Chesley Chang	DATE	UNIT: mm	SCALE: SHEET 1 OF 1
		CAS No:	ERN No: