

CUSTOMER	A096	MODEL NO.	GQ65-060330-E1
		EDITION	A0

Switching Power Supply Specifications

# Table of contents

1. SCOPE	.....	4
2. INPUT CHARACTERISTICS	.....	4
3. OUTPUT CHARACTERISTICS	.....	4-5
4. PROTECTION REQUIREMENT	.....	5-6
5. ENVIRONMENTAL REQUIREMET	.....	6-7
6. SAFETY AND EMC REQUIREMEN	.....	7
7. CIRCUIT DESCRIPTION	.....	7
8. MECHANICAL REQUIREMENT	.....	8
9. NAME LATE	.....	9
10. PACKAGE	.....	10
11. ELECTRICAL TEST REPORT	.....	11

CUSTOMER	A096	MODEL NO.	GQ65-060330-E1
		EDITION	A0

## 1. SCOPE:

This document describes the switching Adapter's electrical, mechanical, environmental, RoHS, safe certificate, and so on.

## 2. INPUT CHARACTERISTICS:

### 2.1 Input Voltage and Frequency:

Rated Voltage	Variation Range	Rated Frequency	Variation Frequency
100-240Vac	90-264Vac	50/60Hz	47-63Hz

### 2.2 Input Current:

AC current 2.0A max At input rated voltage with output full load.

### 2.3 Inrush Current:

In rated load, 25°C ambient temperature, Cold-state starting at 240Vac input, Inrush Current 60 Amps Max.

## 3. OUTPUT CHARACTERISTICS:

### 3.1 Power Output:

Voltage	Min. Load	Max. Load	Output Power
6.0Vdc	0A	3.3A	19.8W

### 3.2 Load character / Line Regulation:

Load	Min. Load	Max. Load
Current	0A	3.3A
Voltage	6.0Vdc ± 6%	6.0Vdc ± 6%

### 3.3 No load Standby Power:

0.3W Max

CUSTOMER	A096	MODEL NO.	GQ65-060330-E1
		EDITION	A0

### 3.4 Ripple And Noise:

Under Rated voltage and nominal load, The ripple and noise are as follows when measure with Max. Bandwidth of 20MHz and Parallel 47uF/0.1uF, crossed connected at testing point.

Voltage	Ripple And Noise (Max.)
6.0Vdc	300mVp-p

### 3.5 Turn On Delay Time:

Turn on time 3 second Max. At Rated Voltage input and output Max. Load.

### 3.6 Rise Time:

100mS Max. At Rated Voltage input and output Max. Load.

### 3.7 Hold Up Time:

10mS Min. At Rated Voltage input and output Max. Load.

### 3.8 Efficiency:

When input voltage 115/230VAC, the average efficiency of (25%. 50%. 75%. 100%) current at load shall be 76.87% Min. Meet CEC level IV.

### 3.9 Overshoot:

15% Max. When power supply at turn on or turn off.

## **4. PROTECTION REQUIREMENT:**

### 4.1 Short Circuit Protection:

The power supply will be auto recovered when short circuit faults remove.

CUSTOMER	A096	MODEL NO.	GQ65-060330-E1
	DongGuan GangQi Electronic Co., Ltd		EDITION A0

4.2 Over current Protection:

In the input voltage 115/230Vac, over-current protection points

**5. ENVIRONMENTAL REQUIREMENT:**

5.1 Operating Temperature:

0°C to 35°C, Full load, Normal operation.

5.2 Storage Temperature:

-10°C to 70°C With Case

5.3 Relative Humidity:

5%(0°C)~90%(35°C)RH, 72Hrs, Full load, Normal operating.

5.4 Vibration:

5.4.1

Operating: IEC 721-3-3 3M3

5-9Hz, A=1.5mm

(9~200Hz, Acceleration 5m/s<sup>2</sup>)

5.4.2 Transportation:

IEC 721-3-2 2M2

- , = .

9~200Hz, Acceleration=5m/S<sup>2</sup>

200~500Hz, Acceleration=15m/S<sup>2</sup>

5.4.3 Axes, 10 cycles per axis.

No permanent damage may occur during testing.

The product has to restore to its original situation after power off/on.

5.5 Dropping (Packed):

Height: 1m (Each side dropping once, total 6 side.)

CUSTOMER	A096	MODEL NO.	GQ65-060330-E1
			EDITION A0

## 5.6 RELIABILITY:

According to the standard of MIL-STD-HDBK-217, when ambient temperature at 25°C, in full load, the life will more than 20,000 hours.

## 6. SAFETY AND EMC REQUIREMENT

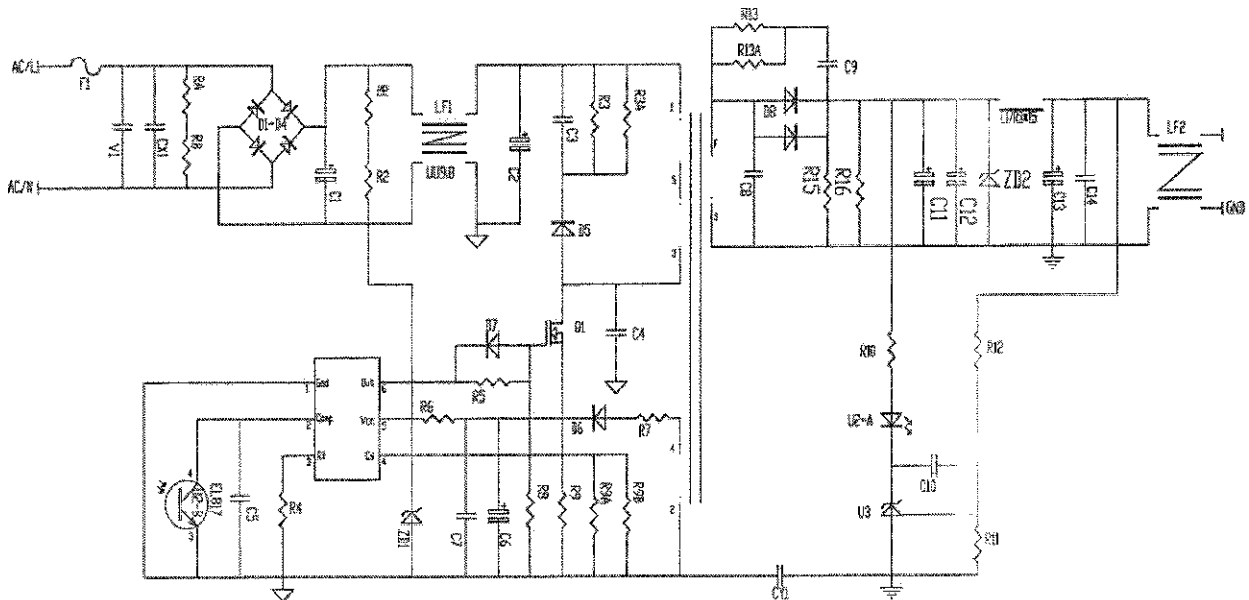
### 6.1 Safety:

Certified	Standard
CE	EN55022/EN55024
TUV (US)	US 60950

### 6.2 DIELECTRIC STRENGTH (Hi-Pot):

Primary to secondary, 1500Vac/10mA/60s.

## 7. CIRCUIT DESCRIPTION.

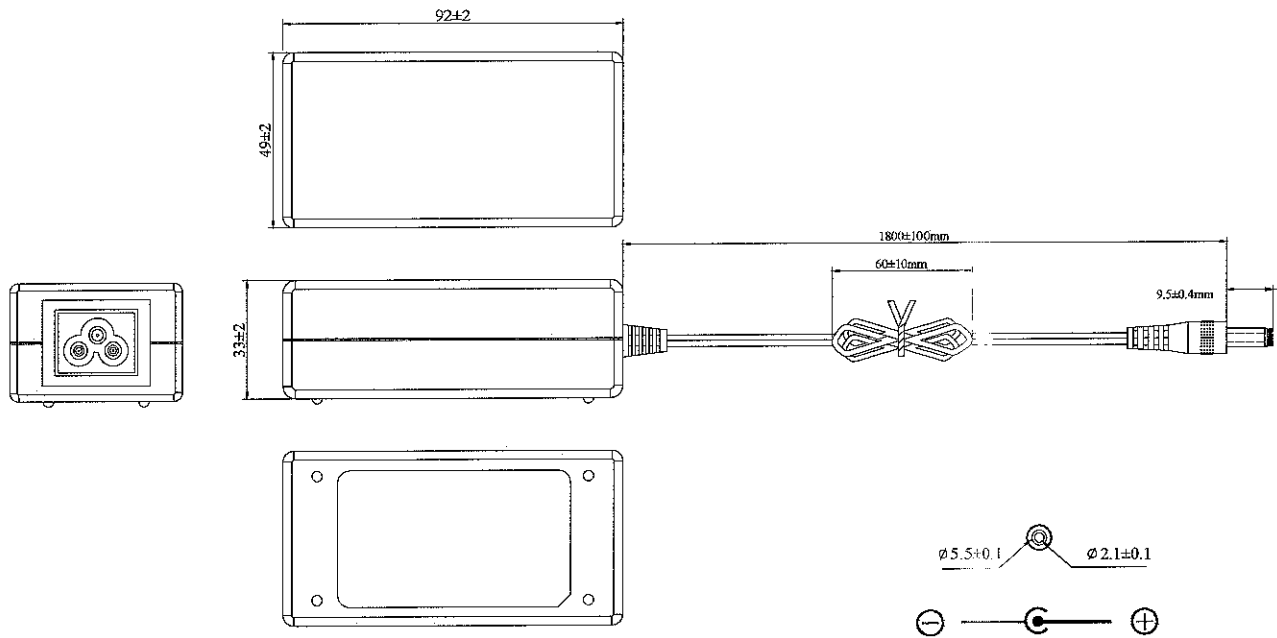


CUSTOMER	A096	MODEL NO.	GO65-060330-E1
		EDITION	A0

## 8. MECHANICAL REQUIREMENT:

8.1 Enclosure: PC+ABS ; BLACK (LEAD FREE)

The power supply size: L:92\*W:49\*H:33mm

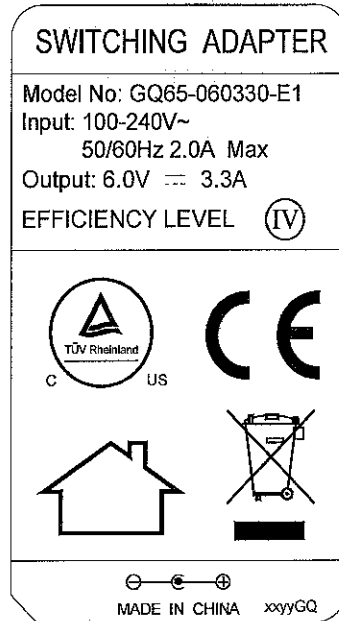


8.2. DC CABLE SPEC:

UL2468 18AWG 1.8M (BLACK) . DC PLUG:  $\varnothing 5.5 \times 2.1 \times 9.5 / 180^\circ$

CUSTOMER	A096	MODEL NO.	GQ65-060330-E1	
			EDITION	A0

**9. LABEL:**



Note: MATERIAL:

SILVER characters BLACK background

Thickness: 0.13mmT

ROHS

CUSTOMER	A096	MODEL NO.	GQ65-060330-E1
		EDITION	A0