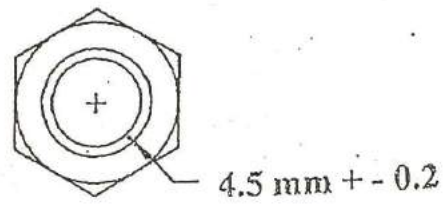
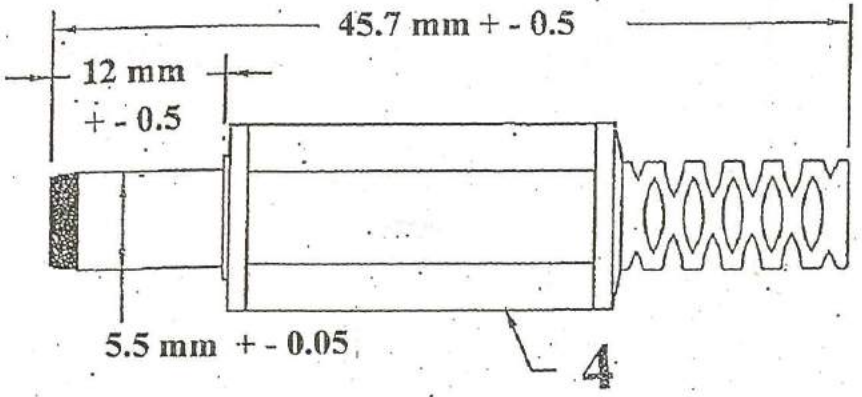
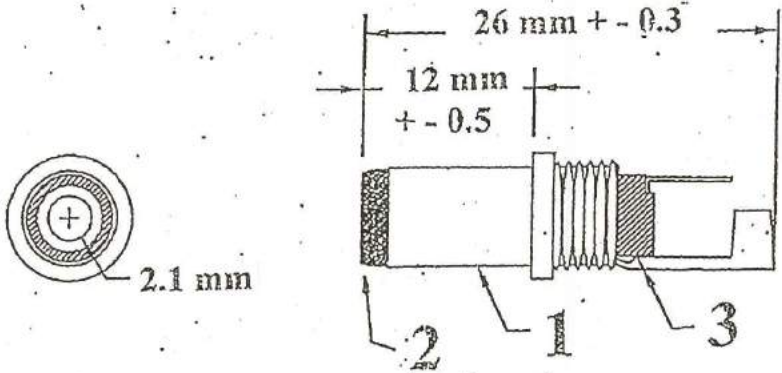


Date	Rev.	Description



DCC. NO.
A4 DRAWING NO.

MATERIAL		GOLDSUN ELECTRONICS CO., LTD.			
		JAMECO NO.	GOLDSUN NO.		
		2145123	CS1021-A-12MM		
DRAWN: Tina		Description		Rev. 1	
VERIFY PEOPLE: Chesley		UNIT: mm	SCALE:	SHEET 1 OF 1	CAS No: ERN No: