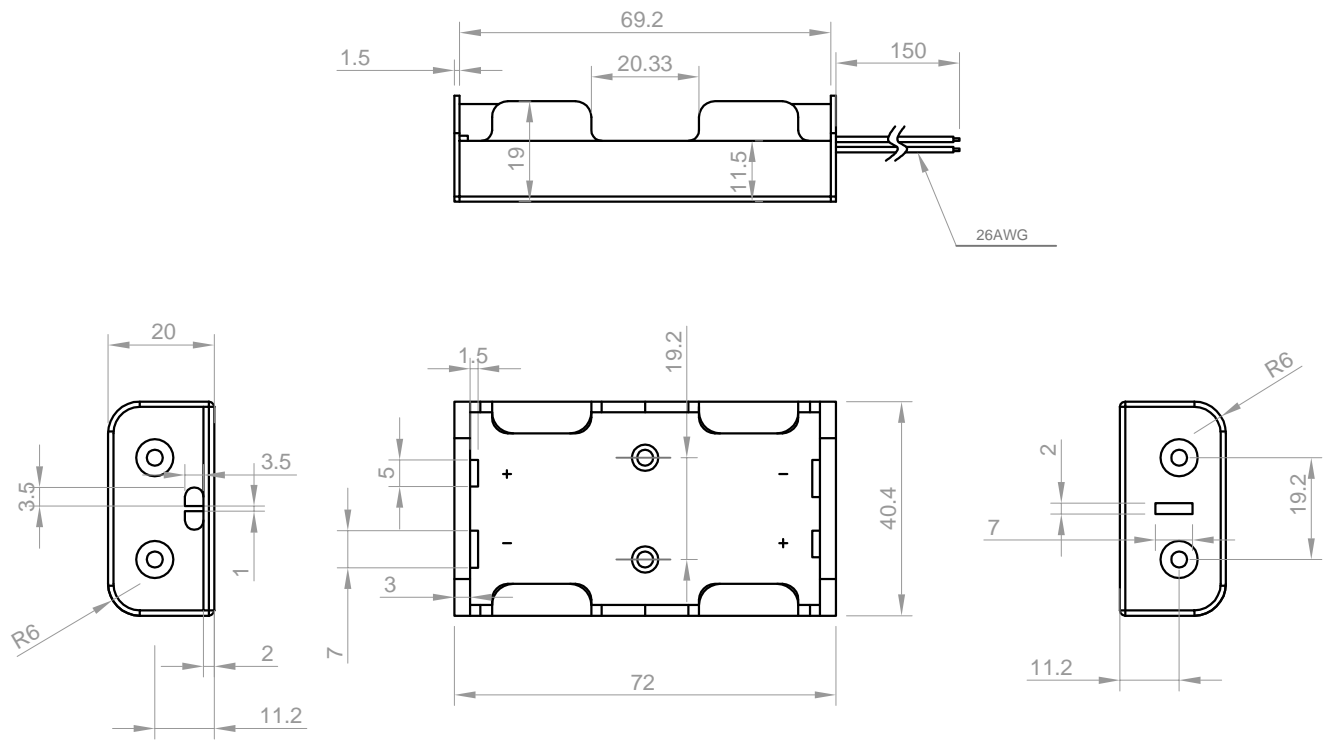


| Rev. | Revision | Date       |
|------|----------|------------|
| 01   | Update   | 11/09/2011 |



Notes:  
 Battery Holder for 2Cell of Li-Ion 18650 Without PCB,W/Gasket

|                |       |            |            |                  |             |
|----------------|-------|------------|------------|------------------|-------------|
| Drawn          | Emily | 11/09/2011 | UNIT: mm   |                  |             |
| Checked        | Sara  | 11/09/2011 |            |                  |             |
| Eng Appr.      |       |            | Sinotech   |                  |             |
| BH-18650-2S-WG |       |            | SIZE<br>A4 | P/N<br>2146231   | REV<br>01   |
|                |       |            | SCALE: 1:2 | Weight(kg):0.016 | SHEET 1of 1 |