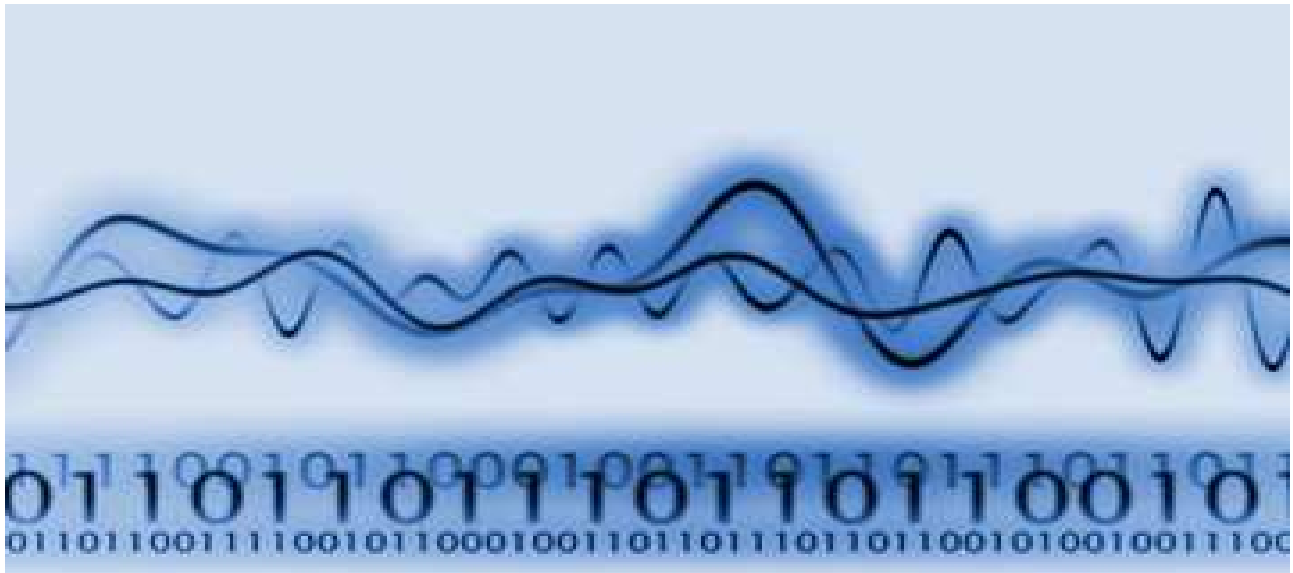




CSS555C Demonstration Kit

Operating Manual

**Safety Precautions:**

Always power-down the test socket before removing or inserting an IC.
Do not make or change connections while power is on.

Always ground yourself to discharge any static charge before touching the module. The devices on the module are sensitive to static electric charges and may be damaged. Use a grounding wrist strap at all times. Place all components in a static-dissipative material or shielded bag when they are not installed in the module.

Table of Contents

Introduction	1
Contents	1
Installing Software and Hardware	1
Jumpers, LEDs and Test Points	5
Graphic User Interface	6
V _{DD} , RESET & TRIGGER Controls	
Reading Configuration Data	
Programming Configuration Data	
Adjusting the Timing Capacitor (CSS555C only)	
Configuration Options	7
Decade Counter	
Operating Mode	
Power Setting	
Trip Levels	
Selecting the Timing Components	8
Optimizing for Low Power, Accuracy and Low Cost	
Monostable and Astable Examples	
Using the Timer Calculator	
Test Options	10
Using an External V _{DD}	
Reading the Configuration Data at Low Voltage	
Measuring I _{DD}	
Monostable Operation, Delay < 1msec	
Astable Operation, Multiplier = 1X	
PCB Design and Layout	12
PCB Schematic	
PCB Component Locations	
PCB Wiring Diagram	
Bill of Materials	
Reference Material	16
CSS555C Block Diagrams	
EEPROM Bit Assignments	
Monostable Operation (Standard and Extended Period Modes)	
Astable Operation (Standard and Extended Period Modes)	
Pinout Diagram and Pin Descriptions	
Troubleshooting Guide	21
Troubleshooting Table	
Removing the VCP driver	

Technical Support

This operating manual provides details for the installation and operation of the CSS555C Demo Kit. It includes troubleshooting tips. CSS555C specifications and an application note covering its serial interface are also included on the CD.

For technical questions and assistance, please contact Custom Silicon Solutions at:

Phone: (949) 797-9224

Email: TechSupport@CustomSiliconSolutions.com

Introduction

The CSS555C Demonstration Kit provides an “easy to use” tool to evaluate and program Custom Silicon Solutions’ 555 timer ICs (CSS555C & CSS555). Although the CSS555(C) can be configured as a standard 555 timer, it also has advanced features that can be enabled via its serial interface. This kit provides an intuitive graphics interface using a PC, a USB port and a custom PCB. This manual provides detailed instructions for installing software, using the tool and the design of the PCB.

Contents

- 1) Quick Start Guide (hard copy)
- 2) Eight CSS555 & CSS555C ICs (four DIP & four SOIC packages)
- 3) USB Cable
- 4) CSS555C-DMK PCB
- 5) CD containing:
 - Application software (executable & drivers)
 - CSS555C Demonstration Kit Manual
 - CSS555 & CSS555C Specifications
 - CSS555 Application Note – Serial Interface
 - CSS555 Timer Delay, Frequency and Supply Current Calculators
- 6) SOIC to DIP Adaptor

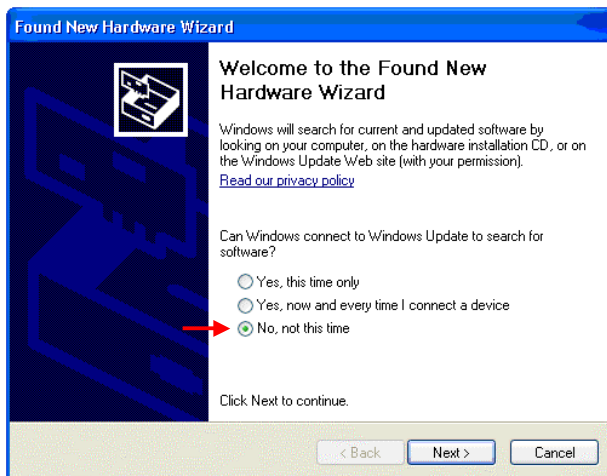
Installing Software and Hardware

System requirements:

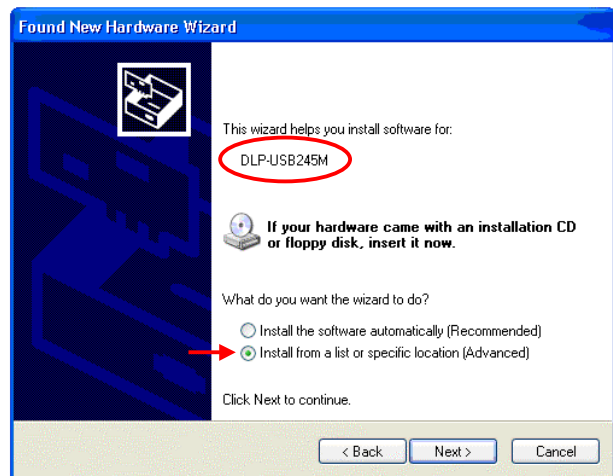
- PC running Windows 98, 2000, XP or Vista
- One USB port
- Hard drive memory - < 10 Meg

Installation:

- 1) Insert the CD and copy the folder named “CSS555C” from the CD to the PC’s hard drive.
(This folder contains the executable file, support documents and tools.)
- 2) Connect the CSS555C-DMK demo board to any of the PC’s USB ports using the supplied cable.
- 3) Wait for Windows to display the “Found New Hardware Wizard”. (see Step 3 below)
The wizard will then prepare to install drivers for the Serial Interface module.
Select the 3rd option, Click “Next >” (Note – some versions of Windows will skip this prompt.)
- 4) The wizard will identify the hardware it found (DLP-USB245M)
Check the box for “Install from a list or specific location (Advanced)”, Click “Next >”



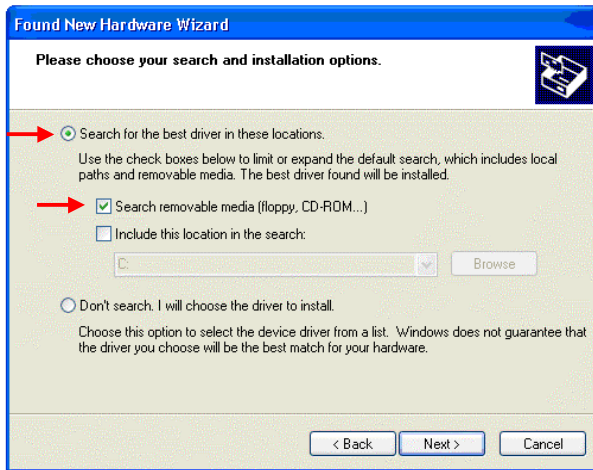
Step 3



Step 4

Installing Software and Hardware (cont.)

- 5) Specify the location of the drivers:
 - Select “Search for the best driver in these locations.”
 - Check the “Search removable media box”. Click “Next >”
- 6) Install drivers:
 - The Wizard will search the CD for the best driver and install it.
 - The dialog box will momentarily display the files that are being copied to the PC.
 - When installation of the USB Serial Converter drivers has been completed, click “Finish”



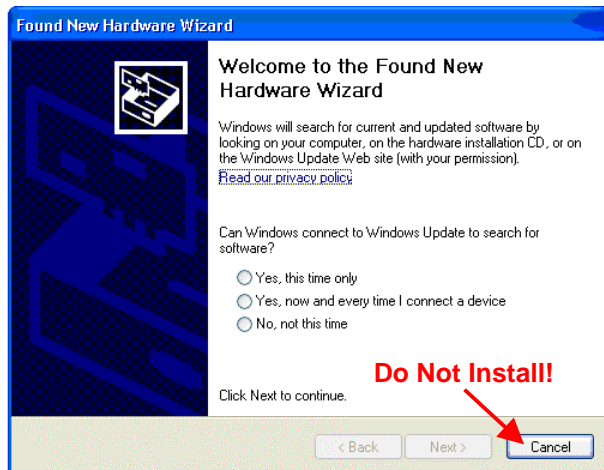
Step 5



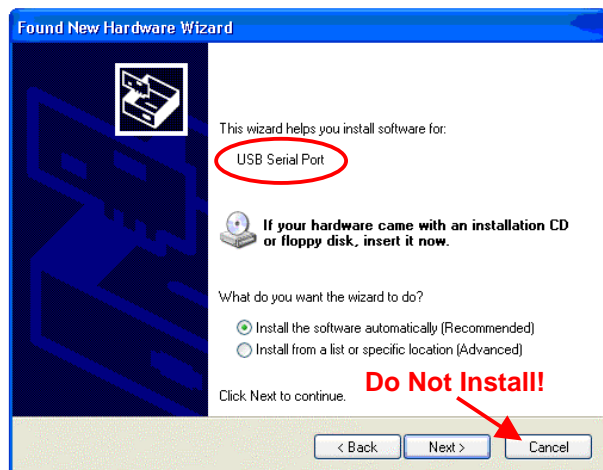
Step 6

- 7) USB Serial Port driver
 - After the USB Serial Converter driver is installed, a prompt to install a USB Serial Port driver will appear. **Do Not Install this driver!** Click “Cancel” (The display may be as shown in Step 7A or 7B)
 - Note:** The 2nd driver is for a “Virtual COM Port” (VCP), which is not needed and may interfere with the USB Serial Converter just installed. Installing this driver may cause the Read and Program operations to be erratic. To inhibit this prompt every time the hardware is connected to the USB port, uncheck the “Load VCP” box located in the Serial Converter’s advanced properties tab. (See step 8) (You may also simply ignore the prompt and click “Cancel”).

If the VCP driver has been installed inadvertently, see “Removing Drivers” in the Troubleshooting section.



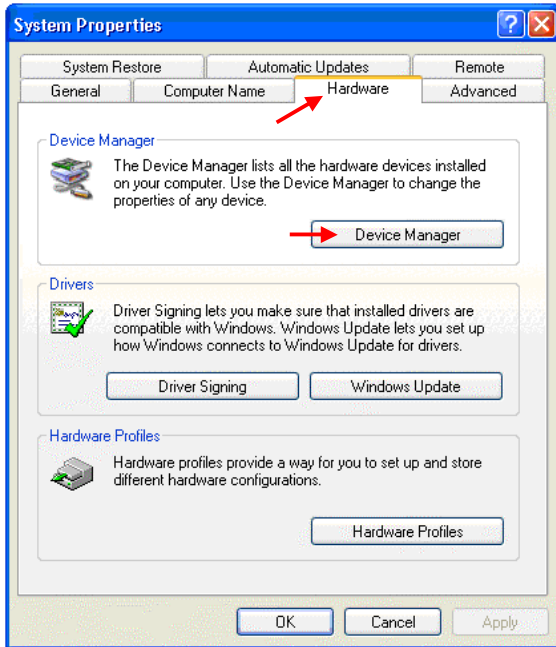
Step 7A



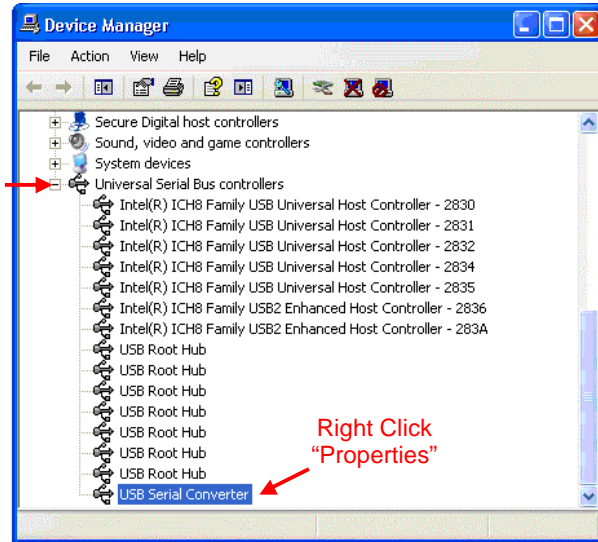
Step 7B

Installing Software and Hardware (cont.)

- 8) Inhibiting the prompt to install the USB Serial Port driver (optional)
 - Open the Control Panel and select System Properties
 - Select the "Hardware" tab, Click "Device Manager" (Step 8A)
 - Scroll down to the "Universal Serial Bus controllers" and Expand that group (Step 8B)
 - Right click on "USB Serial Converter", Click on "Properties"

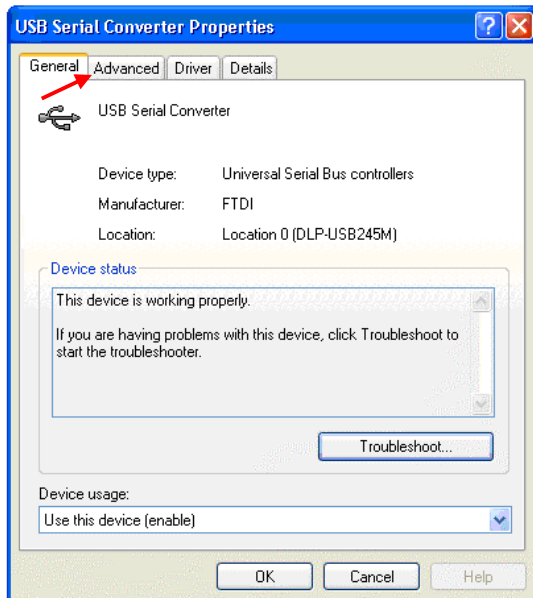


Step 8A

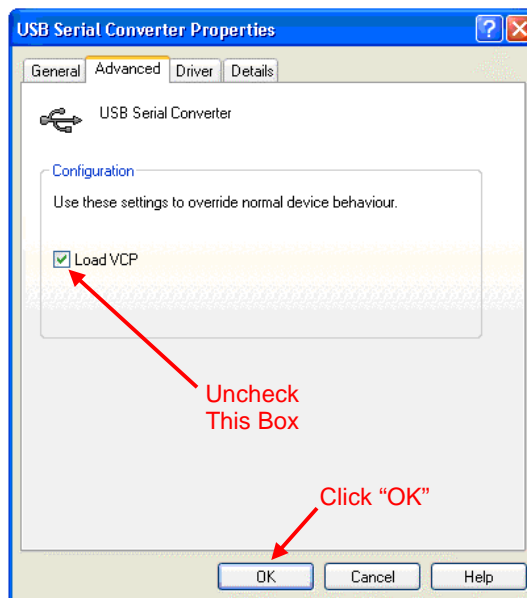


Step 8B

- Select the "Advanced" tab (Step 8C)
- The "Load VCP" box is checked. Uncheck it. (Step 8D)
- Click "OK" and exit the Device Manager. Click "OK" and exit "System Properties".



Step 8C



Step 8D

Installing Software and Hardware (cont.)

After the drivers have been installed, run the CSS555C Demo program and test the USB interface.

With the Demo Board connected to the PC,

Go to the CSS555C folder, double click "CSS555C_DemoKit.exe"

The dialog box shown below will be displayed.

Click the "Device Power" ON/OFF buttons and toggle the red LED.

With Power = ON, Click "Read Device". The current settings will be displayed.

(If a CSS555C is installed, the "Trim Capacitor" section will be enabled.)

Detailed instructions for the dialog box are provided in the "Graphic User Interface" section. (Page 6)

SOIC Socket Adapter

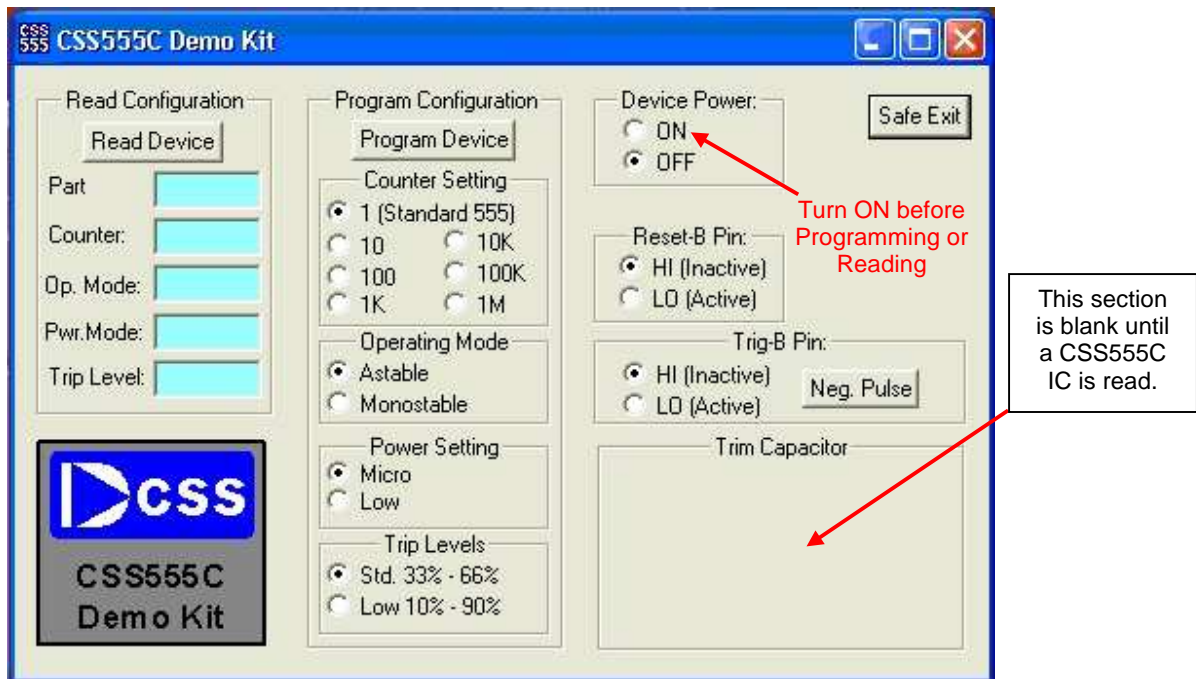
The Demo Kit comes with an SOIC to DIP socket adapter. Yada yada...

Notes:

The Demo Board must be connected to the USB port before running the program. The program starts by running an initialization routine. If the Demo Board does not respond, two errors will be displayed: "Could not open a device" and "Error writing data to target". Click "OK", connect the Demo Board to the USB port and try again.

When the Demo Board is first connected to the USB port, the red and green LEDs will be ON. This is normal. After the CSS555C_Demo program is run, the red LED will be OFF, indicating that the initialization routine completed normally and the V_{DD} supply to the IC has been turned off. Before attempting to read or program the device, turn V_{DD} on using the "Device Power" control.

If the dialog box is not displayed after running "CSS555C_DemoKit.exe" or the red LED does not toggle when clicking the "Device Power" buttons, please refer to the Troubleshooting Guide for help. If you still can't resolve the problem, contact CSS's Technical Support. (For Tech Support, see Page i.)



Graphic User Interface (GUI) at Start-up

Jumpers, LEDs and Test Points

The following tables summarize the functions of the board's jumpers, LEDs and test points. (Please refer to the "PCB Component Locations" on page 13 to locate their positions.)

Jumpers allow users to manually configure the module for their own, unique application. Jumper JP1 allows a current meter to be added in the IC's power supply line so that I_{DD} can be monitored. Jumper JP3 allows the PC to control the TRIGGER input and is required for programming and reading the configuration data. It also allows the PC to trigger a monostable timing cycle and enable astable operation when the internal counter is enabled. For 1X astable operation, the TRIGGER pin needs to be connected to the THRESHOLD pin. Removing JP3 and installing JP2 disconnects TRIGGER from the PC and connects it to THRESHOLD. (Make sure to switch the jumper back in order to program or read the device.)

Jumper Summary

Jumper	Function
JP1	V_{DD} isolation (for I_{DD} measurement)
JP2	Connect TRIG to THRESHOLD (1X astable mode only)
JP3	Connect TRIG to serial interface (PC controls TRIG)

The LEDs provide a quick monitoring capability for power supply status and the state of the timer output. The function of each LED is listed in the table below.

LED Summary

LED	Function
D1 - Green	+5V USB power supply (ON when +5V is present)
D2 - Red	V_{DD} power to timer IC (ON when present)
D3 - Blue	Timer Output (ON when $TIMER\ OUT = 1$)

Each of the CSS555C's pins is brought to a test point to provide easy access for scope probes and test equipment. The first table lists the normal 555 function for each pin. The second table shows the function of each pin during a Read or Program cycle. (The Read and Program modes are enabled by forcing pin 5 (CONTROL V) to GND.)

Test Points (Normal 555 Mode)

Test Point	Signal
TP1	GND
TP2	TRIGGER
TP3	TIMER OUT
TP4	RESET
TP5	CONTROL V
TP6	THRESHOLD
TP7	DISCHARGE
TP8	V_{DD}

Test Points (Read/Program Modes)

Test Point	Signal
TP1	GND
TP2	SERIAL CLOCK
TP3	DATA OUT
TP4	DATA IN
TP5	READ/PROG ENABLEB
TP6	THRESHOLD
TP7	DISCHARGE
TP8	V_{DD}

Graphic User Interface

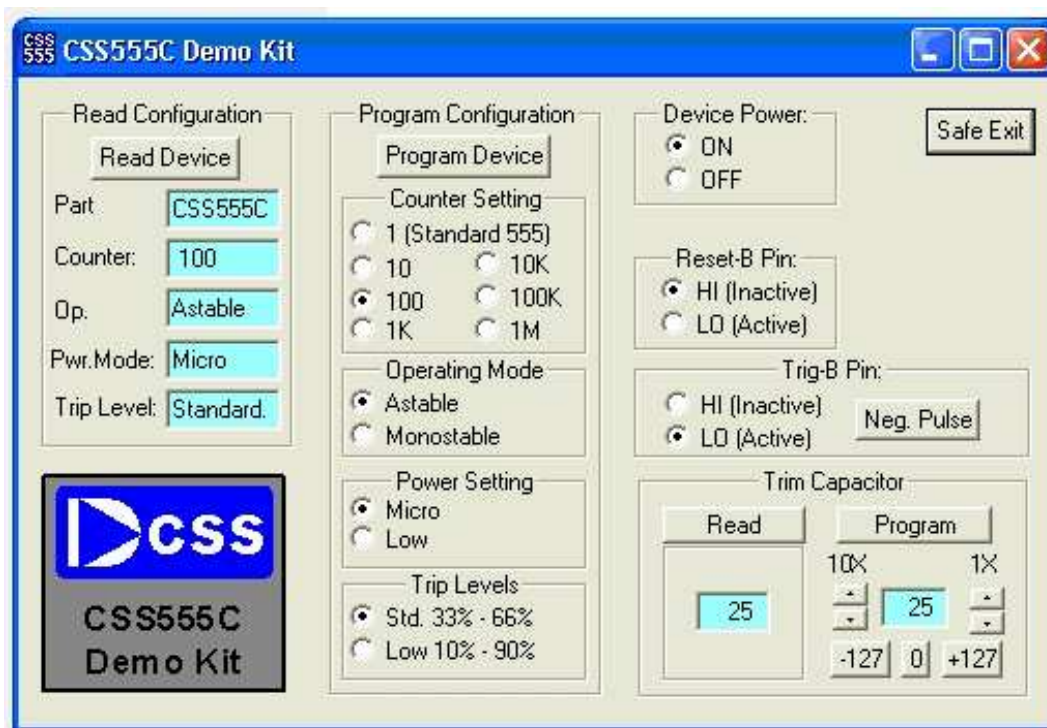
The Graphic User Interface (GUI) allows the user to enable and disable the CSS555's power supply (V_{DD}) and set the logic level of the RESET and TRIGGER signals. It also provides read/write access to the internal EEPROM. The EEPROM stores configuration data for the various operating modes. For the CSS555C device, it also stores the trim setting for the internal 100pF timing capacitor.

V_{DD} , Reset & Trigger Controls

Device power, RESET and TRIGGER are controlled using the GUI dialog box (shown below). Clicking the "Device Power ON" button enables the V_{DD} supply. The state of the V_{DD} supply is indicated by the red LED. ("ON" = Enabled).

The RESET and TRIGGER signals may be set high or low by clicking on their "HI/LO" buttons. Both signals are active low. To trigger a single delay pulse, click on the "Neg. Pulse" button. A single, 1 millisecond pulse will be applied to the TRIGGER pin. Please refer to the Application Information section (pages 17 & 18) for descriptions of the Monostable and Astable operating modes.

The "Safe Exit" button disables the V_{DD} supply and ends the program.



Graphic User Interface (GUI)

Reading Configuration Data

To read the current configuration settings, press the "Read Device" button. (Make sure that power has been enabled. The red LED should be ON.) Configuration data is then read and displayed in the dialog box shown above.

Programming Configuration Data

To change the configuration data, use the "Program Configuration" dialog box shown above. Select the desired Counter, Operating Mode, Power and Trip Level settings. Make sure power has been enabled (Red LED = ON). Press "Program Device". To check the new settings, use the "Read Device" command. (A summary of the configuration options is provided in the next section.)

Graphic User Interface (cont.)

Adjusting the Timing Capacitor (CSS555C only)

The internal timing capacitor (C_T) is trimmed at the factory to 100pF $\pm 1\%$. In most applications, it does not need any further adjustment. However, it may be trimmed by the user to compensate for errors in the values of R_A and R_B . The “Trim Capacitor” section of the dialog box provides access to C_T 's trim setting. The trim setting has a range of ± 127 , with 0 being approximately 100pF. Changing the trim setting by one count corresponds to approximately a 1/8 pF change in C_T .

Note: The internal 100pF timing capacitor is only available in the CSS555C device. The internal timing capacitor is not available in the CSS555 IC. (The MSB of the configuration data indicates the part type.) The “Trim Capacitor” section of the dialog box will be blank if a CSS555 part is detected. This indicates that trimming the internal timing capacitor is not available for the CSS555 part type.

Configuration Options

Decade Counter (C_T Multiplier)

A six-decade programmable counter is available for generating long time delays or low frequency clocks. It effectively multiplies the value of the timing capacitor (C_T) by the multiplier setting. Three EEPROM bits select one of seven possible multiplier values. (1, 10, 100, 1K, 10K, 100K and 1M) With this range of counter values, the internal 100pF timing capacitor can generate time delays that are equivalent to delays provided by capacitors from 100pF to 100uF. Delay times lasting minutes, hours or days are easily realized. (If the multiplier value is set to 1, the decade counter is disabled and the CSS555 functions like a standard 555 timer. For more details, see the specification.)

Operating Mode (Astable or Monostable)

If the counter setting equals one, the decade counter is bypassed and the CSS555 functions as a standard 555 timer. The operating mode, Astable or Monostable, is determined by the external connections. (The configuration setting has no affect.)

If the counter setting is greater than one, the operating mode is set internally. If the monostable mode is selected, pulsing the TRIGGER input low initiates a single output pulse. The duration of the pulse is equal to N oscillator cycles, where N equals the counter (multiplier) setting. If the astable mode is selected and TRIGGER is held low, the timer output will be a continuous clock. The output frequency is divided by the multiplier setting. Pulsing the TRIGGER pin low in the astable mode produces a single output clock. Since the output clock starts with the low half of the clock cycle, this mode can be used to generate a delayed pulse (A delayed output pulse typically takes two 555's to implement.)

Power Setting (Micro-power or Low-power)

The power level can be optimized for low power or high speed. When the “Micro-power” setting is selected, the operating current is approximately 2uA at 1.5V, 4.5uA at 5.0V. For applications where high speed is required, the “Low power” setting should be used. At this setting, the operating current is about 12uA at 1.5V and 25uA at 5.0V. (These current levels are for the IC only – current associated with the timing resistors or the load at the timer output must be added to get the total circuit power.)

Trip Levels (Standard or Low Voltage)

The standard trip levels for almost all 555 timers are $\frac{1}{3}$ and $\frac{2}{3}$ of V_{DD} . To extend the operating range at low supply voltages, the trip levels can be changed to 10% and 90% of V_{DD} . The “Low Voltage” trip levels should be used whenever V_{DD} is less than 1.8V. When these levels are selected, the delay time is about 2X longer if Multiplier = 1 and about 3X longer if Multiplier > 1. (See the spec or the Timer Calculator for exact values.)

Configuration Options (cont.)

Summary of Configuration Options

Option Name	Configuration Settings	Description
Counter Setting	Mult = 1	Configure as a standard 555 (internal decade counter is disabled)
	Mult = 10, 100... 1M	Enable internal decade counter & select Multiplier setting
Operating Mode	If Mult = 1	This setting is a "Don't Care"
	Astable (Mult > 1)	Free-running oscillator, enabled when TRIGGER = 0
	Monostable (Mult > 1)	Single output pulse, initiated by falling edge of TRIGGER
Power Setting	Micro-power	Lowest power setting ($I_{DD} = 2\mu A$ to $5\mu A$)
	Low-power	Higher power setting for higher speed ($I_{DD} = 10\mu A$ to $25\mu A$)
Trip Levels	Standard	Trip levels = $\frac{1}{3} \times V_{DD}$ & $\frac{2}{3} \times V_{DD}$ (standard 555 levels)
	Low Voltage	Trip levels = 10% & 90% of V_{DD} (use if $V_{DD} < 1.8V$)

Selecting the Timing Components (R_A , R_B and C_T)

Optimizing for Low Power, Accuracy and Low Cost

The following tables show the wide range of Delay Times and Oscillator Frequencies that are possible. By using the internal decade counter, the effective value of the timing capacitor can be multiplied by up to 1 million, making a 100pF capacitor "look like" a 100uF capacitor. Delay times from several microseconds to hundreds of hours are easily realized.

To minimize power, the value of R_A should be as high as practical. Its maximum value is usually limited by leakage current at the PCB level. A maximum value of several megohms is typical. (Reducing V_{DD} , if that is an option, also minimizes power.) The value of the timing capacitor (C_T) is selected to generate the desired delay time or frequency. By using the internal decade counter, C_T can be orders of magnitude smaller than what would be required with a standard 555 timer. Reducing the value of C_T saves board space and money.

Monostable Delay Time Examples

Trip Levels	Multiplier Setting						
	1	10	100	1K	10K	100K	1M
$C_{TI} = 100pF$, No C_{TX}, R_A, $R_B = 1M\Omega$ (Demo Kit default values)							
1/3, 2/3	0.22 msec	2.1 msec	21 msec	210 msec	2.1 sec	21 sec	3.5 min
10%, 90%	0.46 msec	6.4 msec	66 msec	660 msec	6.6 sec	66 sec	11.0 min
$C_{TI} = 100pF$, No C_{TX}, R_A, $R_B = 10K\Omega$ (Low impedance R_A, R_B for short delays)							
1/3, 2/3	2.2 usec	21 usec	210 usec	2.1 msec	21 msec	210 msec	2.1 sec
10%, 90%	4.6 usec	64 usec	660 usec	6.6 msec	66 msec	660 msec	6.6 sec
$C_{TI} = 100pF$, $C_{TX} = 0.1\mu F$, R_A, $R_B = 2.5M\Omega$ (High impedance R_A, R_B & external C_T for long delays)							
1/3, 2/3	0.55 sec	5.2 sec	52 sec	8.7 min	87 min	14.4 hours	144 hours
10%, 90%	1.15 sec	16.0 sec	164 sec	27.5 min	275 min	45.8 hours	458 hours

Astable Frequency Examples


Trip Levels	Multiplier Setting						
	1	10	100	1K	10K	100K	1M
$C_{TI} = 100pF$, No C_{TX}, R_A, $R_B = 1M\Omega$ (Demo Kit default values)							
1/3, 2/3	4.81 KHz	481 Hz	48.1 Hz	4.81 Hz	0.481 Hz	0.0481 Hz	0.0048 Hz
10%, 90%	1.52 KHz	152 Hz	15.2 Hz	1.52 Hz	0.152 Hz	0.015 Hz	0.0015 Hz
$C_{TI} = 100pF$, No C_{TX}, R_A, $R_B = 10K\Omega$ (Low impedance R_A, R_B for high frequency)							
1/3, 2/3	481 KHz	48.1 KHz	4.81 KHz	481 Hz	48.1 Hz	4.81 Hz	0.48 Hz
10%, 90%	152 KHz	15.2 KHz	1.52 KHz	152 Hz	15.2 Hz	1.52 Hz	0.15 Hz

Selecting the Timing Components (Cont.)

Using the Timer Calculator

The "CSS555 Timer Calculator" is located in the "Tools" folder. This file is an Excel spreadsheet that is a design aid for selecting R_A , R_B and if required, an external timing capacitor (C_T). It calculates the timing parameters and supply current. It allows the circuit design to be optimized quickly and easily.

The timing components and configuration settings are entered in the green boxes. Resistor values may be entered in K ohms or Meg ohms, values for the timing capacitor (C_T) can be entered in pF, nF or uF. If the operating mode is "Astable", the output Period, Frequency and Duty Cycle are calculated and listed in the blue boxes. If "Monostable" operation is selected, the output delay and recovery times are shown. For either mode of operation, the Idle and Active supply currents are also provided. (The current associated with the timing components is included. A small, capacitive load is assumed for the Timer Output pin and is therefore negligible.)



CSS555 Timer Calculator

for CSS555 & CSS555C
CustomSiliconSolutions.com

GREEN	= Input Value
BLUE	= Calculated Value

Application Information

Operating Mode = Astable ▾

Supply Voltage = 3.00 v

Timing Components

		Units
R_A =	1.00	Meg ▾
R_B =	1.00	Meg ▾
C_T =	100.00	pF ▾
Multiplier =	1K	▾

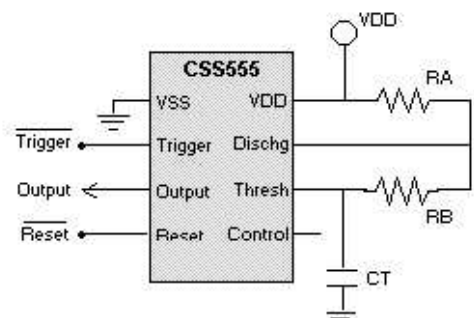
Calculated Timing Values

		Units
Output Period =	0.21	sec ▾
Output Frequency =	4.81	Hz
Output Duty Cycle =	50.0	%

Idle Current = 5.80 uA (RESET = 0, Oscillator disabled)

Active Current = 3.28 uA (RESET = 1, Oscillator running)

9/17/08



CSS555 Timer Calculator

Notes:

If a supply voltage less than 1.8V is entered, the "Low Voltage" trip levels (10% & 90%) are selected and the timer output calculations are adjusted accordingly.

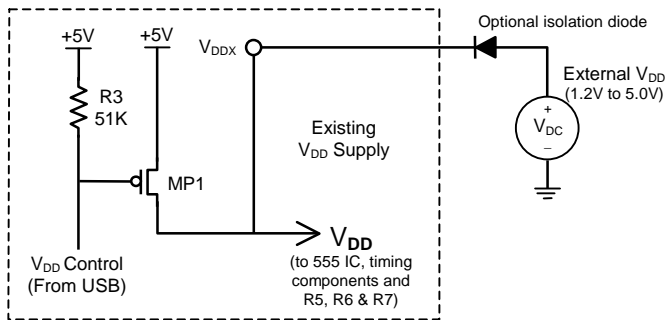
The supply current calculation assumes that the Power Level is set for "Micro-power". If the Low-power setting is selected, add 15uA to both values (Idle and Active).

Test Options

Using an External V_{DD}

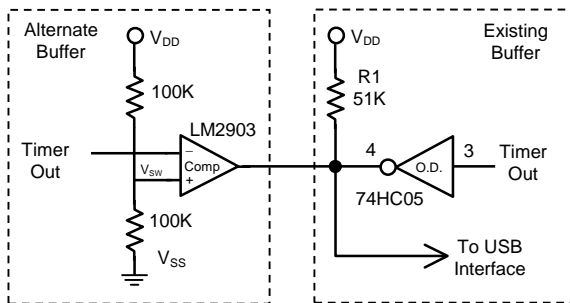
The default V_{DD} supply is +5.0V. To operate the 555 timer at lower voltages, disable the internal supply (using the GUI) and connect an external DC supply (or battery) to the V_{DD} line. An extra through-hole is available in the proto area for this purpose.

Caution: To avoid damaging the PCB, the external supply should never be connected to V_{DD} when the internal supply is enabled. Always disconnect the external supply before starting/stopping the GUI program. (A series diode can be used to isolate the supplies.)



Reading the Configuration Data at Low Voltage

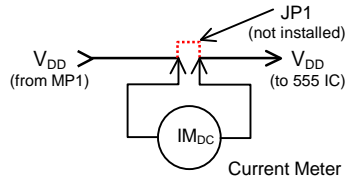
The 74HC05 hex inverter is powered by the +5V supply. Its input switch level is about $+V/2$, or 2.5V. If the supply voltage to the CSS555C IC is less than 3.0V, an alternate buffer circuit is required.



Test Options (cont.)

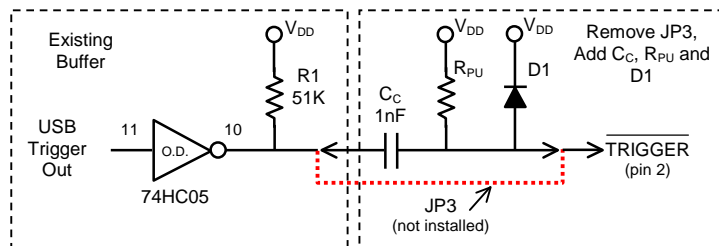
Measuring I_{DD}

The supply current of the CSS555C can be monitored by removing jumper JP1 and replacing it with a current meter.



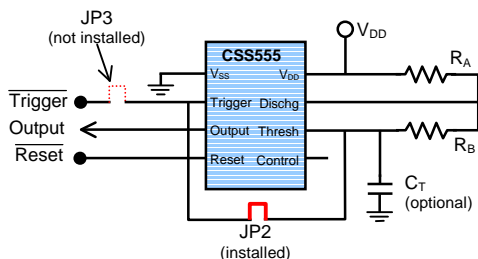
Monostable Operation, Delay < 1msec

The USB protocol limits the minimum trigger pulse to 1 msec. For shorter delay times, the circuit shown below should be used. Typical values for R_{PU} are 1K to 10K. (JP3 must be reinstated to program.)

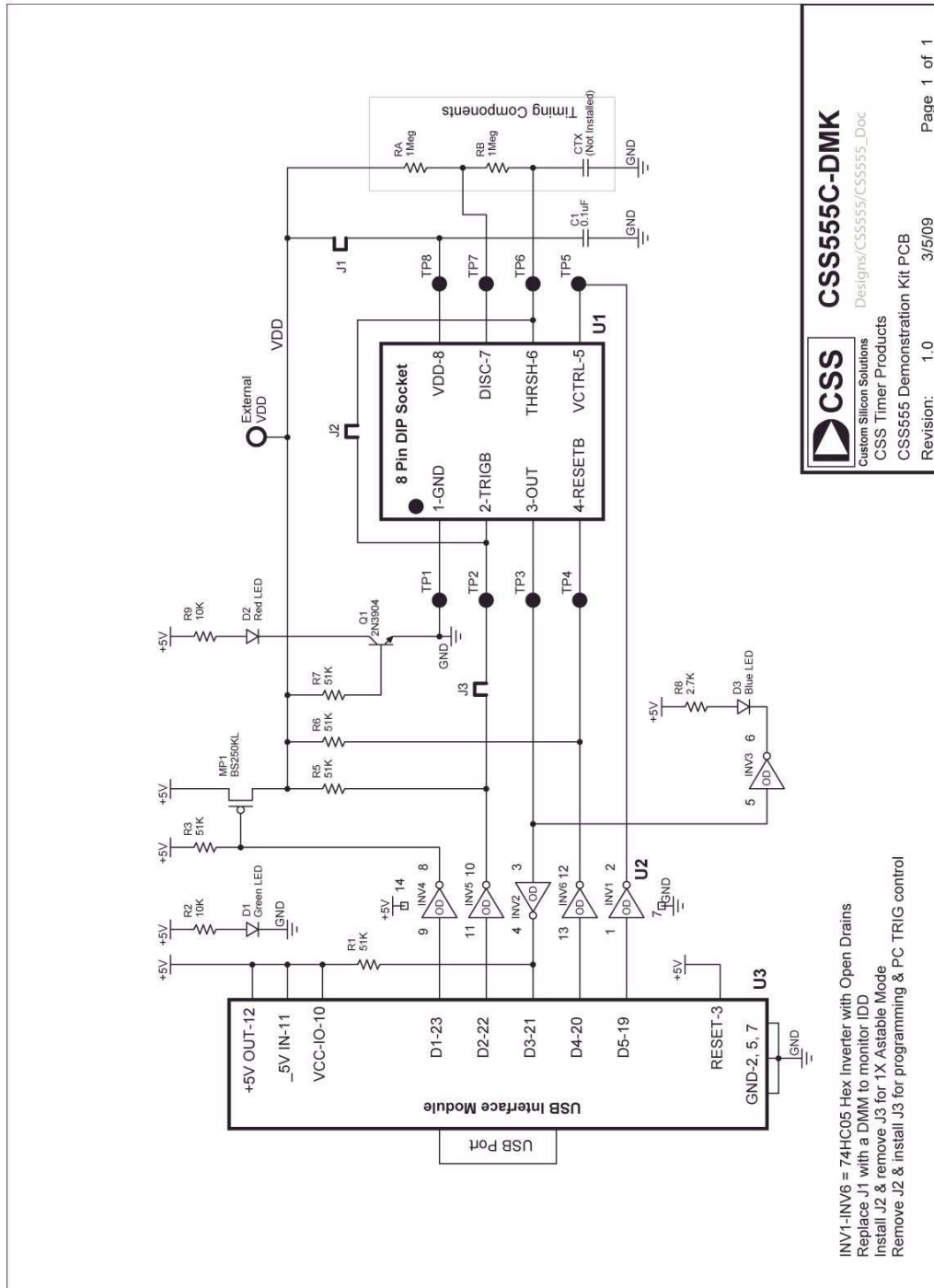


Astable Operation, Multiplier = 1X

For ASTABLE operation with a multiplier setting of 1X (counter bypassed, standard 555 operating mode) remove JP3 and install JP2. This will disconnect TRIGGER from the USB interface and connect it to THRESHOLD (pin 6). (JP3 must be reinstated to program.)



PCB Schematic



CSS
Custom Silicon Solutions
CSS Timer Products
CSS5555 Demonstration Kit PCB

CSS555C-DMK
Designs/CSS5555/CSS5555_Doc

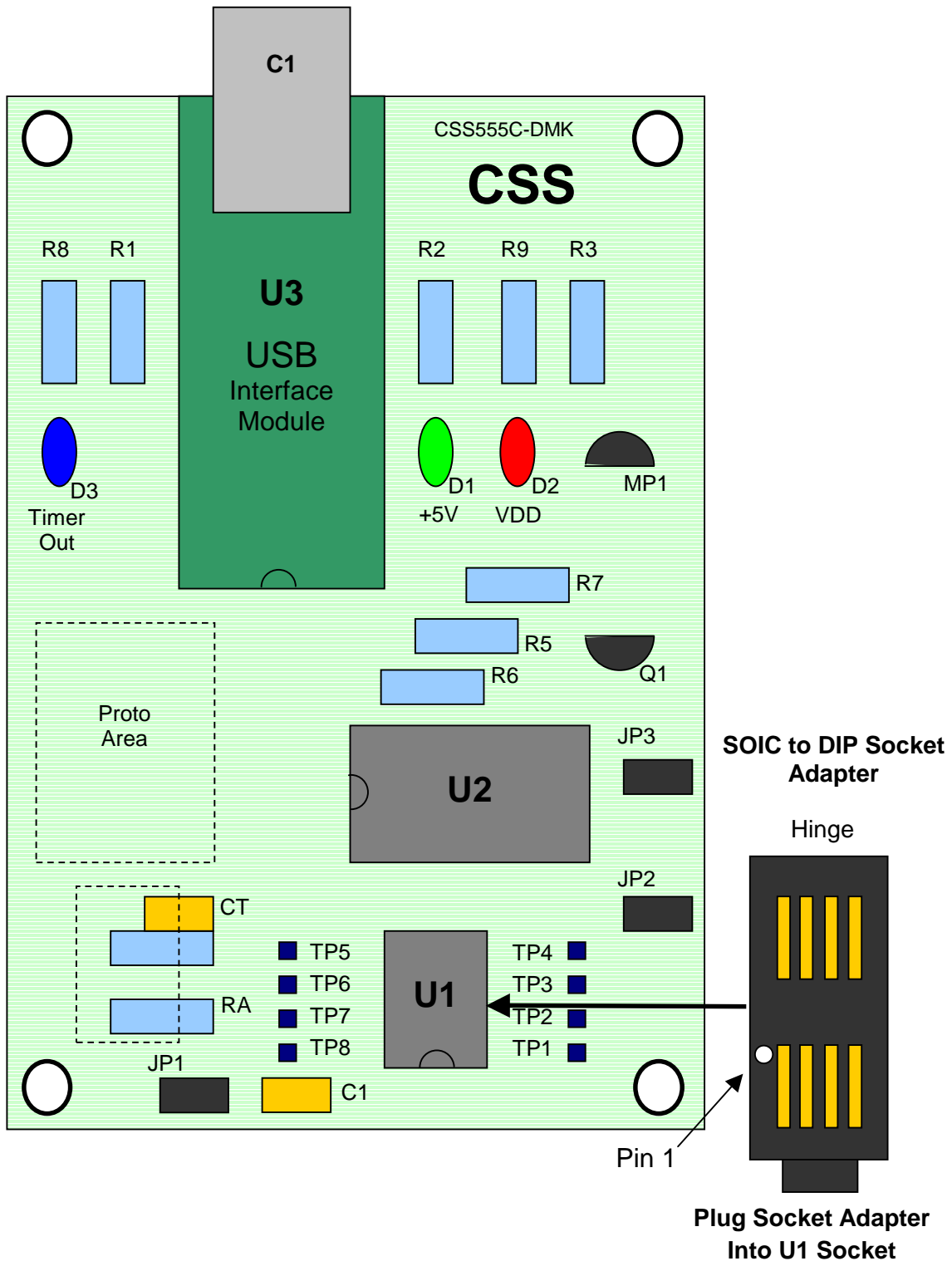
Revision: 1.0 3/5/09 Page 1 of 1

INV1-INV6 = 74HC05 Hex Inverter with Open Drains
Replace J1 with a DMM to monitor IDD
Install J2 & remove J3 for 1X Astable Mode
Remove J2 & install J3 for programming & PC TRIG control

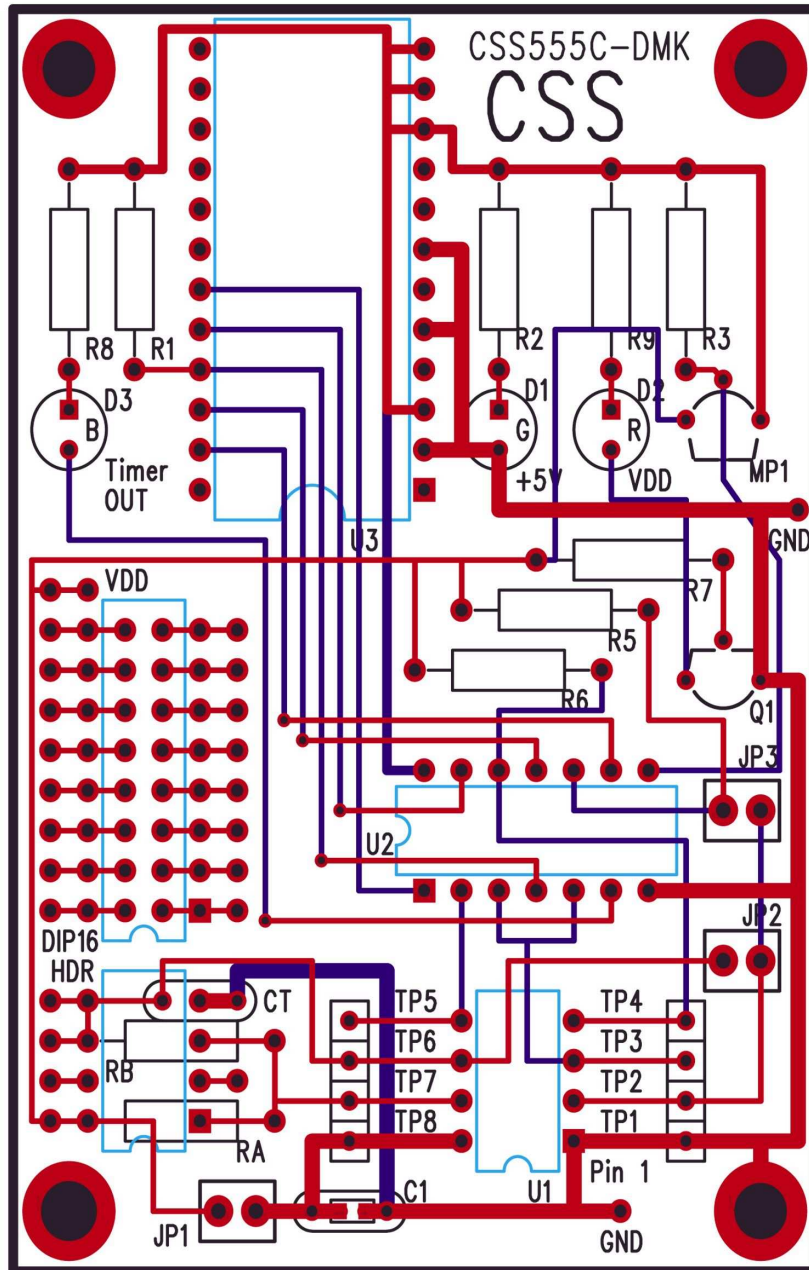
Note: There is a provision for an external timing capacitor (C_{TX}), but the PCB is shipped without it installed. This is to allow the internal 100pF timing capacitor to be evaluated without a parallel off-chip capacitor.

PCB Design and Layout (cont.)

PCB Component Locations



PCB Wiring Diagram



- Notes:** Red = Top-side metal
Blue = Bottom-side metal
Bottom-right mounting hole is tied to GND

PCB Design and Layout (cont.)

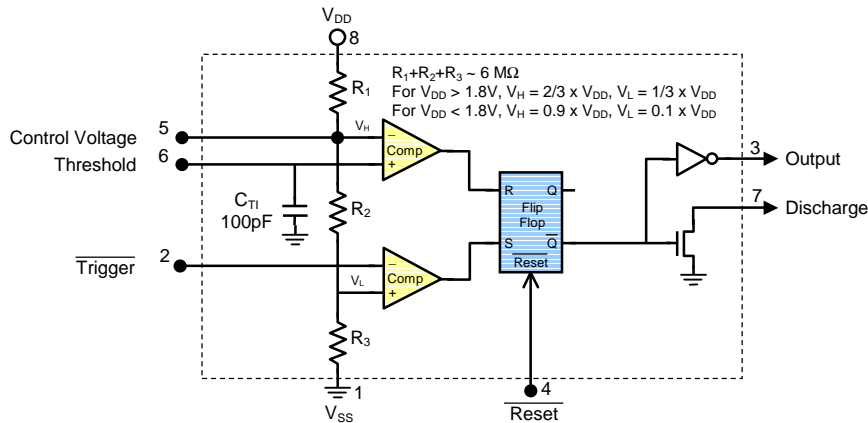
Bill of Materials

Qty	Instance	Description	Manufacturer	Part Number
1	U1	CSS555C timer IC	CSS	CSS555C
1	U2	Hex inverter (open drain outputs)	Texas Instruments	74AHC05
1	U3	USB Interface module	DLP Design	DLP-USB245M-G
5	R1, R3, R5-R7	Resistor, 51K Ω , 1/4W, 1%	Yageo	MFR-25FBB-2K80
2	R2, R9	Resistor, 10K Ω , 1/4W, 1%	Yageo	MFR-25FBB-10K
1	R8	Resistor, 2.8K Ω , 1/4W, 1%	Yageo	MFR-25FBB-51K1
2	RA, RB	Resistor, 1M Ω , 1/4W, 1%	Yageo	MFR-25FBB-1M00
1	C1	Capacitor, 0.1 μ F, 50V, 20%	Kemet	C322C104M5U5TA
1	CT	Timing capacitor, Not installed		
1	D1	LED, Green (5mm, oval)	Optek	OVLHGKD8
1	D2	LED, Red (5mm, oval)	Optek	OVLHRKD8
1	D3	LED, Blue (5mm, oval)	Optek	OVLHBKD8
1	MP1	Pch FET	Vishay	BS250KL-TR1-E3
1	Q1	Bipolar transistor, NPN	Fairchild Semi.	2N3904BU
1	S1	DIP socket, 8 pin	Mill-Max	110-93-308-41-001000
3	JP1-JP3	Jumpers	On Shore Tech	PH2-224/100
2	TP1-TP8	Connector, Header, 4-pos, 100 mil, VERT	Phoenix Enterprises	HWS15856

Reference Material

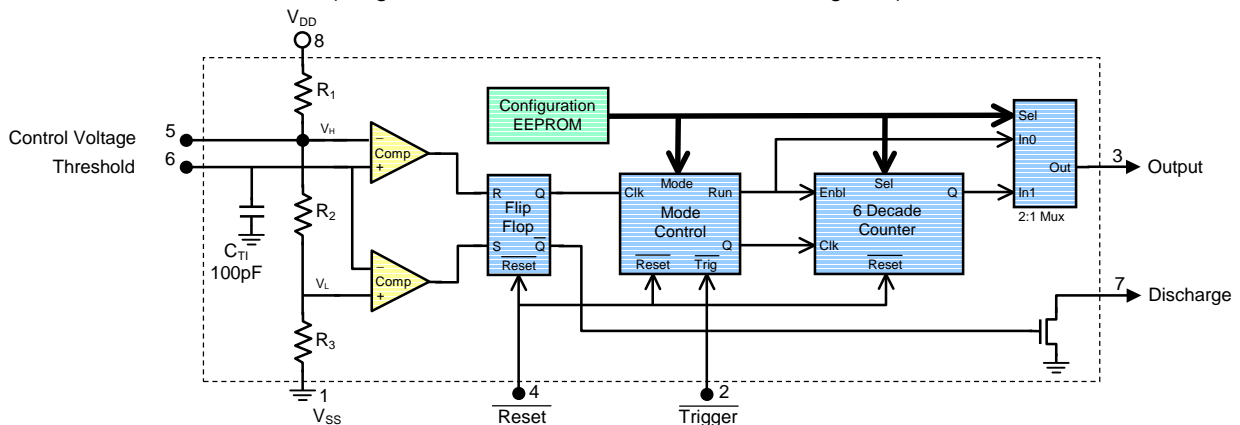
Block Diagram – Standard 555 Timer Configuration

(Programmable counter bypassed, Divider setting = 1)



Block Diagram - Extended Period Configuration

(Programmable counter enabled, Divider setting ≥ 10)



EEPROM Bit Assignments

Counter Configuration	Divider Setting (Mult)
xxxxx000	1 (Std. 555)
xxxxx001	10
xxxxx010	100
xxxxx011	1K
xxxxx100	10K
xxxxx101	100K
xxxxx110	1M
xxxxx111	1 (Std. 555)

Mode Control Bits	Function
xxxx0xxx	Astable Mode ("Don't Care" if Std. 555)
xxxx1xxx	Monostable Mode ("Don't Care" if Std. 555)
xxx0xxxx	Micro Power
xxx1xxxx	Low Power
xx0xxxxx	Standard Voltage (Trip levels = $1/3$ & $2/3 V_{DD}$)
xx1xxxxx	Low Voltage (Trip levels = 10% & 90% V_{DD})
Bit 6	Unused
Bit 7	0 if CSS555, 1 if CSS555C (Read Only)

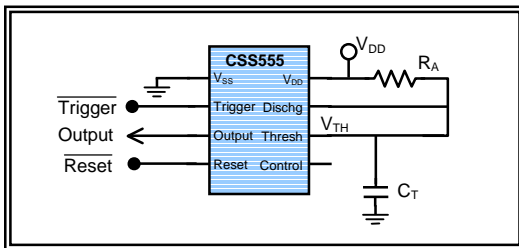
Note: For detailed programming information, see Application Note AN555-1 (CSS555_App_Note1_Serial_Interface)

Reference Material (cont.)

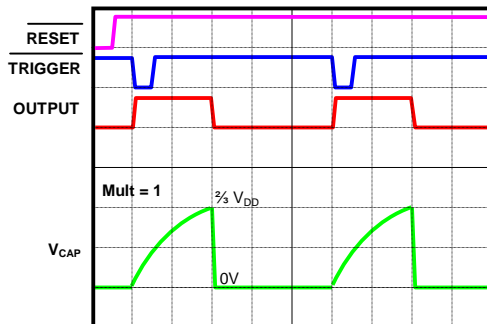
Monostable Operation

(Standard 555 Mode)

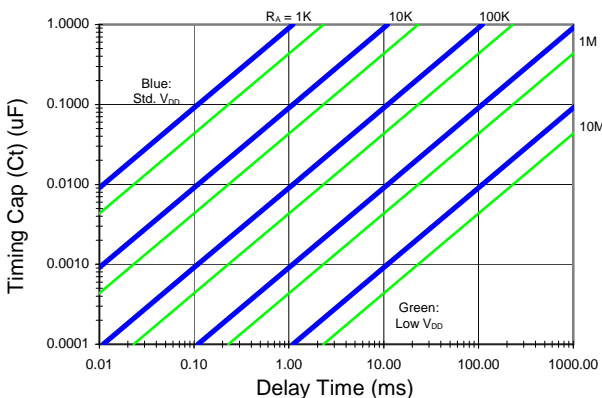
The circuit shown below is a monostable or “one shot” configuration. A single, positive output pulse is generated on the falling edge of the TRIGGER input. When TRIGGER goes low, a flip-flop is set, the OUTPUT pin is set high and DISCHARGE allows the timing capacitor to charge towards V_{DD} via R_A . When V_{TH} reaches the upper comparator trip level, the flip-flop is reset, OUTPUT is forced low and DISCHARGE pulls V_{TH} to GND. After V_{TH} has discharged, the circuit is ready for the next trigger pulse. Typical signal waveforms are shown below.



Monostable Circuit (Standard Mode)



Monostable Waveforms (Standard Mode)

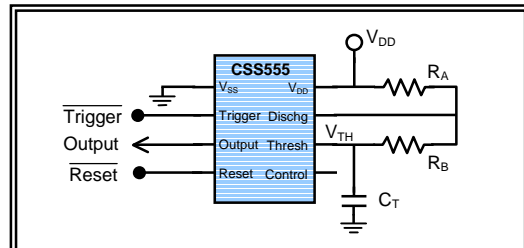


Time Delay Chart

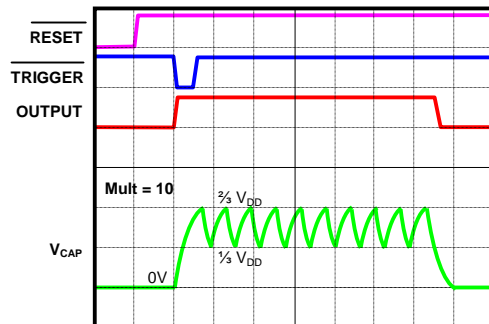
Monostable Operation

(Extended Period or “EP” Mode)

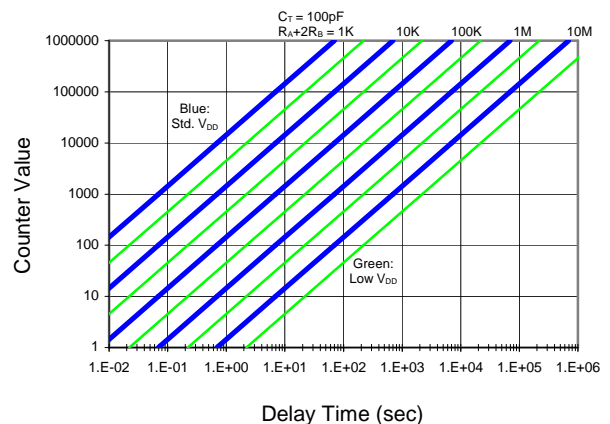
For longer time delays, the circuit shown below uses the internal decade counter to effectively multiply the value of the timing capacitor. Three bits in the EEPROM select a multiplier value from 10^1 to 10^6 . The 555 analog block is configured as a free running oscillator, which is the input clock to the counter. On the falling edge of TRIGGER, the 555 oscillator is enabled, OUTPUT is set high, the decade counter is enabled and a new timing cycle begins. The timing cycle ends when the counter reaches the selected terminal count. Waveforms for an extended delay cycle are shown below.



Extended Period Delay Circuit



Extended Period Waveforms



Extended Period Delay Chart

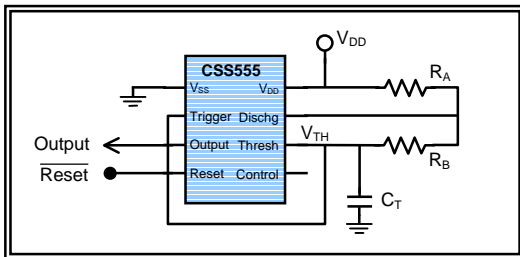
Reference Material (cont.)

Astable Operation

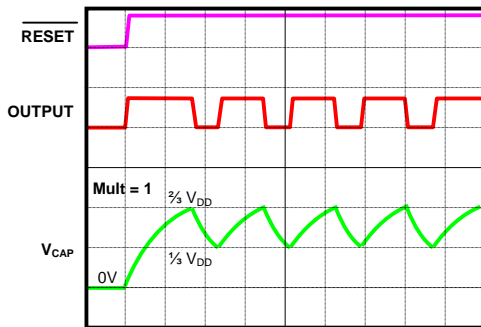
(Standard 555 Mode)

The circuit shown below is an astable or “free running oscillator” configuration. If the counter setting equals one, the counter is bypassed and the device operates like a standard 555 timer. With the TRIGGER input tied to THRESHOLD, a new timing cycle is started each time V_{TH} drops below the lower comparator trip level.

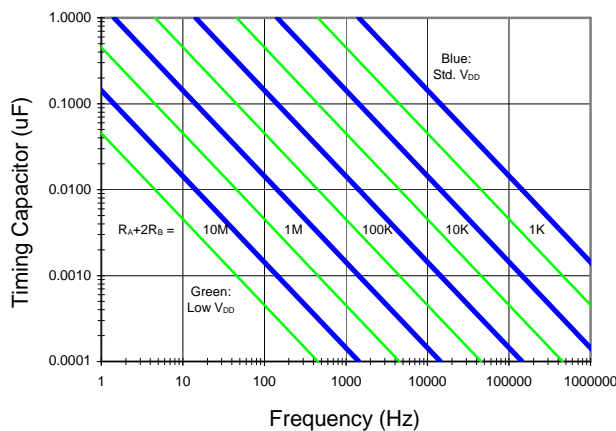
Note: A “Timer Calculator” is available for these circuits in the “Tools” folder on the CD. Open the file “CSS555_Timer_Delay_Calculator.xls”.



Astable Circuit (Standard Mode)



Astable Waveforms (Standard Mode)

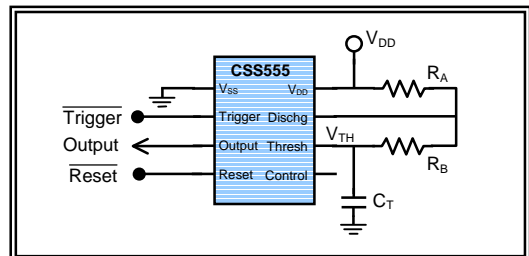


Astable Frequency Chart (Standard Mode)

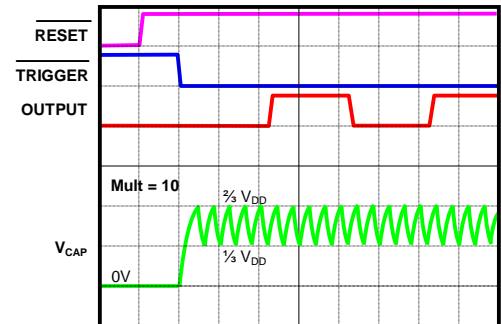
Astable Operation

(Extended Period or “EP” Mode)

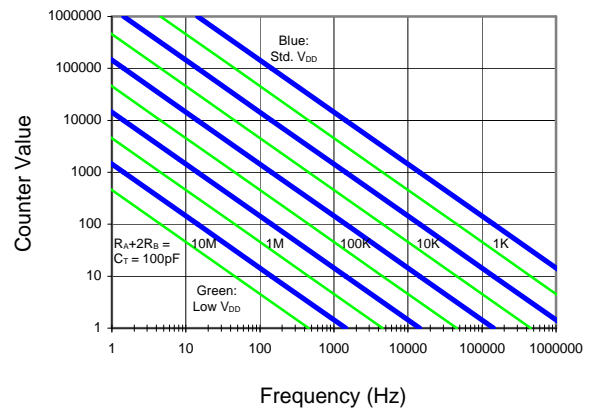
The circuit shown below employs the internal decade counter to divide the 555 oscillator frequency by the multiplier setting. The multiplier value, 10 to 10^6 , is selected by the EEPROM. The 555 analog block is configured as a free running oscillator, which supplies the input clock to the counter. The oscillator runs when RESET is high and TRIGGER is low. Each stage of the decade counter consists of a divide by 5 followed by a divide by 2. This configuration provides a 50% output duty cycle no matter which multiplier setting is selected. Waveforms for this mode are shown below.



Astable Circuit (EP Mode)



Astable Waveforms (EP Mode)



Astable Frequency Chart (EP Mode)

Reference Material (cont.)

Astable Operation, Duty Cycle < 50%

(Extended Period or "EP" Mode)

In the astable mode with multiplier settings greater than one, the output duty cycle is normally 50%. (The output is low until the internal counter reaches its mid value.) Generating a lower duty cycle is easily accomplished by adding a feedback path from the Output pin to the Discharge pin as shown in the circuit below. When the output goes high the charging current increases, since resistor R_F is now in parallel with R_A . A higher frequency increases the clock rate of the counter and decreases the output high time. If we ignore the voltage drop across D1:

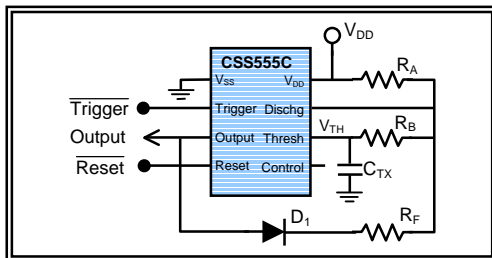
$$\begin{aligned} \text{Osc. Freq}_{\text{LOW}} &= 1.44 / [(R_A + 2R_B) \times C_T] \\ \text{Osc. Freq}_{\text{HIGH}} &= 1.44 / [(R_A || R_F + 2R_B) \times C_T] \\ \text{Output Time}_{\text{LOW}} &= 0.5 \times \text{Mult} / \text{Freq}_{\text{LOW}} \\ \text{Output Time}_{\text{HIGH}} &= 0.5 \times \text{Mult} / \text{Freq}_{\text{HIGH}} \\ \text{Duty Cycle} &= \text{Time}_{\text{HIGH}} / (\text{Time}_{\text{LOW}} + \text{Time}_{\text{HIGH}}) \end{aligned}$$

If $R_B \ll R_A$ and R_F :

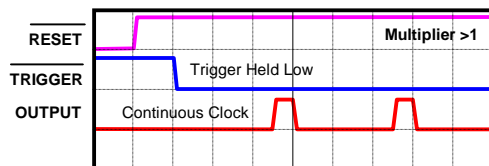
$$\text{Duty Cycle} \sim R_F / (R_A + 2R_F)$$

Note: A "Timer Calculator" is available for this circuit in the "Tools" folder. Open "CSS555_Adj_Duty_Calculator.xls".

Diode D1 allows a wider range of duty cycle values. Without D1, if $R_F \leq 2R_A$, V_T can't reach the upper trip level ($\frac{2}{3} V_{DD}$). The lowest duty cycle without D1 is about 20%.

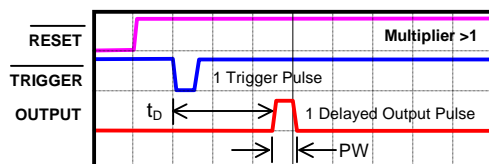


If the TRIGGER pin is held low, a continuous clock is generated at the Output pin, as shown below.



Adjustable Duty Cycle Clock (1% to 50%)

If TRIGGER is momentarily pulsed low, a single delayed pulse will be generated. (This function normally requires two monostable timers to implement.)



Delayed Pulse ($t_D > \text{Pulse Width}$)

Astable Operation, Duty Cycle > 50%

(Extended Period or "EP" Mode)

For values of duty cycle greater than 50%, the circuit shown below can be used. As in the previous circuit, the timer output is used to modulate the free running oscillator frequency. Resistor R_F is connected in parallel with R_A via MP1 (or PNP1) when the timer output pin is low. This reduces the output low time and increases the duty cycle. The timer equations are similar to the previous circuit. Since MP1 is "on" when the output is low, the equations are reversed.

If R_{ON} of MP1 is small with respect to R_F :

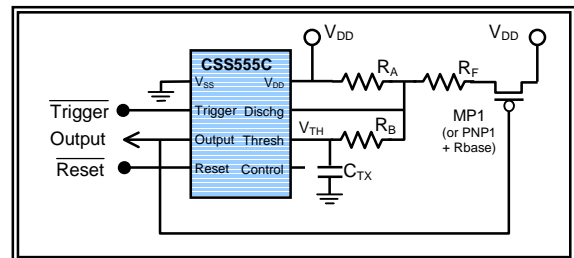
$$\begin{aligned} \text{Osc. Freq}_{\text{LOW}} &= 1.44 / [(R_A || R_F + 2R_B) \times C_T] \\ \text{Osc. Freq}_{\text{HIGH}} &= 1.44 / [(R_A + 2R_B) \times C_T] \\ \text{Output Time}_{\text{LOW}} &= 0.5 \times \text{Mult} / \text{Freq}_{\text{LOW}} \\ \text{Output Time}_{\text{HIGH}} &= 0.5 \times \text{Mult} / \text{Freq}_{\text{HIGH}} \\ \text{Duty Cycle} &= \text{Time}_{\text{HIGH}} / (\text{Time}_{\text{LOW}} + \text{Time}_{\text{HIGH}}) \end{aligned}$$

If $R_B \ll R_A$ and R_F :

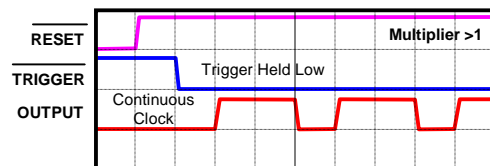
$$\text{Duty Cycle} \sim (R_A + R_F) / (R_A + 2R_F)$$

Note: A "Timer Calculator" is available for this circuit in the "Tools" folder. Open "CSS555_Adj_Duty_Calculator.xls".

Transistor MP1 can be any low power Pch FET. It may also be a PNP (2N3906) with an appropriate valued base resistor to limit the load on the output.

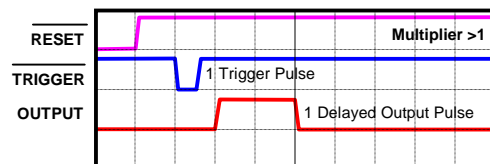


If the TRIGGER pin is held low, a continuous clock is generated at the Output pin, as shown below.



Adjustable Duty Cycle Clock (50% to 99%)

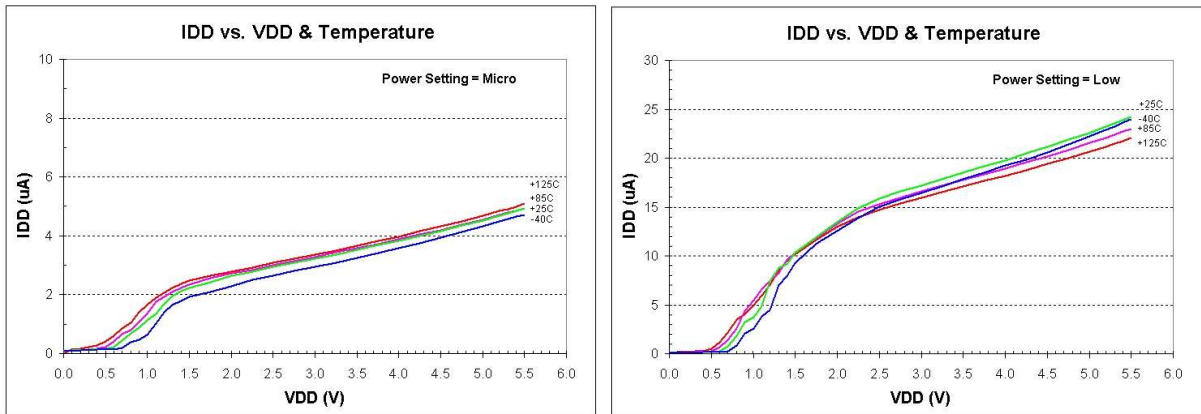
If TRIGGER is momentarily pulsed low, a single delayed pulse will be generated. (This function normally requires two monostable timers to implement.)



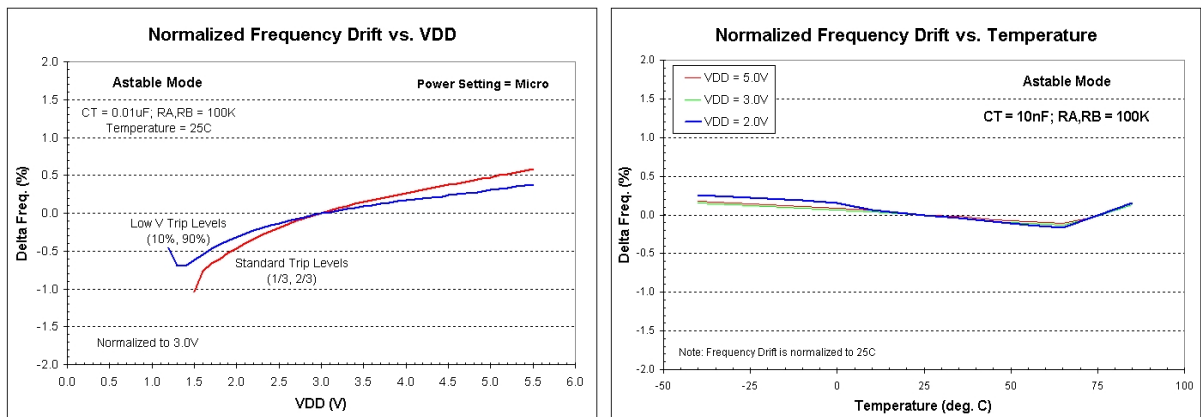
Delayed Pulse ($t_D < \text{Pulse Width}$)

Reference Material (cont.)

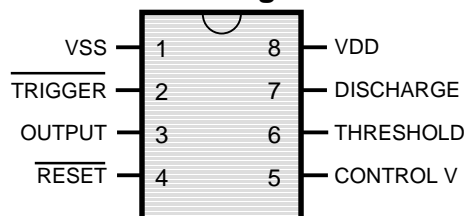
Supply Current vs. Supply Voltage and Temperature



Frequency Drift vs. Supply Voltage and Temperature



Pinout Diagram



Pin Descriptions

Pin Number	Pin Name	Primary Function (Normal Mode)	Secondary Function (EE Programming)
1	V _{SS}	Ground	
2	TRIGGER	Initiates timing cycles (Active low)	Serial Clock
3	OUTPUT	Timer Output (CMOS Levels)	Serial Data Out
4	RESET	Asynchronous timer reset (Active low)	Serial Data In
5	CONTROL V	Upper comparator switch level	R/W enable (Active if V _{CTRL} < 0.5V)
6	THRESHOLD	Upper comparator analog input	
7	DISCHARGE	Open drain FET, on when OUTPUT = 1	
8	V _{DD}	Positive voltage supply	

Note: Secondary function is activated when pin 5 (CONTROL V) is held below 0.5V.

Troubleshooting Guide

Your Demo Kit should install and operate without problems. If you have trouble, please use the following guide to help isolate the problem.

Troubleshooting Table

Symptom	Possible Problem	Suggestions
Green LED is OFF	No +5V power to PCB	PC is off Bad USB port, try a different one. Make sure USB cable is properly installed. Bad USB cable, try another.
Error message: "Could not open a device."	USB link not working (Green LED is ON)	Bad USB port, try a different one. Make sure USB cable is properly installed & fully inserted. Bad USB cable, try another.
	Driver error	Drivers are not installed or not functioning properly Check driver status using the "Control Panel" Connect the PCB to the PC's USB port Go to System/Hardware/Device Manager Expand "Universal Serial Bus Controllers" Select "USB Serial Converter", Right click & select "Properties" Check Device Status (under General tab) If status is not "Working Properly", reinstall drivers (see detailed instructions in the Operating Manual)
	USB Interface Module (located on PCB)	The USB interface module is in a socket. Make sure it is seated properly.
Can't find the USB Serial Converter driver	Driver not installed	Check for the "USB Serial Converter" driver Connect the PCB to the PC's USB port Go to System/Hardware/Device Manager Expand "Universal Serial Bus Controllers" If driver is not listed, rerun Driver Installation routine
	PCB not connected	The Demo Board must be connected to the PC for the Device Manager to display it.
Read function is not working	IC power is off	If red LED is off, Click "Device Power ON" button If using an external supply, check connections Make sure jumper JP1 is installed.
	No TRIGGER signal	Make sure jumper JP3 is installed, JP2 is not installed
	V _{DD} is too low	If using an external supply, V _{DD} must be > 3V to Read or... If V _{DD} < 3.0V, add comparator circuit (see test options)
	IC installed incorrectly	Make sure the IC is a CSS555 device Is pin 1 is correct? Check that all pins are in the socket
	Driver error	Drivers are not installed or not functioning properly (see previous "Driver Error" for suggestions)
Erratic read	Driver conflict with Virtual COM port driver	If the Virtual COM Port (VCP) driver is installed, it must be removed. (Uninstalling or disabling it will not work.) Check USB driver status using the "Control Panel" Connect the PCB to the PC's USB port Go to System/Hardware/Device Manager If a COM5 port driver is installed, Uninstall it. (Step 1) Refer to the "Removing the VCP Driver" section.
Program function is not working	IC power is off	If red LED is off, Click "Device Power ON" button If using an external supply, check connections Make sure jumper JP1 is installed.
	No TRIGGER signal	Make sure jumper JP3 is installed, JP2 is not installed
	V _{DD} is too low	If using an external supply, V _{DD} must be > 1.5V to Program
	IC installed incorrectly	Make sure the IC is a CSS555 device Is pin 1 is correct? Check that all pins are in the socket
	Driver error	Drivers are not installed or not functioning properly (see previous "Driver Error" for suggestions)

Troubleshooting Guide (cont.)

Removing the Virtual COM Port (VCP) driver (Windows XP)

The VCP driver is not required and may interfere with the USB Serial Converter driver. If it was installed inadvertently, it should be removed. **It is NOT sufficient to uninstall or disable it.**

To completely remove the USB Serial Port driver, complete the following steps:

- 1) Connect the Demo Board to the PC.
(The driver is hidden unless the Demo Board is connected.)
- 2) Open the PC's "Control Panel"
Select "System"
Select the "Hardware" tab
Open the "Device Manager"
Expand the "Ports" section (click on the "+" sign)
If there is a "USB Serial COM_N" port listed, right click on it and select "**Uninstall**" (left click)

Expand the "Universal Serial Bus controllers" section (click on the "+" sign)
Right click on "USB Serial Converter" and select "Properties"
Select the "Advanced" tab and **uncheck** the "Load VCP" box
Click "OK" and exit the Device Manager, Click "OK" and exit "System Properties"
Close the Control Panel

- 3) Using Windows Explorer, delete the following files:
In folder "C:\WINDOWS\Inf", find the USB Serial Port "OEM_{NN}.inf" file. (where _{NN} is a number)
There are many OEM_{NN}.inf listed - one for each driver.
Each OEM_{NN}.inf file is given a unique number (by Windows) when it is installed.
If the USB Serial Port driver was installed recently, it will *probably* have the highest OEM number.
Each "OEM_{NN}.inf" file has a corresponding "OEM_{NN}.PNF" file
Look for an OEM_{NN}.INF file dated 2/17/09. (There should be two files with that date, try the 2nd.)
The .INF file is a text file. Open it. The file to be deleted has "FTDIPORT.INF" on the first line.
(If the first line is "FTDIBUS.INF", you selected the USB Serial Converter INF file... Do NOT delete)
After confirming the OEM number of the FTDIPORT.INF file,
Delete "OEM_{NN}.inf" and the "OEM_{NN}.PNF" with the same number.

In folder "WINDOWS\System32"
Delete "ftserui2.dll (size = 51K, Date Modified = 2/17/09 12:20PM)

In folder "WINDOWS\System32\drivers"
Delete "ftser2k.sys (size = 71K, Date Modified = 2/17/09 12:17PM)

Close Windows Explorer

- 4) Confirm the removal of the USB Serial Port driver
Unplug the Demo Board
Reconnect the Demo Board
There should be NO prompt to install a USB Serial Port Driver
Run the program (CSS555C_DemoKit.exe)
Verify that you can control V_{DD}, Program and Read the device.

A very detailed FTDI Drivers Installation guide can be found in Application Note AN_104. It can be found in the "Drivers" folder on the CD. It also includes a detailed description on uninstalling the drivers.