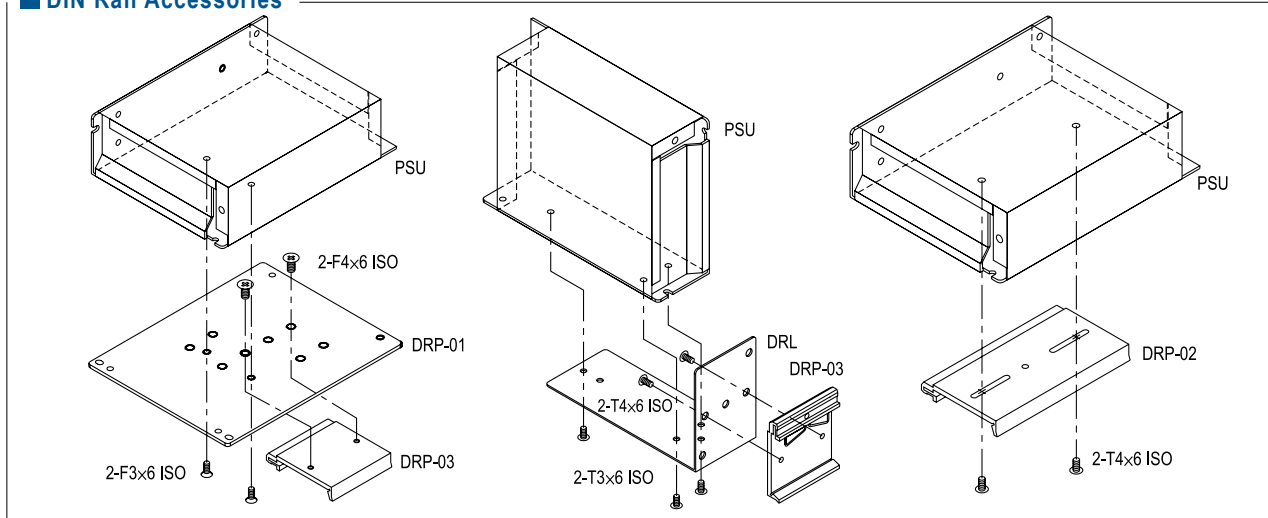
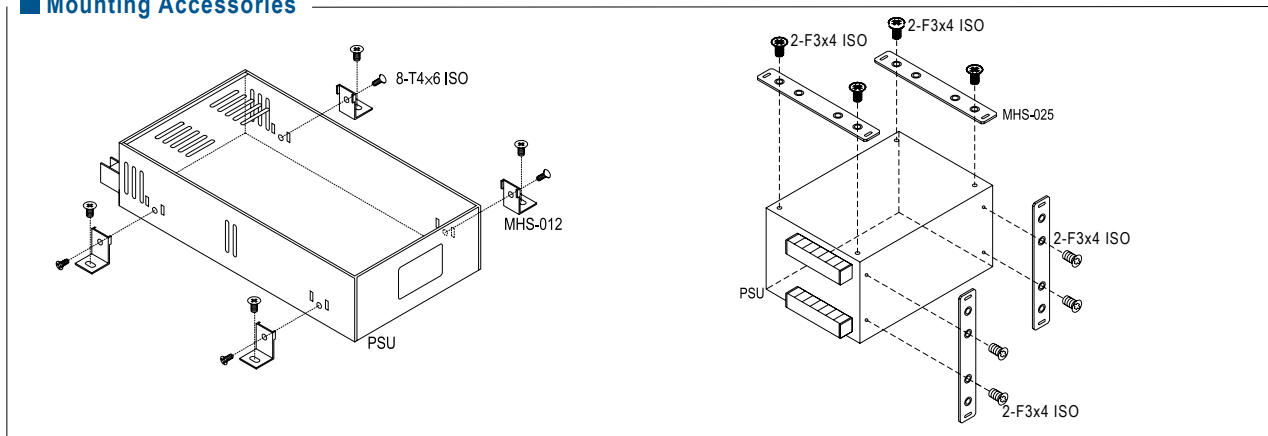


Global Power Solutions

## DIN Rail Accessories



## Mounting Accessories



| ITEM | Order No. | Case                                   | Model  |
|------|-----------|--|--|
|      | DRL-01    | 903<br>905<br>931<br>932<br>971        | S-40, D-30, T-30, .....<br>S-15, S-25, .....<br>RS-25, NES-15<br>RS-35, NES-25<br>RS-15  |
|      | DRL-02    | 901<br>902<br>906<br>915<br>916<br>920 | S-50, S-60, D-60, .....<br>S-100, S-100F, SD-100, .....<br>S-150, SD-150, D-120, .....<br>SP-100, .....<br>SP-150, SP-200, .....<br>SP-75, ..... |
|      | DRL-03    | 911<br>912                             | S-240, .....<br>S-320, SP-320, .....   |
|      | DRL-03A   | 980<br>987                             | SP-240, HRP(G)-300   |
|      | DRP-01    | 901, 902<br>903, 906<br>931, 932       | All models   |
|      | DRP-02    | 905 / 915<br>916 / 920<br>928          | S-15, S-25, ... / SP-100, ...<br>SP-150, SP-200, ... / SP-75, ...<br>USP-225, .....  |
|      | DRP-03    | DRP-01<br>DRL-01-03                    | All models   |

| ITEM | Order No. | Case   | Model  |
|------|-----------|--|--|
|      | MHS012    | 912, 915<br>916, 935<br>939, 940<br>977, 980<br>982B<br>986, 987 | S-201, S-320,<br>S-350, SP-100,<br>SP-150, SP-200, SP-320,<br>SE-450/1000, MP450/650/1000,<br>SP-240, HRP-300/600,<br>RSP-2400/3000  |
|      | MHS013    | 919<br>926   | PSP-500, SP-750,<br>SE-600   |
|      | MHS014    | 952  | RSP-1000, SD-1000  |
|      | MHS025    | 910  | SP-500, PSP-600.....   |
|      | MHS026    | 943  | RSP-1500   |
|      | MHS027    | 971A<br>931  | RS-15<br>RS-25   |
|      | TBC-05    | 901<br>903<br>905<br>932   | SD-50, S-60<br>S-40, NES-50, RS-75<br>S-25, SD-25, NES-35,<br>RS-50<br>NES-25, RS-35   |
|      | TBC-07    | 901<br>902<br>902A<br>903<br>905<br>906                          | D/ID-60, NED/T-75, RD-85,<br>NES-100, RS-100, T-60<br>S-100F, RD-125, NES-150,<br>RS-150, SD-100<br>HRP-200<br>NED/T-50, RD/RID-65, T-40<br>NED/T-35, RD-50<br>S-150, SC-150, SD-150 |
|      | TBC-08    | 901<br>906   | AD-155, ADD/ADS-155<br>D/T/Q-120   |