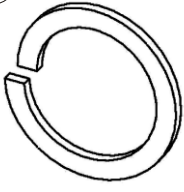
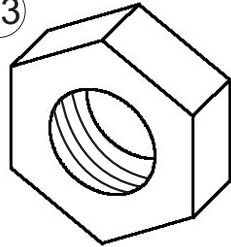
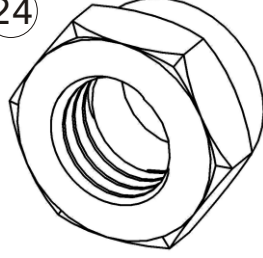
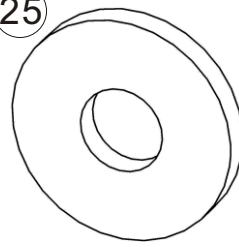
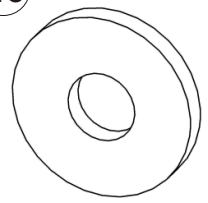

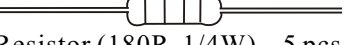


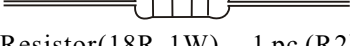
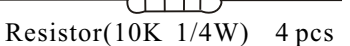
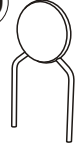


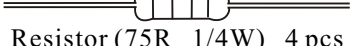
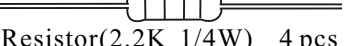
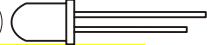

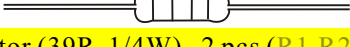
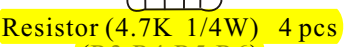


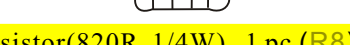
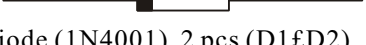

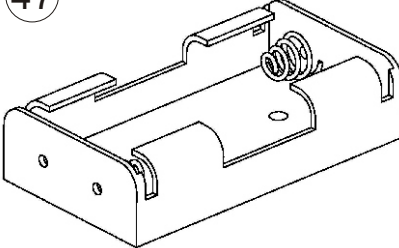

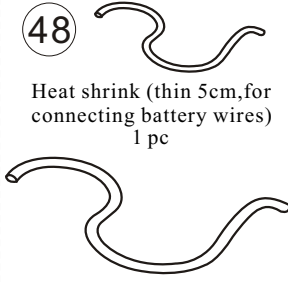
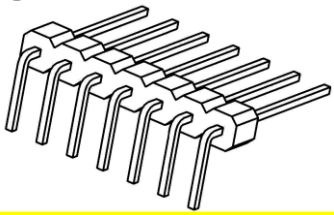
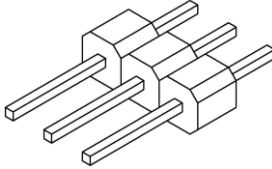

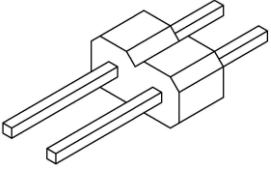
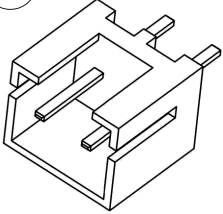
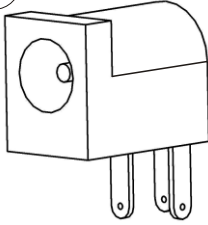
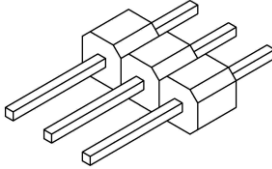
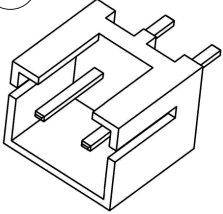
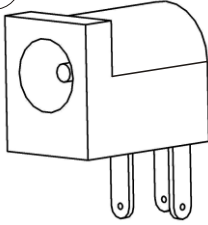
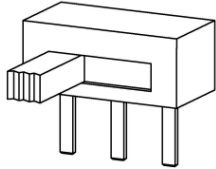
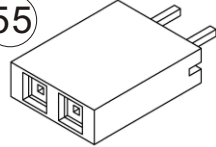
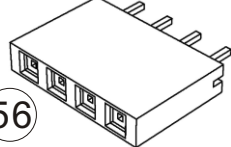
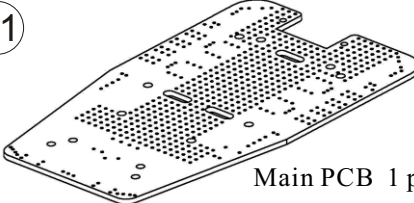
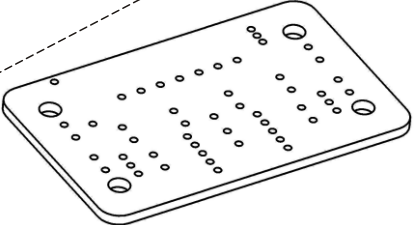
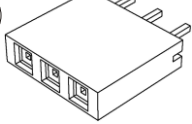
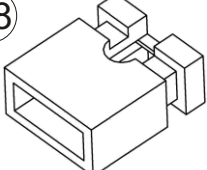
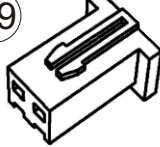
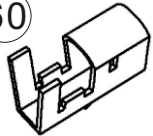


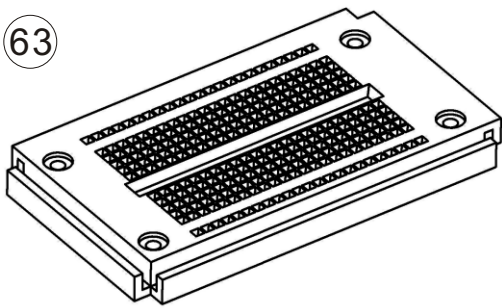
<p>22</p>  <p>M3 spring washer 4 pcs</p>	<p>23</p>  <p>M3 Nut 10 pcs</p>	<p>24</p>  <p>M3 Nylon nut 5 pcs</p>	<p>25</p>  <p>M3 Flat washer 4 pcs</p>	<p>26</p>  <p>Nylon washer 8 pcs</p>
--	---	--	---	--

Components list 2 (Electronic parts):

Black marks indicate the parts should be used on Main PCB
 PCB.Gray marks indicate the parts should be used on COMPOUND EYE

<p>27</p>  <p>Resistor(390R 1/4W) 1 pc (R1)</p>	<p>28</p>  <p>Resistor(180R 1/4W) 5 pcs (R3,R8,R10,R12,R14)</p>	<p>37</p>  <p>Electrolyze Capacitor (470/16 V) 3 pcs (C1,C3,C5)</p>	<p>38</p>  <p>10uf capacitor 1pc</p>	
<p>29</p>  <p>Resistor(18R 1W) 1 pc (R2)</p>	<p>30</p>  <p>Resistor(10K 1/4W) 4 pcs (R4,R5,R6,R7)</p>	<p>39</p>  <p>Capacitor (0.22) 3 pcs (C2,C4,C6)</p>	<p>40</p>  <p>Transistor (BC547TO92B) 4 pcs (Q5,Q6,Q7,Q8)</p>	<p>41</p>  <p>Transistor (PN100 TO92B) 1 pc (Q9)</p>
<p>31</p>  <p>Resistor(75R 1/4W) 4 pcs (R9,R11,R13,R15)</p>	<p>32</p>  <p>Resistor(2.2K 1/4W) 4 pcs (R16,R17,R18,R19)</p>	<p>42</p>  <p>IR LED(IR333C-A) 8 pcs (IR1,IR2,IR3,IR4)(LED1 LED2,LED3,LED4)</p>	<p>43</p>  <p>Photo Transistor (PT334-6B) 12 pcs (Q1,Q2,Q3,Q4)(Q1EQ2E Q3EQ4EQ5EQ6EQ7EQ8)</p>	
<p>33</p>  <p>Resistor(39R 1/4W) 2 pcs (R1,R2)</p>	<p>34</p>  <p>Resistor(4.7K 1/4W) 4 pcs (R3,R4,R5,R6)</p>	<p>44</p>  <p>LED (green §3mm) 4 pcs (LED3,LED4,LED5,LED6)</p>	<p>45</p>  <p>LED (orange §3mm) 1 pc (LED1)</p>	
<p>35</p>  <p>Resistor(820R 1/4W) 1 pc (R8)</p>	<p>36</p>  <p>Diode (1N4001) 2 pcs (D1&D2)</p>	<p>46</p>  <p>LED (red §3mm) 1 pc (LED2)</p>	<p>47</p>  <p>Battery box 2 pcs</p>	
<p>44</p>  <p>LED (green §3mm) 4 pcs (LED3,LED4,LED5,LED6)</p>	<p>48</p>  <p>Heat shrink (thin 5cm,for connecting battery wires) 1 pc</p> <p>Heat shrink (thick 10cm, for covering the IR sensors) 1 pc</p>	<p>49</p>  <p>7 Pin right-angle male header 1 pc (J1)</p>	<p>50</p>  <p>3 Pin male header 8 pcs (J2,J4,J6,J8,J11,J13, J15,J17)</p>	
<p>45</p>  <p>LED (orange §3mm) 1 pc (LED1)</p>	<p>51</p>  <p>2 Pin male header 2 pcs (J9,J18)</p>	<p>52</p>  <p>2 Pin socket 1 pc (BT)</p>	<p>53</p>  <p>DC connector (DC-002) 1 pc (POWER)</p>	
<p>50</p>  <p>3 Pin male header 8 pcs (J2,J4,J6,J8,J11,J13, J15,J17)</p>	<p>52</p>  <p>2 Pin socket 1 pc (BT)</p>	<p>53</p>  <p>DC connector (DC-002) 1 pc (POWER)</p>	<p>54</p>  <p>Switch (SK-12F01P) 1 pc (S1)</p>	
<p>55</p>  <p>2 Pin female header 2 pcs (J21,J22)</p>	<p>56</p>  <p>4 Pin female header 2 pcs (J19,J20)</p>	<p>61</p>  <p>Main PCB 1 pc</p>	<p>62</p>  <p>Compound-eye PCB (48mm*30mm) 1 pc</p>	
<p>57</p>  <p>3 Pin female header 8 pcs (J1,J3,J5,J7, J10,J12,J14,J16)</p>	<p>58</p>  <p>Header jumper 2 pcs</p>	<p>59</p>  <p>2 Pin female socket 1pc</p>	<p>60</p>  <p>Crimp connector 2pcs</p>	

63



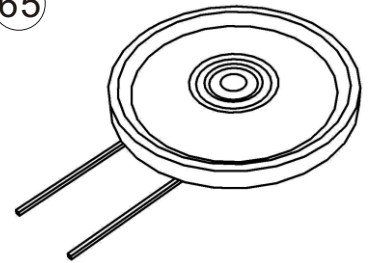
Breadbord (52mm*90mm) 1 pc

64



140 piece cable pack

65



Speaker 1pc

Compound eye assembly instructions

1. Install the resistors and 7 pin header first.
2. Install the 4 IR LEDs (clear colour) in the center. Note one side is flat.
3. Install the PN100 transistor.
4. Install the 8 IR phototransistors (black colour). Note one side is flat.

Note: All LEDs and photo transistors should sit flat on the PCB. Pay careful attention to the printed layout on the PCB as it shows the correct orientation of all components.

