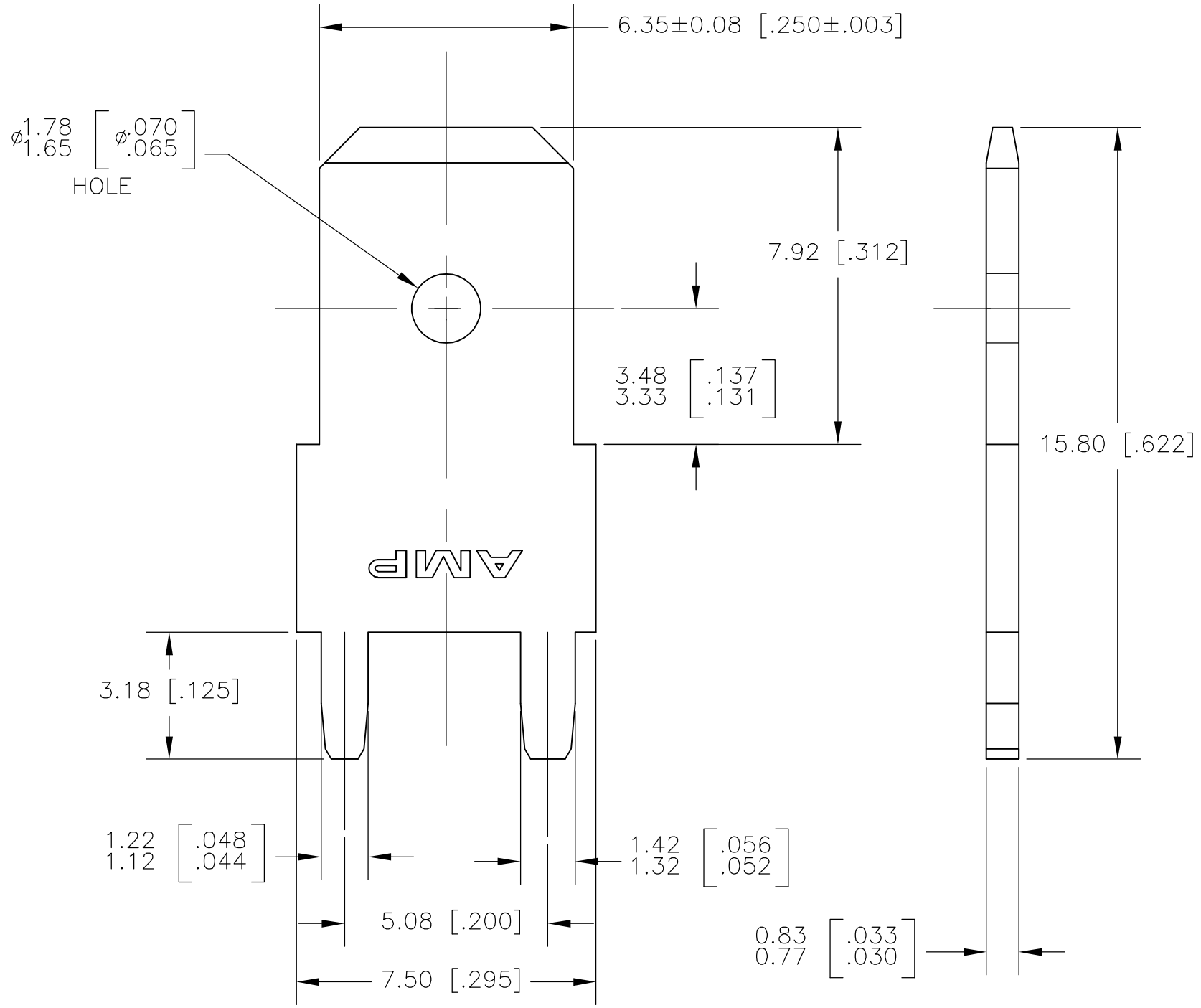


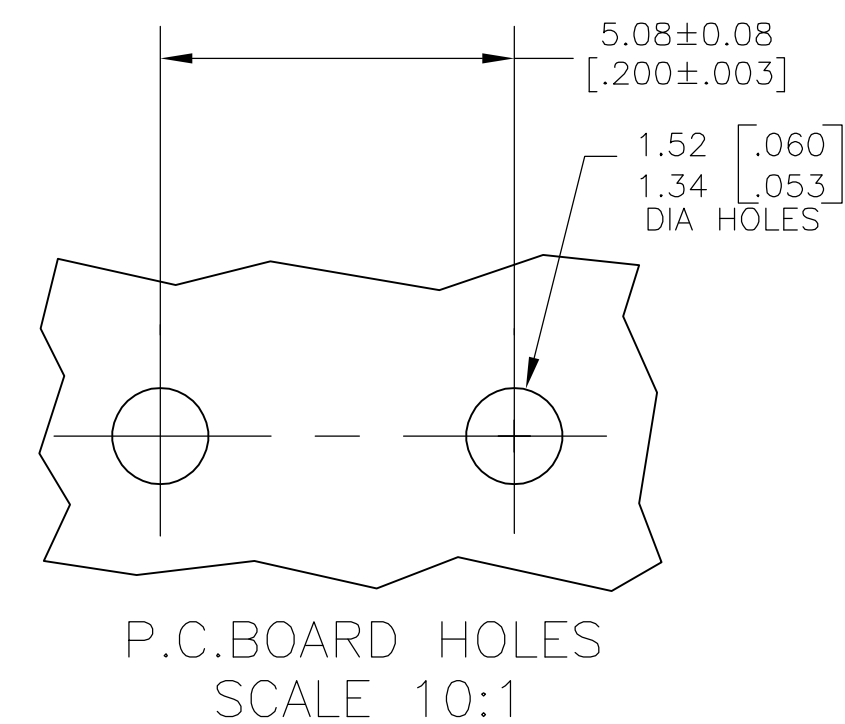
THIS DRAWING IS UNPUBLISHED. RELEASED FOR PUBLICATION -,-
 © COPYRIGHT BY TYCO ELECTRONICS CORPORATION. ALL RIGHTS RESERVED.

LOC	DIST	REVISIONS			
P	LTR	DESCRIPTION	DATE	DWN	APVD
AF	50	D	REV PER ECR-05-017407	11APR06	HMR KR

D
C
B
A



1 SUPPLIED IN LOOSE PIECE.
 2 0.00381 [.000150] MIN TIN OVER
 0.00254 [.000100] MIN THK COPPER.



1217056-1
PART NUMBER

THIS DRAWING IS A CONTROLLED DOCUMENT.		DWN	JR RUTH	20MAR01	tyco Electronics	Tyco Electronics Corporation Harrisburg, PA 17105-3608				
DIMENSIONS: mm [INCHES]		CHK	MS FEHER	20MAR01		NAME				
TOLERANCES UNLESS OTHERWISE SPECIFIED:		APVD	N DEIBERT	20MAR01	TAB, FASTON, PC BOARD, 6.35 [.250] SERIES					
0 PLC ± - 1 PLC ± - 2 PLC ± 0.38 [.015] 3 PLC ± - 4 PLC ± - ANGLES ± -		PRODUCT SPEC	-			SIZE	CAGE CODE	DRAWING NO	RESTRICTED TO	
MATERIAL	082 BRASS	FINISH	2		WEIGHT	A3 00779 C-1217056		-		
CUSTOMER DRAWING					SCALE	8:1	SHEET	1 OF 1	REV	D