

SERIES AT-101Z ELECTRO-MECHANICAL AUDIO TRANSDUCER

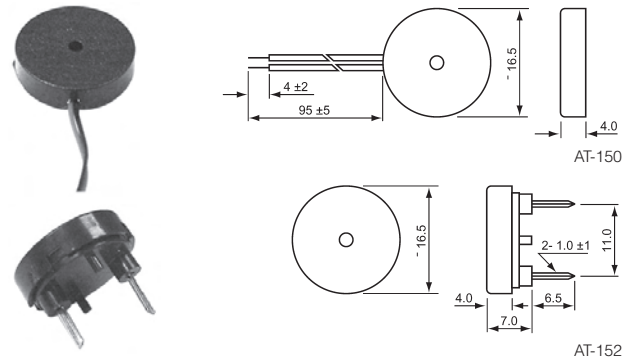
FEATURES: P.C. board mountable. 2048 Hz resonant frequency. Voltage range (1-3V). Low profile/compact configuration. **SPECIFICATIONS:** Case: Noryl SEI-J. Weight: 0.07 oz. (2 grams). P.C. Pins: tin-plated copper.

ELECTRICAL

Parameter	AT-101Z	Units
Rated Voltage	1.5	Vp-p
Operating Voltage	1-3	Vp-p
Rated Current* (max.)	10	mA
Coil Resistance $\pm 30\%$	50	Ohm
Coil Impedance**	140	Ohm
Resonant Frequency	2048	Hz
Sound Pressure Level @ 10cm (min.)	73	dBA
Temperature Range:		
• Operating	-20° to +70°	°C
• Storage	-30° to +80°	°C

NOTE: All data at 25°C unless otherwise specified.
*Value applying rated voltage (2,048 Hz, 1/2 duty, Square Wave).
**Value applying (2,048 Hz Sine Wave, measuring current 60 Micro A).

Cat. No.	Net Price
AT-101Z	\$0.87



SERIES AT-150 AND AT-152 PIEZO CERAMIC AUDIO TRANSDUCERS

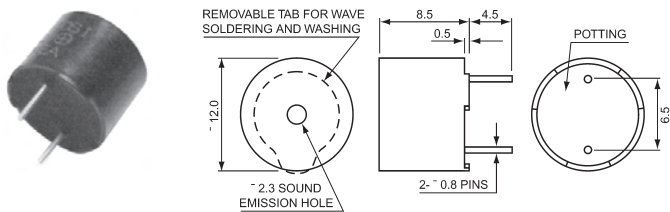
FEATURES: P.C. board or surface mounting with wire leads. Wave solderable. Voltage range: 1-30V. **SPECIFICATIONS:** Case: ABS, black. Weight: 0.04 oz. (1 gram). P.C. Pins: tin plated brass. Wire: AWG no. 30 wire colour code: red (+), black (-).

ELECTRICAL

Parameter	AT-150 and AT-152	Units
Input Voltage (max.)	15	Vp-p
Rated Current (max.)	11	mA
Frequency Range	3000-5000	Hz
Sound Pressure Level @ 10cm (typ.)	80 @ 4KHz (3 Vp-p square wave)	dBA
Capacitance	21,000	
Temperature Range:		
• Operating	-20° to +60°	°C
• Storage	-30° to +70°	°C

NOTE: All data at 25°C unless otherwise specified.

Cat. No.	Net Price
AT-150	\$1.33
AT-152	1.56



SERIES AT-10SI AND AT-10Z ELECTRO-MECHANICAL AUDIO TRANSDUCERS

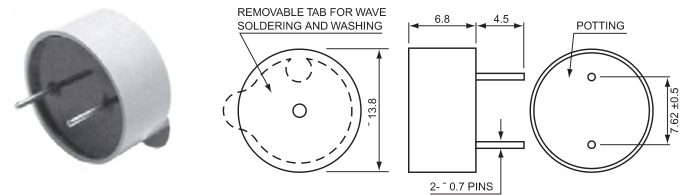
FEATURES: P.C. board mounting. Wave solderable and washable (AT-10SI only). Removable tab and epoxy sealed based (AT-10SI only). Voltage range: 1-3V. **SPECIFICATIONS:** Case: Noryl SEI-J. Weight: 0.07 oz. (2 grams). P.C. Pins: tin-plated copper.

ELECTRICAL

Parameter	AT-10SI	AT-10Z	Units
Rated Voltage	1.5	1.5	Vp-p
Operating Voltage	1-7	1-3	Vp-p
Rated Current (max.)	40	10*	mA
Coil Resistance $\pm 30\%$	16	42	Ohm
Coil Impedance**		140	Ohm
Resonant Frequency	2800	2048	Hz
Sound Pressure Level @ 10cm (min.)	85		dBA
Temperature Range:			
• Operating	-30° to +70°		°C
• Storage	-40° to +85°		°C

NOTE: All data at 25°C unless otherwise specified.
*Value applying rated voltage (2,048 Hz, 1/2 duty, Square Wave).
**Value applying (2,048 Hz Sine Wave, measuring current 60 Micro A).

Cat. No.	Net Price
AT-10SI	\$1.64
AT-10Z	.98



SERIES AT-17

SUB-MINIATURE PIEZO CERAMIC AUDIO TRANSDUCER

FEATURES: 3800 Hz resonant frequency. Voltage range: 1-20V. P.C. board mounting. Wave solderable and washable. **SPECIFICATIONS:** Case: Noryl SEI grey. Weight: 0.0353 oz. (1 gram). P.C. Pins: copper covered iron with tin plating.

ELECTRICAL

Parameter	AT-17	Units
Operating Voltage	1-20	Vp-p
Rated Current (max.)	1	mA
Capacitance	13,000 $\pm 30\%$	pF
Sound Pressure Level @ 10cm (min.)	80	dBA
Resonant Frequency	3800	Hz
Temperature Range:		
• Operating	-30° to +80°	°C
• Storage	-30° to +80°	°C

NOTE: All data at 25°C unless otherwise specified.

Cat. No.	Net Price
AT-17	\$2.60