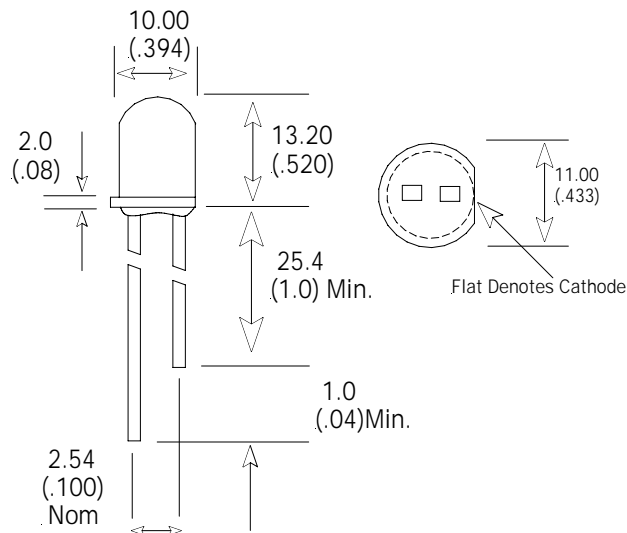




## MCDL-833XD (10 MM )

Lens Color: **Diffused**  
 Lens Dimension: **10 mm**



### Absolute Maximum Ratings At Ta = 25° C

Parameter	Max	Unit
Reverse Voltage	5	V
Power Dissipation (mW)	100	mW
Peak Forward Current, $t_w = 1$ msec. Duty $= 1/20$	180	mA
Operation Temperature (°C)	-40° - +80°	
Storage Temperature (°C)	-40° +100°	
Solder DIP (5 seconds, 1.6 mm from body) Temperature	260	± 5°C

### Electrical Characteristics At Ta= 25°C

Part Number	Emitted Color		Wave length	Viewing Angle 2θ	I <sub>F</sub>		V <sub>F</sub> (V)			I <sub>V</sub> (I <sub>F</sub> = 20mA) MCD	
	Material	Color	λ PEAK	Degrees		Peak	Min	Typ	Max	Min	Typ.
MCDL-833GD	GaP	Green	570	60	30	120	1.9	2.2	2.8	8.0	20
MCDL-833SGD	GaP	Green	570	60	30	120	1.9	2.2	2.8	20	50
MCDL-833ED	GaAsP/GaP	HER	635	60	30	120	1.8	2.0	2.8	10	25
MCDL-833SED	GaAsP/GaP	HER	635	60	30	120	1.8	2.0	2.8	25	35
MCDL-833YD	GaAsP/GaP	Yellow	590	60	30	120	1.8	2.0	2.8	10	25
MCDL-833SYD	GaAsP/GaP	Yellow	590	60	30	120	1.8	2.0	2.8	25	35
MCDL-833AD	GaAsP/GaP	Amber	590	60	30	120	1.8	2.0	2.8	10	25
MCDL-833ED-E-610	GaAsP/GaP	Orange	610	60	30	120	1.8	2.0	2.8	10	25
MCDL-833SBD	SiC	Blue	430	60	*	120	3.8	4.2	4.8	*	20
MCDL-833SRD	GaAlAs	S. Red	660	60	20	160	1.6	1.8	2.1	50	200
MCDL-833URD	GaAlAs	S. Red	660	60	20	160	1.6	1.8	2.1	300	500
MCDL-833URD-U12	GaAlAs	S. Red	660	60	20	160	1.6	1.8	2.1	400	600

#### Notes:

- All Dimensions are in millimeters (inches).
- Tolerance is ± 0.25mm (0.010") unless otherwise specified.
- Protruded resin under flange is 1.5mm (0.059") max.
- Specifications are subject to change without notice.