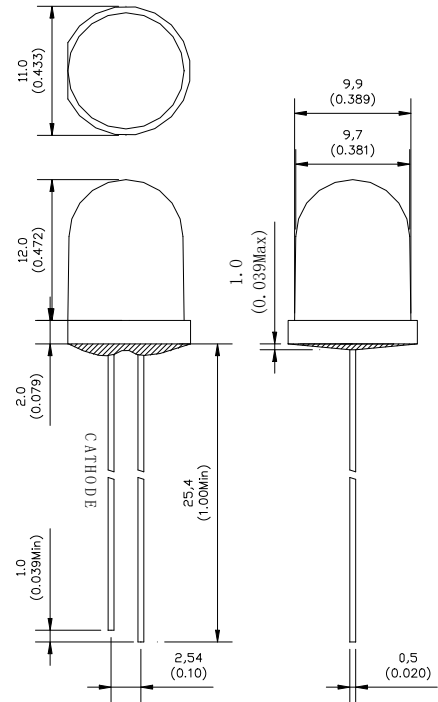




# MCD-10003RGBW-B (10mm ROUND TYPE) Blinking LED series

ABSOLUTE MAXIMUM RATING:(Ta=25°C)

Parameter			Unit
DC Forward Current	30		mA
Reverse Voltage	5		V
Reverse Current (Vr=5V)	10		μA
Peak Forward Current ,tw ,=1 msec Duty ,=1/20	150		mA
Operation Temperature	-40	+80	°C
Storage Temperature	-40	+100	°C
Solder Dip (5 seconds,1.6mm from body ) Temperature	300	±5	°C



Part Number	EMITTED COLOR		Lens Color	Peak Wavelength (nm)	Fade Frequency	Vf (v) Typ.	IV (If=20mA) mcd		View Angle 2 θ 1/2
							Min.	Typ.	
MCD-10003RGBW-B Multi-Color	AlGaInP	Red	White diffused	625	See below	5.0	20	50	120°
	InGaN	Blue		470			80	100	
	InGaN	P-Green		525			200	250	

