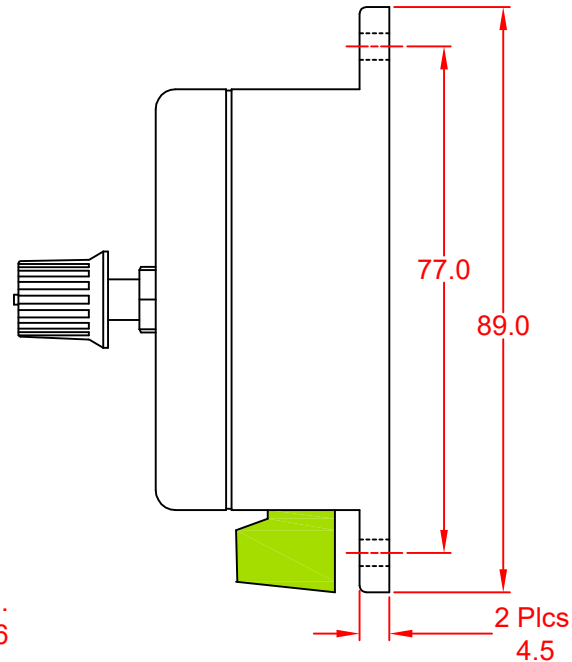
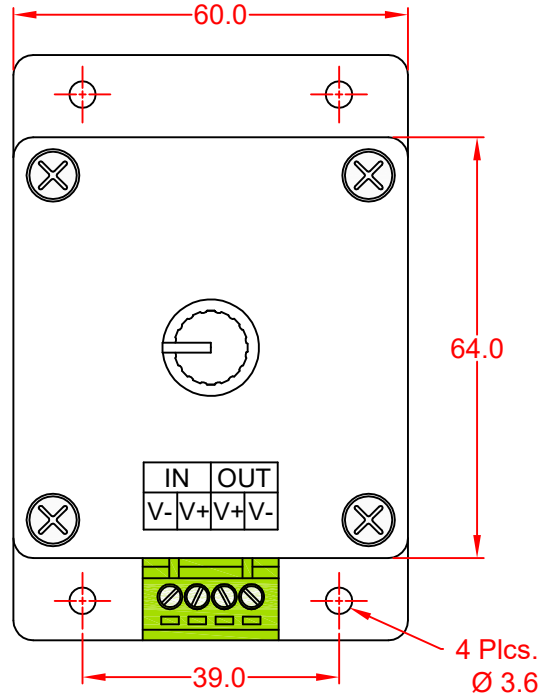


PWM LED DIMMER

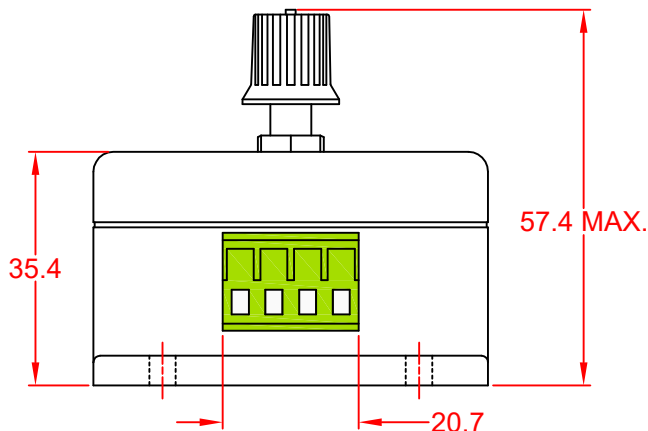
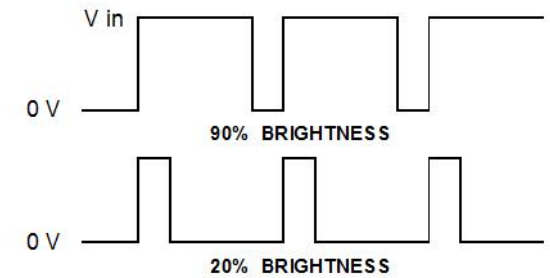
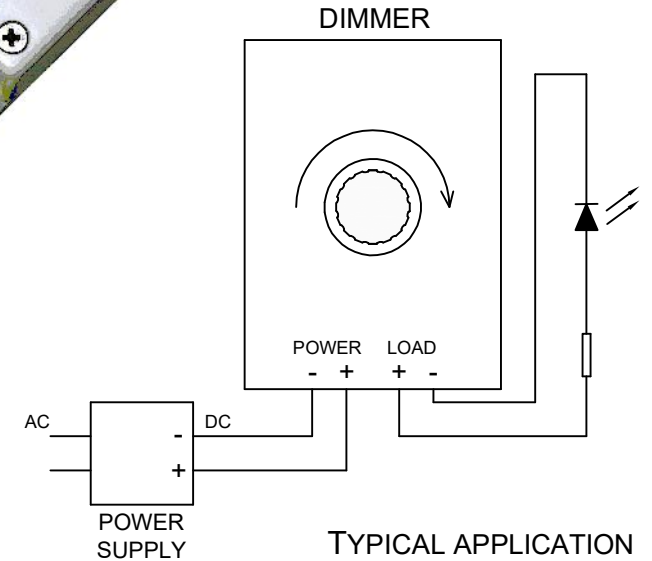
FEATURES:

- WILL OPERATE ON 5, 6, 12 OR 24 VOLTS DC
- UP TO 8 AMPS OF AVAILABLE CURRENT DRIVE
- PULSE WIDTH MODULATED OUTPUT FOR SMOOTH TRANSITION FROM 100% TO 20% BRIGHTNESS
- OPERATION TEMPERATURE -20° C TO +60° C
- LOW POWER CONSUMPTION (LESS THAN 1 WATT)

REV.	DESCRIPTION/ECO NO.	DATE
	RELEASED	6/15/10
A	ADD ELECTRICAL CHART	4/14/11
B	CHANGE 24V ON ELECT. CHART	4/26/11
C	ADD FEATURES NOTE & PHOTO	6/24/13
D	ADDED DIMENSIONS	12/19/14
E	NEW PHOTO	7/19/16



Shaft Diameter - 6.0mm
Rotation Angle - 120°



JKL PART NO.: ZDM-01

METRIC		DIMENSIONS ARE IN MILLIMETERS		JKL COMPONENTS CORPORATION			
 THIRD ANGLE PROJECTION		TOLERANCE UNLESS OTHERWISE SPECIFIED 1 PL +/- REF. 2 PL +/- REF. ANGLE +/- REF.		TITLE PWM LED DIMMER			
DRAWN BY L. WENGSTROM	APPVD BY L.R.	DATE 7/19/16	SIZE A	FSCM NO. 55335	DRAWING NO. ZDM-01		
- CAD DRAWING - MANUAL REVISIONS NOT PERMITTED			SCALE NOT TO SCALE	RELEASED DATE 6/15/10	REVISION DATE 7/19/16	REV. NO. E	SHEET 1 OF 1