



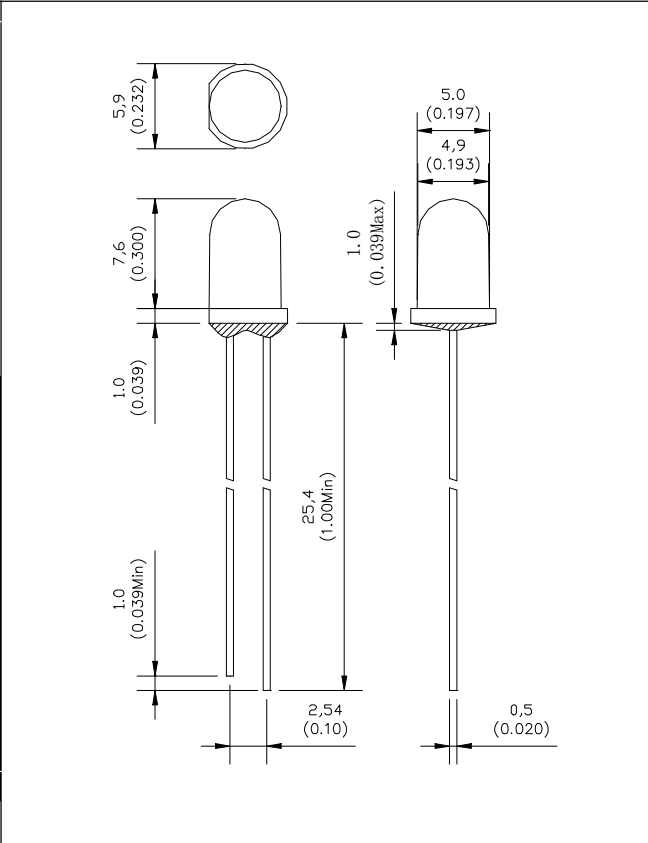
MCDL-5013xx-B

(Φ 5mm ROUND TYPE)

Blinking LED series

ABSOLUTE MAXIMUM RATING:(Ta=25°C)

Parameter			Unit
DC Forward Current	30		mA
Reverse Voltage	5		V
Reverse Current (Vr=5V)	10		μA
Peak Forward Current ,tw ,=1 msec Duty ,=1/20	150		mA
Operation Temperature	-40	+80	°C
Storage Temperature	-40	+100	°C
Solder Dip (5 seconds, 1.6mm from body) Temperature	300	±5	°C



Part Number	EMITTED COLOR		Lens Color	Peak Wavelength (nm)	Blinking Frequency		Vf (v) Typ.	IV (If=20mA) mcd		View Angle 2 θ 1/2
	Min.	Typ.			Min.	Typ.				
MCDL-5013LRD-B	GaAlAs	Red	Red Diffused	660	1.5Hz	2.5Hz	3.0	20	30	60°
MCDL-5013GD-B	GaP	Green	Green Diffused	565	1.5Hz	2.5Hz	3.0	2	8	60°
MCDL-5013YD-B	GaAsp	Yellow	Yellow Diffused	590	1.5Hz	2.5Hz	3.0	2	8	60°
MCDL-5013ED-B	GaAsp/Gap	Orange	Red Diffused	625	1.5Hz	2.5Hz	3.0	3	10	60°
MCDL-5013BC-B	InGaN	Blue	Water Clear	470	1.5Hz	2.5Hz	4.5	200	250	20°
MCDL-5013PGC-B	InGaN	Pure Green	Water Clear	525	1.5Hz	2.5Hz	4.5	300	400	20°
MCDL-5013SGW-B Bi-color	GaAlAs GaP	Red Green	White Diffused	660 565	3Hz	5Hz	3.0	5 3	15 8	60°
MCDL-5013SGC-B Bi-color	GaAlAs GaP	Red Green	Water Clear	660 565	3Hz	5Hz	3.0	20 10	30 15	20°
MCDL-5013SBC-B Bi-color	AlGaInP InGaN	Red Blue	Water Clear	625 470	3Hz	5Hz	4.5	400 200	450 250	20°
MCDL-5013SBW-B Bi-color	AlGaInP InGaN	Red Blue	White Diffused	625 470	3Hz	5Hz	4.5	50 40	60 45	60°
MCDL-5013RGBC-B Multi-Color	AlGaInP InGaN InGaN	Red Blue P-Green	Water Clear	625 470 525	3Hz	5Hz	5.0	400 200 400	450 300 450	20°