

Series KT



Power Wirewound Resistors vertical, circuit breaker, fibre glass core, ceramic case

Specification

Type		212-7	214-7	216-7	218-7
Power rating P_{70}	W	2	2,5	3,5	4,5
Resistance range	Ω	see Page 2			
E-series		E 24 (5%), E 12 (10%)			
Tolerance	%	$\pm 5, \pm 10$			
Temperature coefficient	$10^{-6} * K^{-1}$	- 80 ... + 500			
max. cont. working voltage	V_{RMS}	$\sqrt{P_{70} \cdot R}$			
Insulation voltage (1min.)	V_{RMS}	2000			
Insulation resistance	Ω	$> 10^4 M$			
Derating linear		see diagram page 3			
Climatic category		55/150/56			
Temperature range	$^{\circ}C$	-55 ... 150			
Failure rate (Total, ϑ_0 max., 60% conf. lev.)	$\left[\frac{\Delta R}{R} \right]$ %	appr. 100, depends on value			
Endurance (P_{70} , 70°C, 1000h)	$\left[\frac{\Delta R}{R} \right]$ %	$\pm 3,0$ average			
Damp heat, steady state (40°C, 93% r.h., 56d)	$\left[\frac{\Delta R}{R} \right]$ %	$\pm 2,0$			
Climatic sequence	$\left[\frac{\Delta R}{R} \right]$ %	$\pm 2,0$			
Terminal strength	$\left[\frac{\Delta R}{R} \right]$ %	$\pm 1,0$			

Distributed by ARTLAND.
Tel: 852-26900182 Fax: 852-26900213
E-mail: sales@artland-tech.com
www.artland-tech.com

Series KT

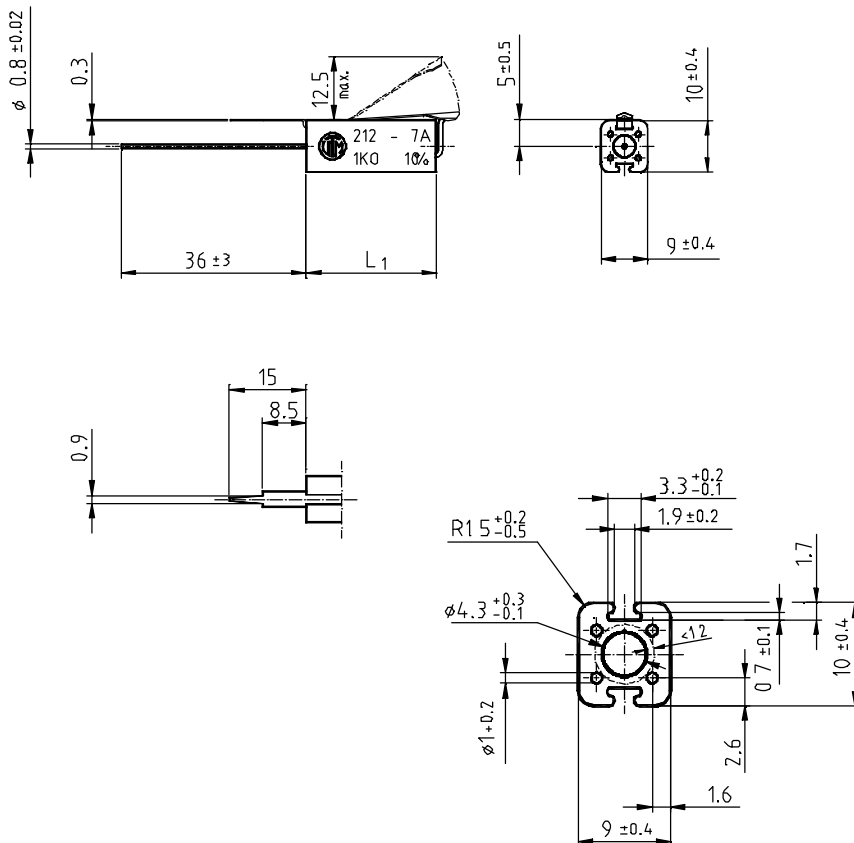


Power Wirewound Resistors vertical, circuit breaker, fibre glass core, ceramic case

Type		212-7	214-7	216-7	218-7
Terminal tensile strength	N	50			
Resistance to soldering heat (260°C, 10s)	$\left[\frac{\Delta R}{R} \right]$ %	± 0,2 typ.			
Solderability	s	2,5 Flowtime/Solderglobule test, IEC-60068-2-20-T			
Marking		Printed in clear			

Type	Resistance rang		L ₁
	Min.	Max.	
212-7	10% R075	5% R15	15K 25 ±1,0
214-7	R11	R33	33K 38 ±1,0
216-7	R28	R51	47K 50 ±1,5
218-7	R27	R91	82K 75 ±2,0

Dimensions in mm:



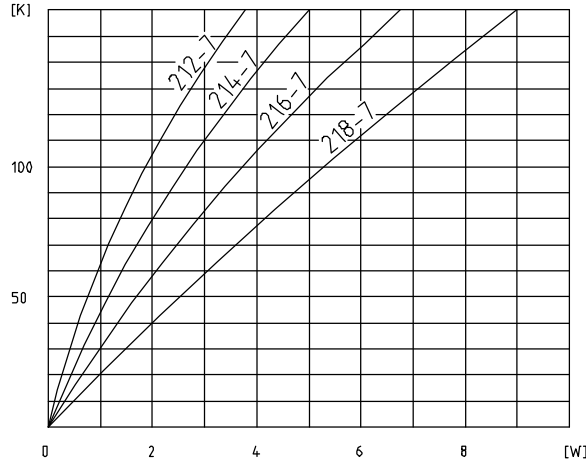
Distributed by ARTLAND.
Tel: 852-26900182 Fax: 852-26900213
E-mail: sales@artland-tech.com
www.artland-tech.com

Series KT

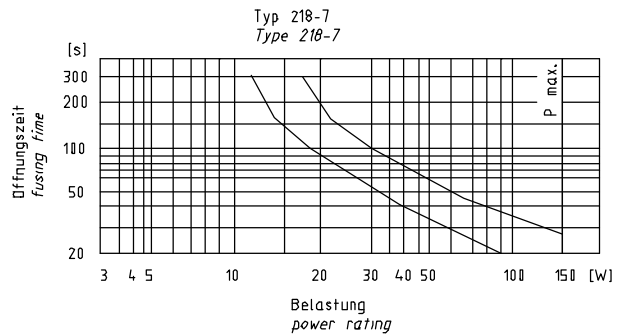
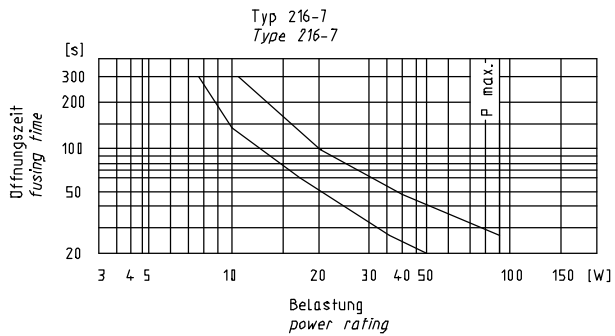
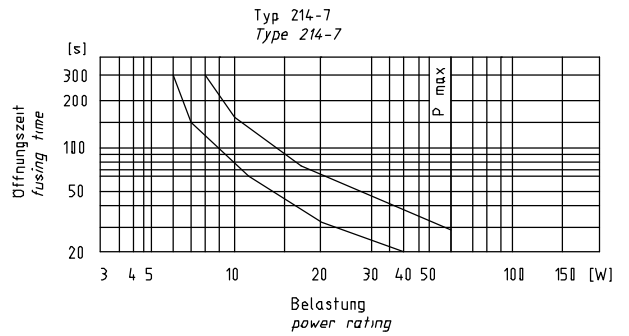
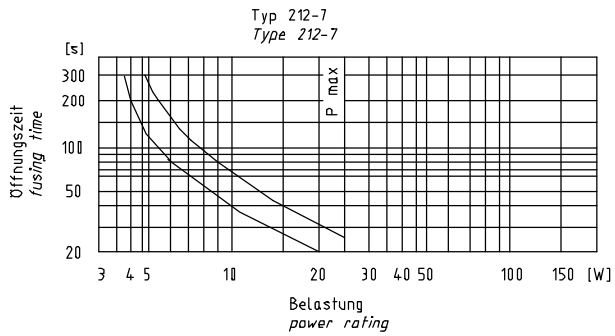


Power Wirewound Resistors vertical, circuit breaker, fibre glass core, ceramic case

Temperature rise (solder joint):



Fusing times vs. load:



Distributed by ARTLAND.
 Tel: 852-26900182 Fax: 852-26900213
 E-mail: sales@artland-tech.com
 www.artland-tech.com

Series KT



Power Wirewound Resistors vertical, circuit breaker, fibre glass core, ceramic case

Packaging:

Type	Packaging	Pieces	Pack.-Code
212-7	bulk	200	AC
214-7	bulk	200	AC
216-7	bulk	200	CG
218-7	bulk	100	AC

Ordering example: 212-7 R15 5% AC
 Type Value Tolerance Pack.-Code

Distributed by ARTLAND.
Tel: 852-26900182 Fax: 852-26900213
E-mail: sales@artland-tech.com
www.artland-tech.com