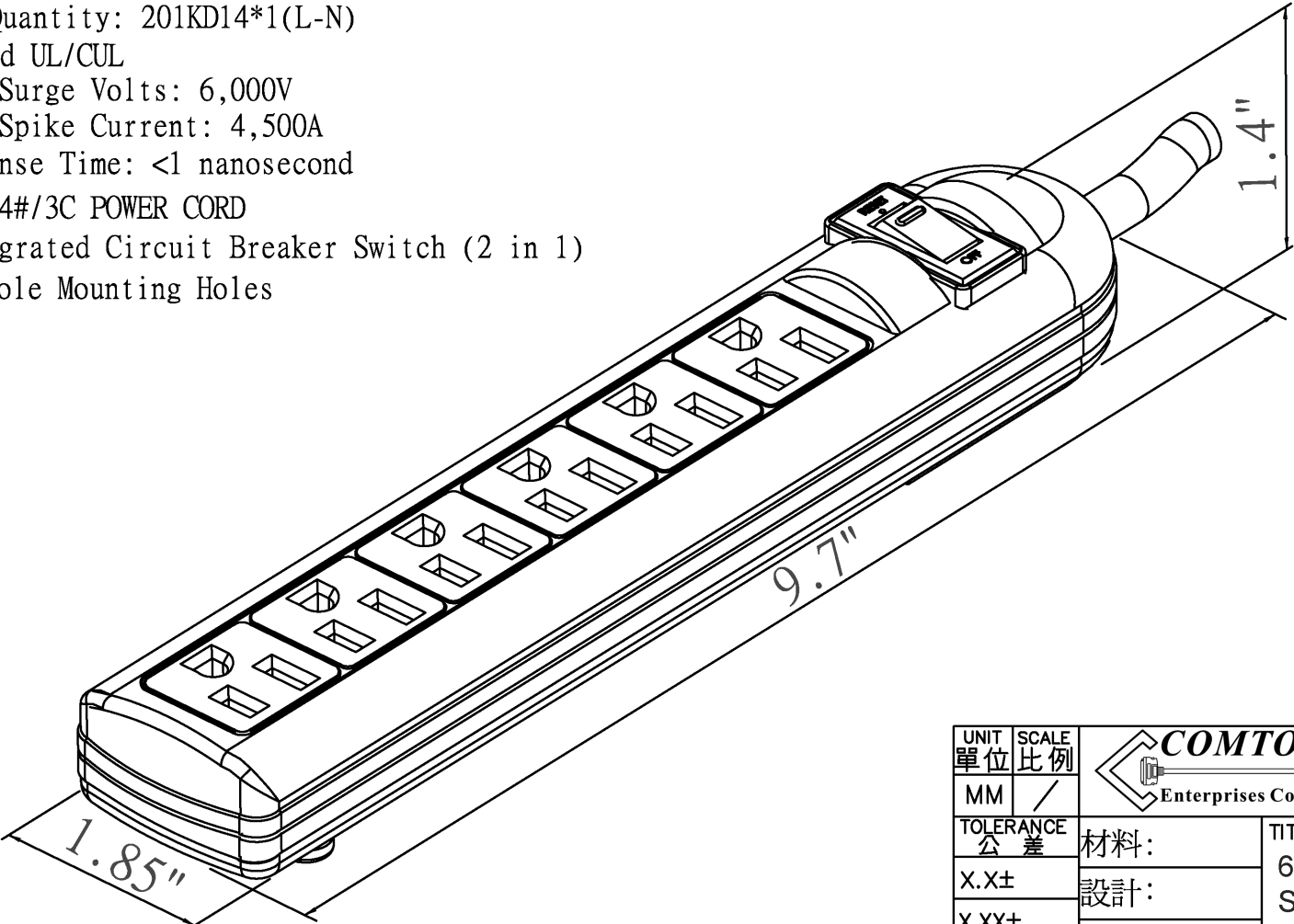



1 2 3 4 5 6 7 8 9

REV 改版	CHANGE DESCRIPTION 記錄說明	REVISED 修版者	APPROVED 審核	DATE 日期

- 6 OUTLET SURGE STRIP
1. Clamping Voltage: 330V
 2. Electrical : 125V/15A 1875Watts.
 3. Joule Ratings: 150 Joules
 4. Mov Quantity: 201KD14*1(L-N)
 5. Listed UL/CUL
 6. Max. Surge Volts: 6,000V
 7. Max. Spike Current: 4,500A
 8. Response Time: <1 nanosecond
 9. SJT 14#/3C POWER CORD
 10. Integrated Circuit Breaker Switch (2 in 1)
 11. Keyhole Mounting Holes



UNIT 單位	SCALE 比例	 COMTOP Enterprises Corp.	268 Benton Court City of Industry, CA 91789 Tel.: 909-468-5737 Fax: 909-468-5726	
MM	/		TOLERANCE 公差	材料: 設計: 知會: 核准:
X.X±				REV 版次
X.XX±				
ANGLE 角度	°			
⊕ ⊖				