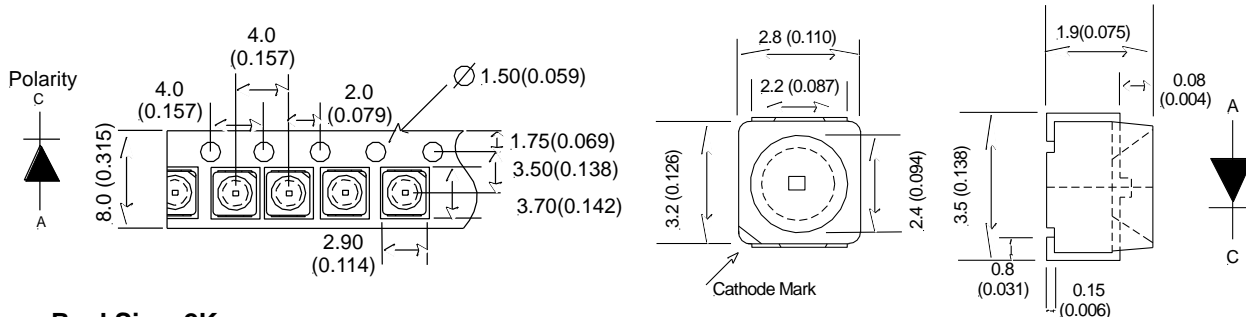




MCDL-1210XX (3.2 X 2.8 X 1.9 MM TOPLED, PLCC)

Lens Color: Water Clear

Dimension: 3.4 x 2.8 x 1.9 mm



Reel Size: 2K

Absolute Maximum Rating: (Ta=25°C)

Parameter			Unit
DC Forward Current	25		mA
Reverse Voltage	5		V
Power Dissipation	80		mW
Peak Forward Current, $t_w = 1$ msec. Duty $\leq 1/20$	150		mA
Operation Temperature	-40°	+100°	°C
Storage Temperature	-40°	+100°	°C
Solder DIP (5 seconds, 1.6 mm from body) Temperature	260°	± 5°	°C

Electrical Optical Characteristics Ta=25°C

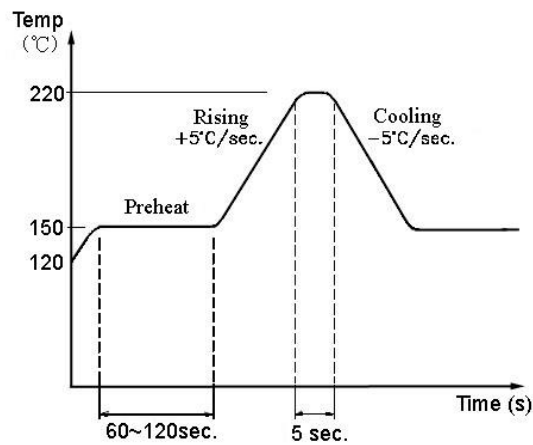
Part Number	EMITTED COLOR		Lens Color	Peak Wavelength (nm)	Vf (v) Typ	IV (If=20mA) mcd		Viewing Angle 2 θ 1/2
						Min.	Max.	
MCDL-1210LRC	GaAlAs	Super Red	Water Clear	660	1.9	70	180	120°
MCDL-1210URC	GaAlAs	Super Red	Water Clear	660	1.9	200	400	120°
MCDL-1210UEC	GaAlInP	Super Orange Red	Water Clear	625	2.1	350	500	120°
MCDL-1210UYC	GaAlInP	Super Yellow	Water Clear	590	2.1	350	500	120°
MCDL-1210UGC	GaAlInP	Super Yellow Green	Water Clear	573	2.1	150	250	120°
MCDL-1210UBC	InGaN	Super Blue	Water Clear	470	3.5	300	400	120°
MCDL-1210BGC	InGaN	Super Cyan	Water Clear	505	3.5	300	400	120°
MCDL-1210PGC	InGaN	Super Pure Green	Water Clear	525	3.5	800	1000	120°
MCDL-1210WC	InGaN	Super White	Water Clear	**	3.5	600	700	120°
MCDL-1210UWC	InGaN	Super White	Water Clear	**	3.5	900	1200	120°

Notes:

1. All Dimensions are in millimeter (inches).
2. Tolerance is ± 0.25mm (0.010") unless otherwise specified.
3. Specifications are subject to change without notice.

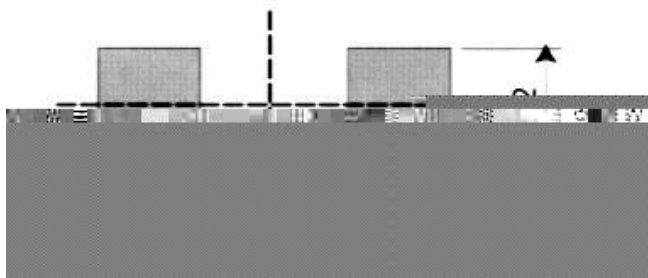


Reflow Temp. and Time.



Soldering Pad Dimensions:

Unit:mm



Package Tape Specifications: 3000

Viewing Pattern

