

20

FH55B

Convex Characters

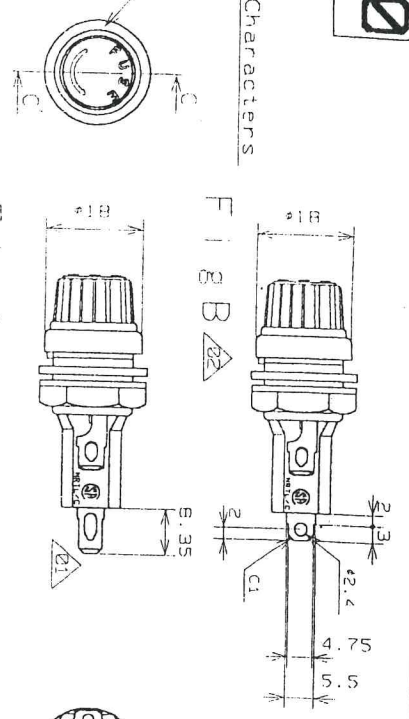
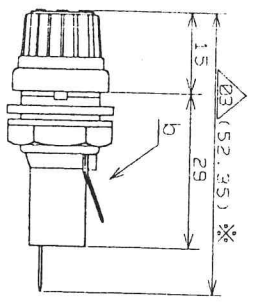
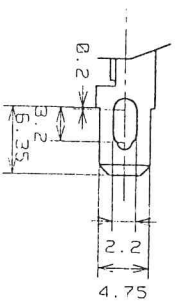


FIG A

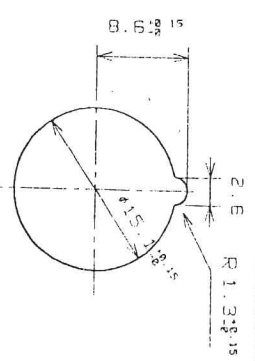
FIG B



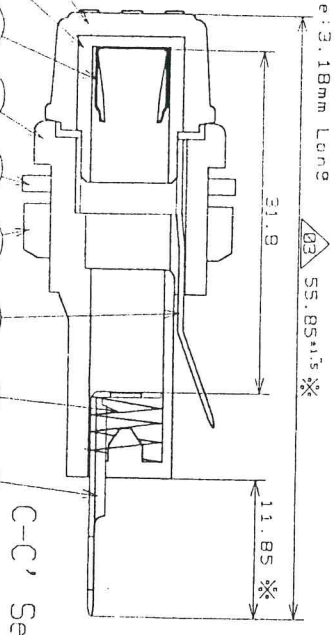
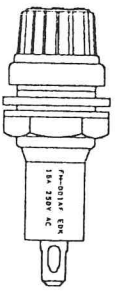
b Enlarged Drawing (2/1)



Mounting Hole (2/1)



Inserted Glass Fuse: 3.18mm Long



C-C' Section(2/1)

MARK: FASTON TERMINAL SIZE ONLY

| | | | | | |
|--------------------|-----|------------|-----------|-----------|-------|
| WORKS | B | FH-001AF-H | A23-0290B | K-1054 | BLACK |
| | A | FH-001AF | A23-0290A | K-1054 | BLACK |
| SCALE | 1:1 | | DIMENSION | DEVIATION | ±0.5 |
| FUSE HOLDER MODEL: | | | FH-001AF | | |

| | | | |
|----------------|----------------|----------------|-------------|
| DRAWN, DESIGN | CHECKED | APPROVED | DRAWING No. |
| Junaid 19.1997 | Junaid 19.1997 | Junaid 19.1997 | R23C755 |
| Shahzaib | S. S. Khan | T. Subhan | |

