

K1/K2

Snap-In
Rocker

Sealed, Illuminated Rocker Switches

Low Cost, Snap-In Rocker for Wet & Dusty Environments; 1 & 2 Poles

Quality Features:

- Withstands direct water spray.
- Submersible. Designed to meet IP68.
- Fits industry standard panel openings for drop-in replacement of panel sealed and unsealed switches.
- Snap-in feature accommodates a wide range of panel cut-outs.
- Switches up to 16 amps.
- UV and Solvent resistant.
- Withstands extreme shock & vibration.
- Custom legends available.
- 2- & 3-position, momentary and maintained action.
- Incandescent, LED and neon illumination with independent and dependent light source options.

The K series rockers are rugged, high performance sealed switches designed for use under severe conditions found in marine, appliance, heavy equipment and industrial control applications. They are totally sealed so the switch can withstand direct water spray and submersion, even during operation. They are designed to meet the international submersion specification level IP68. An optional panel seal is also available.

The K1 series is offered in single pole configuration while the K2 series is available in single and double pole configurations. Both series offer illuminated models. Illumination can be independent or dependent of the switch position or a combination of both. A choice of red, green, clear or amber colored lens are offered in illuminated models. Illumination options include incandescent, LED or neon light sources.

Mounting is simple and quick; snaps into panel from the front. The OTTO snap-in design supports a variety of panel thicknesses with just one cut-out size specified; other manufacturers require trial-and-error cut-out sizing.

Existing unsealed or sealed applications are easily upgraded to sealed functionality because the K series drops into existing panel cut-outs.

A choice of models are offered to handle power levels to 16 amperes, 1/2 HP and low level electronic switching applications.



K1 Series
Single Pole



K2 Series
Single & Double Pole

Standard Characteristics/Ratings:

OPERATIONAL:

Mechanical Life: 100,000 cycles, minimum

Seal: Watertight, submersible to IP68

Temperature Range: -30°C to +85°C

Button & Case: Thermoplastic

Terminals: Copper alloy

Contacts: Fine Silver/Silver cad. oxide

ELECTRICAL: (at 28 VDC or 115 VAC, 60/400 Hz.)

Load	Rating	Life (Min.)
Resistive	16A	25,000 cycles
Resistive	10A	50,000 cycles
Inductive	10A	25,000 cycles
Lamp	5A	25,000 cycles
Motor	1/2HP	25,000 cycles

Dielectric Withstand: 1500V r.m.s

Sealed, Illuminated Rocker Switches

K1/K2

Snap-In
Rocker

Low Cost, Snap-In Rocker for Wet & Dusty Environments; 1 & 2 Poles

K1 Series PART NUMBER CODE

Terminal Style/ Switch Rating	Actuator Color/Style	Switch Action/Circuit				Light Source Type	Lens Color		Light Circuit Location	Legend and Orientation ①
		Code	Position "A"	Position "B"	Position "C"		Circuit	Position "A"		
A. Q.C./Standard	A. Red/Rocker	A.	ON	None	OFF	SPST	A. No Lens	A. No Lens	A. No light	A. No Legend
B. Screw/Standard	B. Black/Rocker	B.	ON	None	ON	SPDT	B. Red	B. Red		
C. Solder/Standard	C. White/Rocker	C.	MOM-ON	None	OFF	SPST	C. Green	C. Green		
D. Q.C./Low level	D. Red/Paddle	D.	MOM-ON	None	ON	SPDT	D. Amber	D. Amber		
E. Screw/Low level	E. Black/Paddle	E.	MOM-ON	OFF	MOM-ON	SPDT	E. Clear	E. Clear		
F. Solder/Low level	F. White/Paddle For custom colors, contact factory.	F.	ON	OFF	ON	SPDT	All LEDs have clear or same color lens. All NEON have clear or amber lens.	All LEDs have clear or same color lens. All NEON have clear or amber lens.		
		G.	MOM-ON	OFF	ON	SPDT				
		H.	ON	None	OFF	DPST				
		J.	ON	None	ON	DPDT				
		K.	MOM-ON	None	OFF	DPST				
		L.	MOM-ON	None	ON	DPDT				
		M.	MOM-ON	OFF	MOM-ON	DPDT				
		N.	ON	OFF	ON	DPDT				
		P.	MOM-ON	OFF	ON	DPDT				

Position "A"

2,4 1,3

Position "B"

2,4 1,3

Position "C"

2,4 1,3

2 1
4 3

NOTE: LED anode (+) terminal number shown in bold.

① All legends will be white except for actuator codes C and F which will be black.

K2 Series PART NUMBER CODE

Terminal Style/ Switch Rating	Actuator Color/Style	Switch Action/Circuit				Light Source Type	Lens Color		Light Circuit Location	Legend and Orientation ①
		Code	Position "A"	Position "B"	Position "C"		Circuit	Position "A"		
A. Q.C./Standard	A. Red/Rocker	A.	ON	None	OFF	SPST	A. No Lens	A. No Lens	A. No light	A. No Legend
B. Screw/Standard	B. Black/Rocker	B.	ON	None	ON	SPDT	B. Red	B. Red		
C. Solder/Standard	C. White/Rocker	C.	MOM-ON	None	OFF	SPST	C. Green	C. Green		
D. Q.C./Low level	D. Red/Paddle	D.	MOM-ON	None	ON	SPDT	D. Amber	D. Amber		
E. Screw/Low level	E. Black/Paddle	E.	MOM-ON	OFF	MOM-ON	SPDT	E. Clear	E. Clear		
F. Solder/Low level	F. White/Paddle For custom colors, contact factory.	F.	ON	OFF	ON	SPDT	All LEDs have clear or same color lens. All NEON have clear or amber lens.	All LEDs have clear or same color lens. All NEON have clear or amber lens.		
		G.	MOM-ON	OFF	ON	SPDT				
		H.	ON	None	OFF	DPST				
		J.	ON	None	ON	DPDT				
		K.	MOM-ON	None	OFF	DPST				
		L.	MOM-ON	None	ON	DPDT				
		M.	MOM-ON	OFF	MOM-ON	DPDT				
		N.	ON	OFF	ON	DPDT				
		P.	MOM-ON	OFF	ON	DPDT				

Position "A"

2,4 1,3

Position "B"

2,4 1,3

Position "C"

2,4 1,3

2 1
8 7
4 3

NOTE: LED anode (+) terminal number shown in bold.

① All legends will be white except for actuator codes C and F which will be black.

ORDERING INFORMATION

Example of building an OTTO Rocker switch part number:

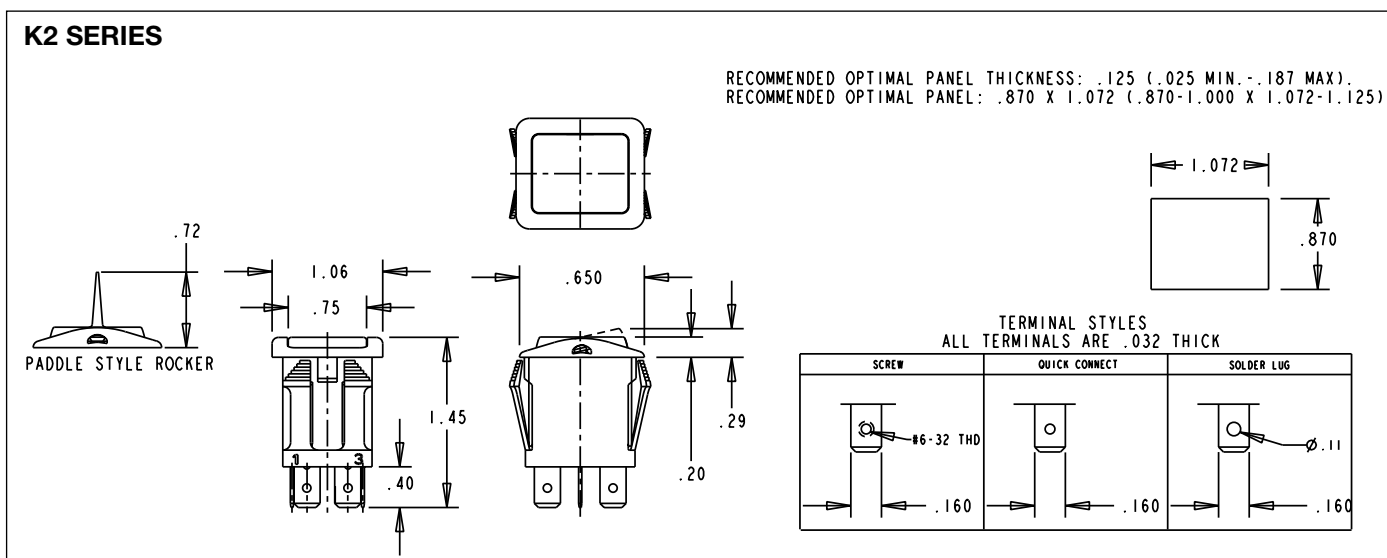
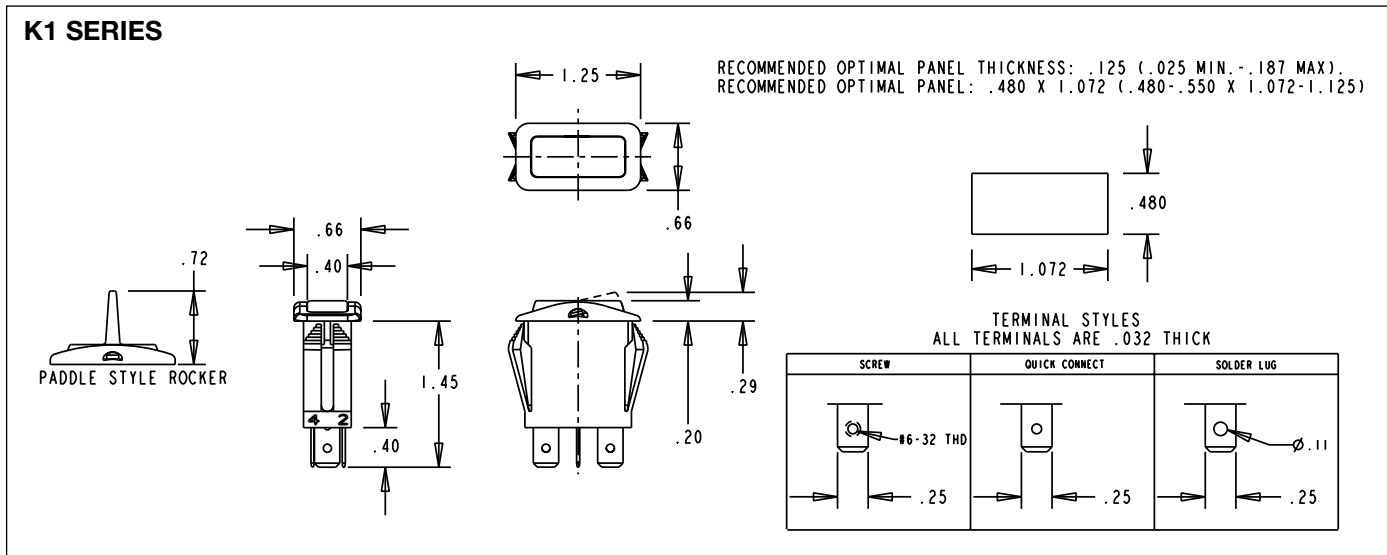
K2ACKEEABA specifies a double wide housing, Q.C. terminals, standard rating; white rocker; DPST two position momentary ON, Maintained OFF; 125VAC neon light; clear lens in positions "A", no lens in position "C"; dependent light ON in position "A", wired to terminals 1 & 7; no legend.

K1/K2

Snap-In
Rockers

Sealed, Illuminated Rocker Switches

Low Cost, Snap-In Rocker for Wet & Dusty Environments; 1 & 2 Poles



- K2 Connector part number C801765.

Recommended Quick Connect Terminals.

- AMP 60253-2 for 12-16 AWG wire with .160"-.210" insulation OD.
- AMP 42100-2 for 14-18 AWG wire with .100"-.170" insulation OD.
- K1 Dummy Plug part number C100694-2.
- K2 Dummy Plug part number C100695-2.