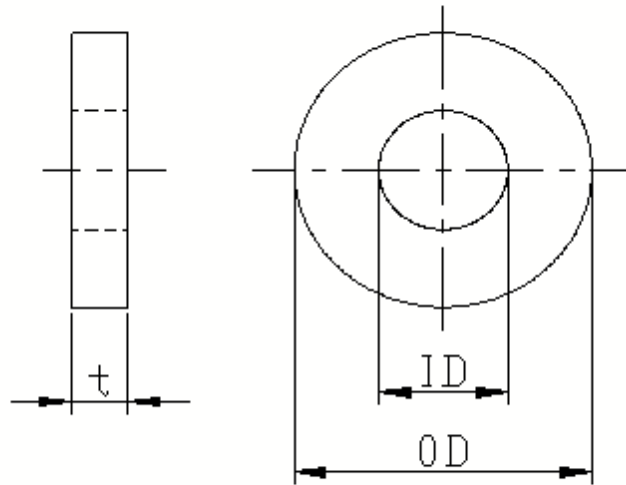


Date	Rev.	Description



ID: 12.2±0.3 OD:18±0.5 t:0.5±0.3

DCC. NO.
A4 DRAWING NO.

				GOLDSUN ELECTRONICS CO., LTD.			
				JAMECO NO. 2183306		GOLDSUN NO.	
DRAWN: NOMO				Description M12 Flat Washer			Rev. 1
VERIFY PEOPLE: Chesley				UNIT: mm	SCALE:	SHEET 1 OF 1	CAS No: ERN No: