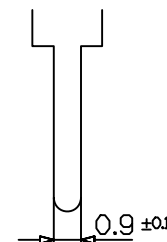
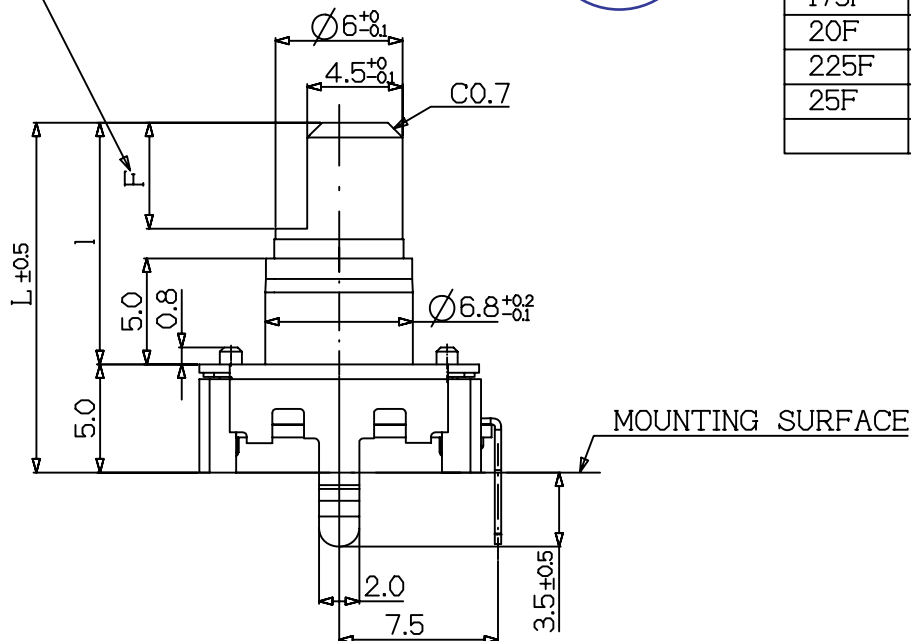


WITHIN THIS LENGTH $\phi 6^{+0}_{-0.05}$

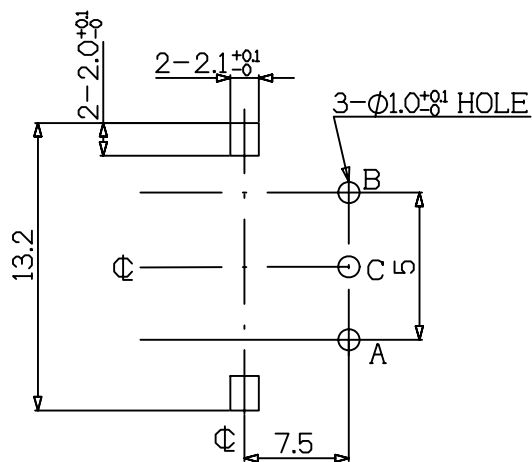
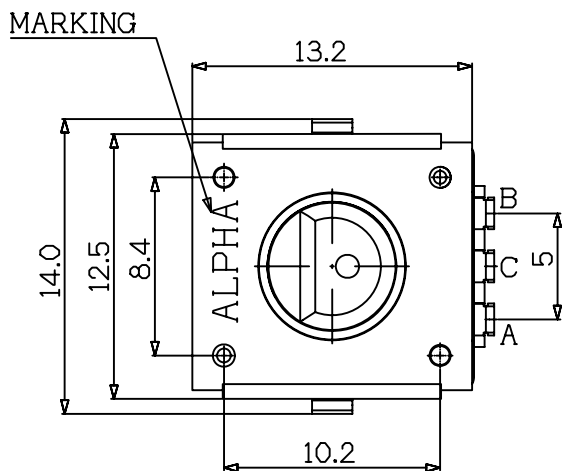


	L	l	F
175F	17.5	12.5	5
20F	20	15	7
225F	22.5	17.5	7
25F	25	20	12



TERMINAL DETAIL

P.C.B MOUNTING DETAIL (TOLERANCE ±0.1)



P. C. B. t=1.6mm

24 PULSES
12
VERTICAL TYPE WITHOUT SWITCH
-24P
RE130F-40-(L)F-12P

No.	DATE	DESCRIPTION	PART No.	NAME
-----	------	-------------	----------	------

TOL.UNLESS OTHERWISE STATED	DIMENSION	SCALE	DRAW BY	CHECKED BY	APPROVED BY	DRAWING No.
less than 10 ±0.3	mm	3:1	Chiang	江 96.5.3 進三	江 96.5.3 進三	
above 10-30 ±0.5						
above 30-100 ±1.0						
above ±5'						