

APPROACH - Rocker Switch / Circuit Breaker SS-001 Series

Features

- Trip-free.
- Standard rating : 2 to 20 amp AC 125V & 250V, 32VDC (UL, CUL), 3 to 16 amp AC 250V(TUV VDE).
- Provides circuit protection and power switching in a single unit.
- Snaps into the same cutout as many common power switches.
- Various color, body, top cover, terminal typical.

Typical Applications

Motors, Transformers, Household and office machines, Instrumentation, Surge protectors, Power centers.

International Patent

TAIWAN. CHINA. USA. JAPAN. THAILAND.
KOREA. GERMANY. UK.

Safety Approvals



Technical Data

Electrical Data @25°C

Calibration:

Will continuously carry 100% of rating, must trip at 150% of rating within one hour at + 25 C.

Dielectric Strength:

Withstands 1500VAC at 50/60 Hz for 60 seconds. Between all electrically isolated terminals.

Insulation Resistance:

Not less than 100 megohms at 500VDC.

Maximum Operating voltages:

125 or 250VAC, 50/60 Hz. (model dependent)

Endurance:

6,000 operations at a rate of 6 operations per minute. (full rated current)

Ambient operation:

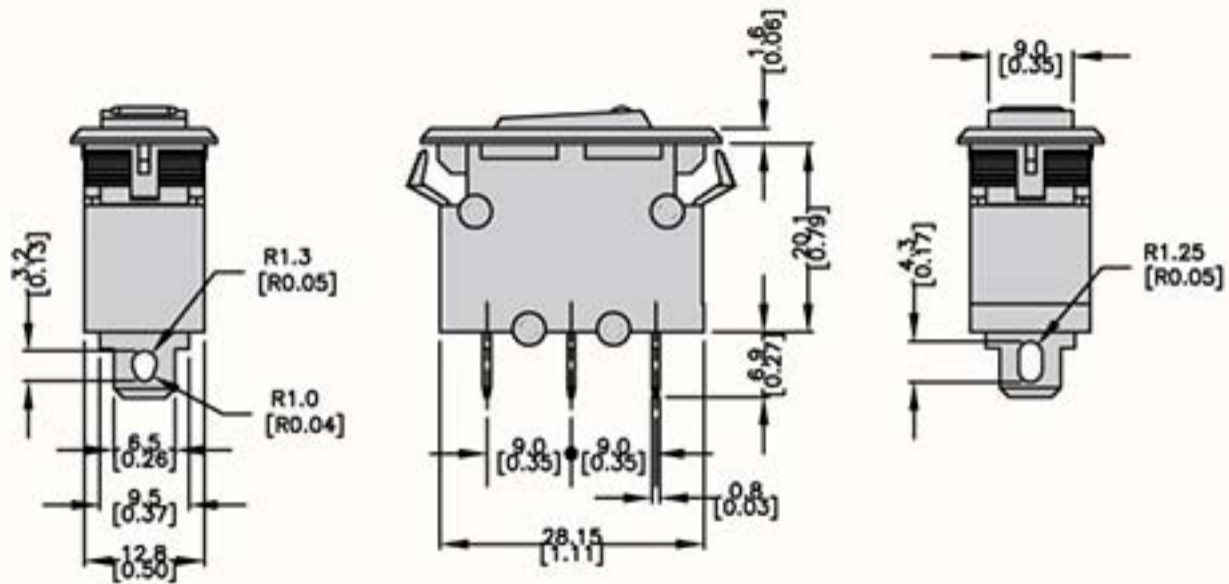
Operates normally in temperatures between -20°C to + 85°C.



Ordering Information

CB L L A F B B 1 R R 1 1 - 01

↑	Customer Number	01
↑	Special Code	- : Normal
↑	Marking Option	1 : RESET OFF
↑	Actuator Color Category	1 : Red #1
↑	Actuator Color Option	R : Red Translucent
↑	Actuator Style	R : R Type Protruding Plane
↑	Housing Color Category	1 : Black
↑	Housing Color Option	B : Black
↑	Housing Style	B : B Type Plane
↑	Current Rating	F : 15 Amp
↑	Voltage & Thickness of Ag	A : AC 125V 0.2mm C : AC 250V 0.2mm
↑	Terminal Style Option	L : Long S : Short
↑	Lamp Option	L : With Lamp N : Without Lamp
↑	Product Code	CT : SS-001T (Trip-free) CB : SS-001C (Trip-free, cycling)



Internal connection diagram



CIRCUIT DIAGRAM

Ambient Compensation Table

Ambient Temperature in °C	Rating Correction Factor 2A~20A Models
-20	X1.7
-5	X1.2
10	X1.1
20	X1.05

Time VS. Current Trip Curve @+25° C

CURRENT LEVEL (% OF RATED)

100%
150%
200%
300%
400%
500%
600%

TRIP TIME

NO TRIP
TRIP IN 1 HOUR
3.5 ~ 60 SEC.
0.7 ~ 10 SEC.
0.35 ~ 5.0 SEC.
0.2 ~ 2.8 SEC.
0.1 ~ 1.8 SEC.

25

X1

30

X0.9

40

X0.8

50

X0.7

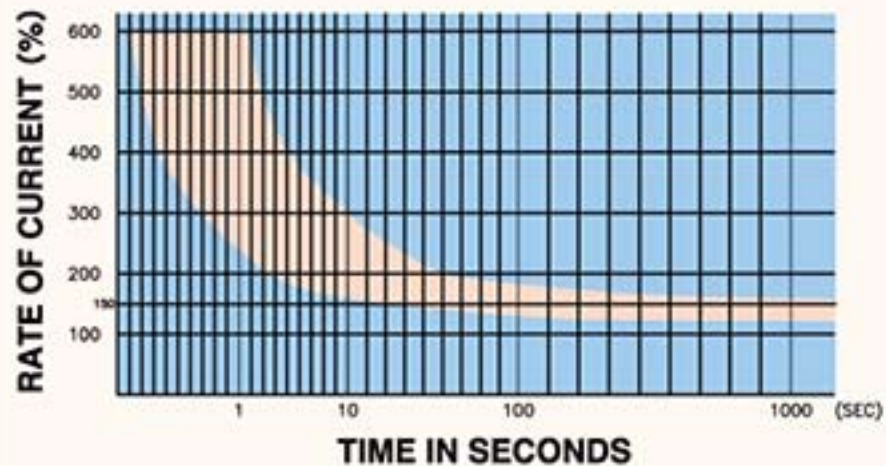
60

X0.6

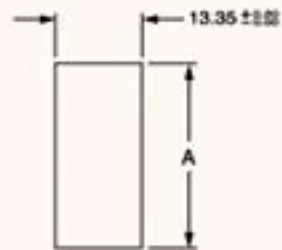
85

X0.45

(Ambient Temperature at 25° C)



Suggested Mounting Hole



THICKNESS

DIMENSION (A)

0.8~1.0

$28.4 \begin{smallmatrix} +0.1 \\ -0 \end{smallmatrix}$

1.1~1.4

$28.8 \begin{smallmatrix} +0.1 \\ -0 \end{smallmatrix}$

1.5

$29.0 \begin{smallmatrix} +0.1 \\ -0 \end{smallmatrix}$