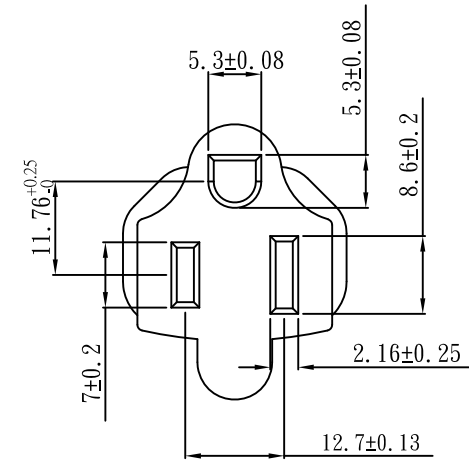
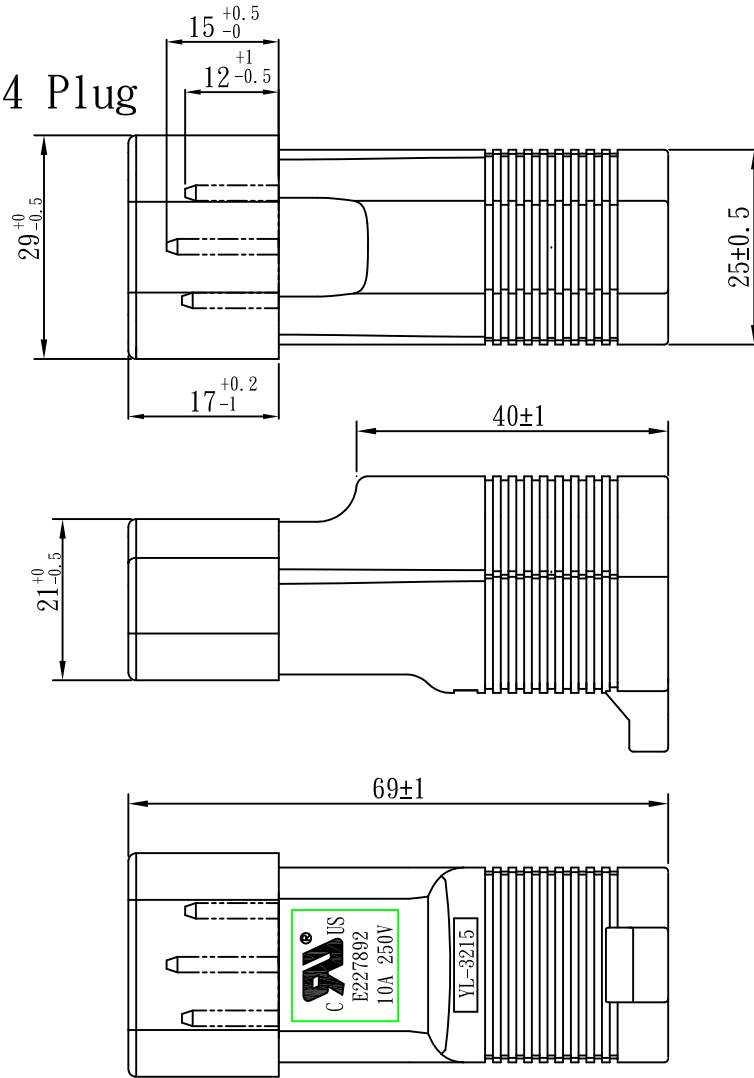
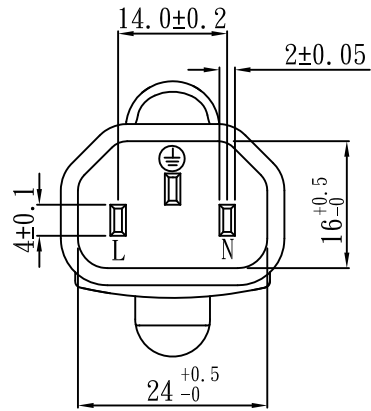




NEMA 5-15R to IEC 60320 C14 Plug



Note:

1. Rating: 10A 250V
2. Insulation Resistance: $100M \Omega$
3. Dielectric Voltage: 2000V/sec

Tolerance $>0 \pm 0.30$ $>1.0 \pm 0.50$ $>10.0 \pm 1.0$ $>20.0 \pm 2.0$ Angle: $\pm 1^\circ$	Approved		Date	YUNG LI CO.,LTD				
	Checked		Date					
	Drawn		Date	Customer				
	Cat. No.	YL-3215			P/N.			
	Drawing No.	CY-A3215U	Rev.	B	Material	P.V.C	Unit	mm
				Scale				