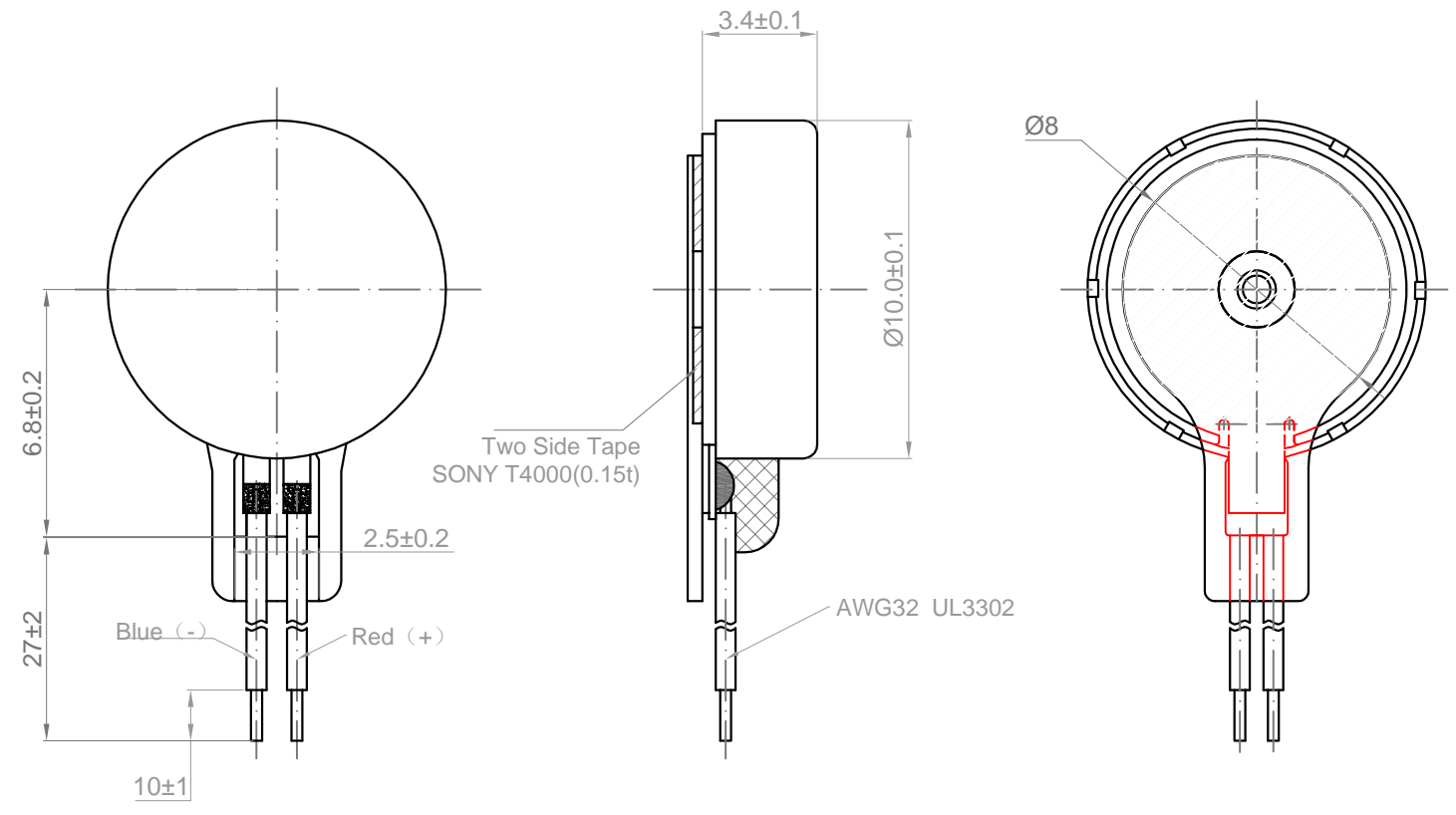


Rev.	Description	Date
01	Release for Production	09/04/2012



NO.	Item	Specification	NO.	Item	Specification
1	Rated Voltage	3.0VDC	7	Insulation resistance	10M Ω Min
2	Operating voltage	2.7~3.3VDC	8	Terminal resistance	32 Ω ±15%(single posture)
3	Starting voltage	2.3VDC			
4	Starting Current	120mA Max			
5	Rated Speed	9000±10%RPM			
6	Rated Current	80mA Max			

Drawn	L	04/23/2016	<h1>Sinotech</h1>		
Checked					
Eng Appr.					
Mfg Appr.					
Q.A.					
PN	2189476		Size : A4	Weight(Kg):	Unit: mm
			Scale: 10:1		Sheet 1of 1