



Features:

- 13 Functions
- 10 Time Ranges
- Front knobs for Time Range, Time Scale & Mode Setting
- Slim, Space Saving Design
- DIN Rail Mount

Size: DIN 17.5mm

Certifications: PENDING

Technical Specifications

Input Specifications

| | |
|----------|---|
| Accuracy | Setting: $\pm 5\%$ of F.S. Repeat: $\pm 0.5\%$ (F.S. = Full Scale) |
| Reset | Reset time < 100 msec |

Output Specifications

| | |
|----------------|----------------------|
| Output Contact | SPDT (1 C/O) |
| Contact Rating | NO/5A, NC/3A@250V AC |

Functional Specifications

| | |
|-------------|--|
| Modes | On delay (A) Interval (B) Cyclic equal OFF first (C) Cyclic equal ON first (Ci) Pulse output, 500ms fixed (D) Delay on break (E) Delay on make / Delay on break (F) Interval after break (H) Single shot (I) Retriggerable Single shot (J) Latching relay (K) Delay with Totalise (Ai) Interval with totalise (Bi) |
| Time Ranges | 0.1 - 1 sec, 0.3 - 3 sec, 1 - 10 sec, 3 - 30 sec 0.1 - 1 min, 0.3 - 3 min, 1 - 10 min, 3 - 30 min 0.1 - 1 hr, 0.3 - 3 hr |

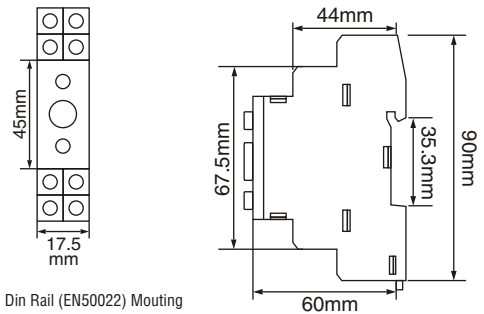
Supply Voltage

| | |
|-------------------|---|
| Supply Voltage | 20-240V AC 12-240V DC AC : (50 / 60 Hz) |
| Power Consumption | 4VA max |

Environmental Specifications

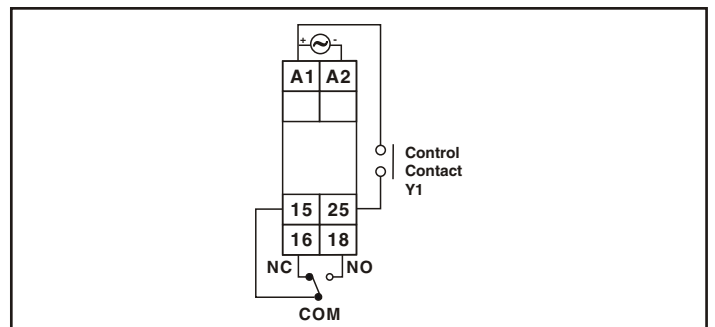
| | |
|---------------------------|--|
| Temperature | Operating: 0 to 50°C (32 to 122°F) Storage: -20 to 75°C (-4 to 167°F) |
| Humidity (non-condensing) | 95% RH |
| Weight | 64 gms |
| Protection Level | IP50 for faceplate IP40 for housing IP20 for terminals |

Dimensions



Symmetrical 35mm Din Rail (EN50022) Mounting

Terminal Connections



Cable Size (AWG): 16 ; Tightening Torque (Lb-inch): 4.5

Cable Size (mm²): 1.5 ; Tightening Torque (N-m): 0.5

| Part No. | Supply Voltage |
|----------|----------------|
| | |

Ordering Information

| Part No. | Supply Voltage | Certification | |
|----------|--------------------------|---------------|---------|
| | | | PENDING |
| 600XU | 20-240V AC 12-240V DC | ■ | ■ |
| 600XU-CU | 20-240V AC 12-240V DC | ■ | ■ |

Timing Diagram

