

OPERATING INSTRUCTIONS : OP_600XU OP374-V02

selec 600XU (17.5mm)
Operating Instructions

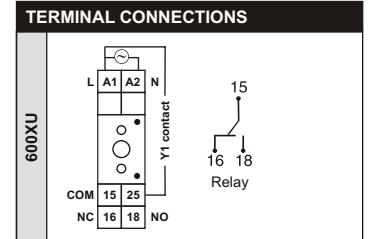
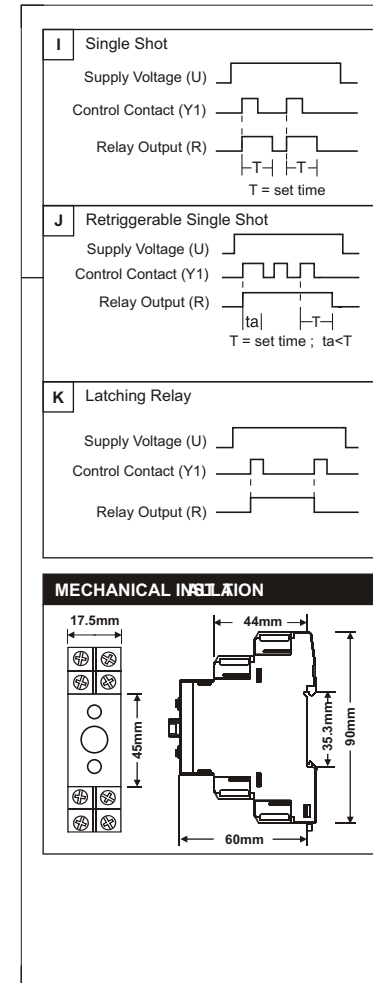
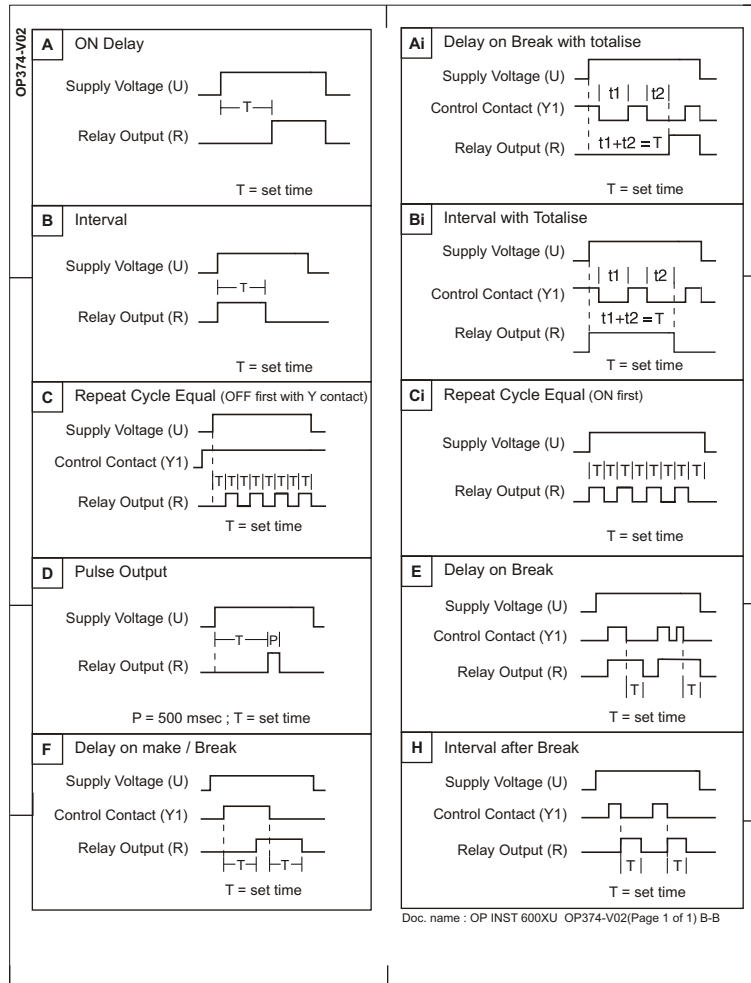


600XU is a multifunction timer with 13 functions and 10 time ranges from 0.1 Sec ~ 1 Sec to 0.3 Hr. ~ 3Hr.

Top knob:- This knob has 10 steps. The function of this knob to select a time range. Each step of this knob gives times ranges as below
0.1~1 Sec, 0.3~3 Sec, 1~10 Sec, 3~30 Sec, 0.1~1 Min, 0.3~3 Min, 1~10 Min, 3~30 Min, 0.1~1 Hr, 0.3~3 Hr

Middle knob:- This knob allows the user to set desired time period to execute the function within the time range selected through top knob. This knob also has 10 steps. For example, top knob is selected at 3rd position which selects the timer in 0~10 Sec time range and the middle knob is selected at position 5, then timer will operate for 5 Second or will consider "T" = 5 Sec as per the timing diagrams explained further.

Bottom knob:- This knob selects 1 of the 13 functions as mentioned next in each timing diagram



ORDER CODE INFORMATION

Product	Supply	Certification
600XU	12 to 240V DC, 20 to 240V AC,	
600XU-A-1-CU	3.2VA, 50 / 60Hz	

Note : ■ Applicable

(Specifications subject to change as development is a continuous process.)

Selec Controls Pvt. Ltd., India
Factory Address :
EL-27/1, Electronic Zone, TTC Industrial Area,
MIDC, Mahape, Navi Mumbai - 400 710, INDIA.
Tel. No. : +91-22-28476443 / 1882
Fax No. : +91-22-28471733 | Toll free : 1800 227 353
Website: www.selec.com | Email: sales@selec.com

Doc. name : OP INST 600XU OP374-V02(Page 1 of 1) B-B

OPERATING SIZE : A5 ; PAGE : 1 (B-B)

Prepared By	Checked By	Sales Engg. By	Marking Engg. By	Approval By
-------------	------------	----------------	------------------	-------------