

MODELS 7274, 7276

7/8" Diameter

Plastic 10-Turn

Wirewound

Precision Potentiometer



2

MODEL STYLES

| | |
|------|--------------------------|
| 7274 | 6mm Shaft, 3/8" Bushing |
| 7276 | 1/4" Shaft, 3/8" Bushing |

ELECTRICAL

| | |
|---|------------------------------------|
| Resistance Range, Ohms | 100 to 100K |
| Standard Resistance Tolerance | ±5% |
| Independent Linearity | ±0.25% |
| Power Rating, Watts | 2.0 at 25°C derating to 0 at 105°C |
| Dielectric Strength | 1,000V rms |
| Insulation Resistance, Minimum | 1,000 Megohms |
| Noise, Maximum | 100 Ohms |
| Actual Electrical Travel | 3600° + 10° - 0° |
| Tap Tolerance | ±3° |
| End Voltage, Maximum (% of input voltage) | 0.25% |

ENVIRONMENTAL (MIL-R-12934)

| | |
|-----------------------------|--|
| Operating Temperature Range | -25°C to +105°C |
| Temperature Cycling | 5 cycles, -25°C to +105°C (5% ΔR) |
| Shock, 6ms Sawtooth | 100G's (0.1ms discontinuity max.) |
| Vibration | 10G's, 10 to 500 Hz (5% ΔR, 0.1ms discontinuity max.) |
| Moisture Resistance | Five 24 hour cycles (3% ΔR) |
| High Temperature Exposure | 1,000 hours at 105°C (5% ΔR) |
| Rotational Load Life | 500K shaft rev. + 900 hrs. at rated wattage at 25°C (5%ΔR) |

Specifications subject to change without notice.

MECHANICAL

| | |
|--------------------------------------|------------------|
| Total Mechanical Travel | 3600° + 15° - 0° |
| Number of Gangs, Maximum | 1 |
| Weight, Nominal | 0.42 oz. |
| Static Stop Strength, Maximum | 60 oz.-in. |
| Backlash, Maximum | 2° |
| Panel Nut Tightening Torque, Maximum | 8 lb.-in. |
| Shaft End Play, Maximum | .010" |
| Shaft Radial Play, Maximum | .010" |
| Start/Run Torque, Maximum | 1.5 oz.-in. |

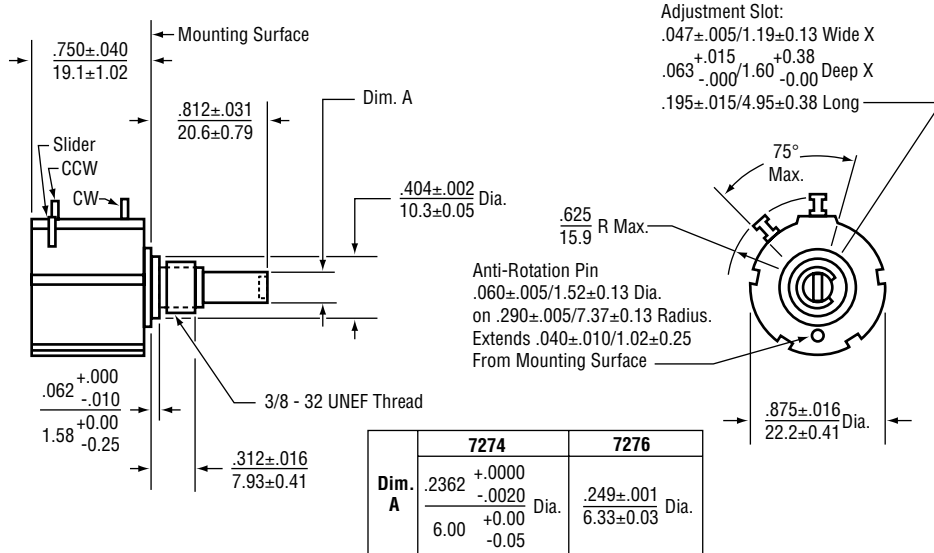
STANDARD RESISTANCE VALUES, OHMS

| Total Resistance | Theoretical Resolution (% Nominal) | Tempco of Wire |
|------------------|------------------------------------|----------------|
| 100 | 0.059 | ±20 ppm/°C |
| 200 | 0.037 | ±20 ppm/°C |
| 500 | 0.030 | ±20 ppm/°C |
| 1K | 0.024 | ±20 ppm/°C |
| 2K | 0.020 | ±20 ppm/°C |
| 5K | 0.018 | ±20 ppm/°C |
| 10K | 0.017 | ±20 ppm/°C |
| 20K | 0.016 | ±20 ppm/°C |
| 50K | 0.010 | ±20 ppm/°C |
| 100K | 0.009 | ±20 ppm/°C |

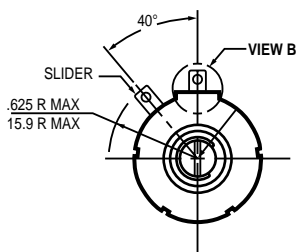
METRIC CONVERSIONS

| | | | |
|-------|---------|-----------|-----------|
| 1 in. | 25.4 mm | 1 oz.-in. | 0,007 N-m |
| 1 oz. | 28.4 gm | 1 lb.-in. | 0,113 N-m |

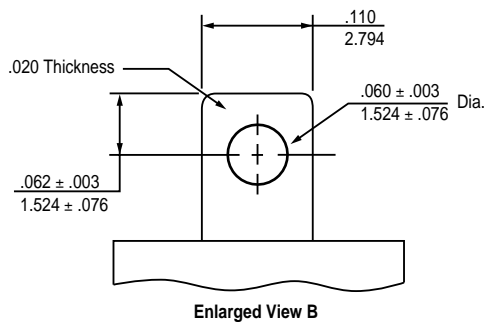
OUTLINE DIMENSIONS (Inch/mm)



OPTIONAL TERMINAL CONFIGURATION



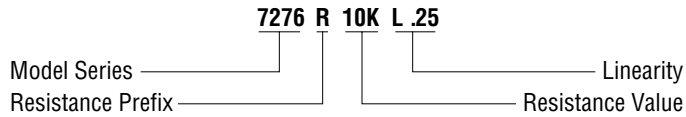
Use Special Feature Code "FT" to order.



SPECIAL FEATURES

| | |
|--|----|
| Center Tap | CT |
| Linearity Tape | LT |
| Flatted Shaft | FS |
| Shaft Lock | SL |
| Gold Plated Solder Lug Terminals (see optional terminal configuration) | FT |

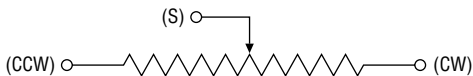
ORDERING INFORMATION



MATCHING TURNS COUNTING DIALS

2606, 2606S, 2607, 2607S, 2626, 2627, 2646, 2646S, 2647, 2647S, 2126, RB

CIRCUIT DIAGRAM



NOTES

Metric equivalents, based on 1 inch = 25.4mm are rounded to the same number of significant figures as in the original English units and are provided for general information only.

Tolerances unless otherwise specified:
 Linear = $\pm .01$ inches
 (.25mm)
 Angular = ± 2 degrees

