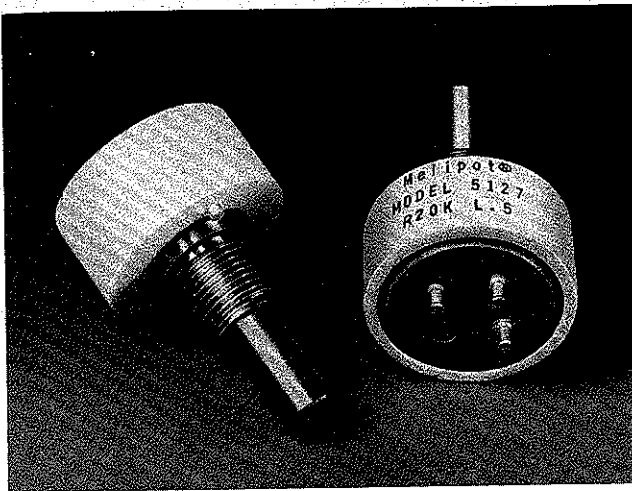


Series 5120 7/8" (22,225mm) Diameter Single-Turn Wirewound



Helipot Series 5120 precision potentiometers provide:

- Low temperature coefficient—20 ppm/°C (p/10⁶/°C) for most resistance values.
- High performance at low cost.
- 1-watt power rating at 70°C.
- 125°C maximum operating temperature.
- Stops optional.

Model:

- 5121 1/4" (6,350 mm) bushing mount with 1/8" (3,175 mm) shaft
- 5126 3/8" (9,525 mm) bushing mount with 1/8" (3,175 mm) shaft
- 5127 3/8" (9,525 mm) bushing mount with 1/4" (6,350 mm) shaft

SPECIFICATIONS

Electrical

| | |
|--------------------------------------|--|
| Standard resistance range, ohms | 100 to 15.0 K continuous model 100 to 14.0 K stop model |
| Standard resistance tolerance | ±5% |
| Min. practical resistance tolerance | ±2% |
| Standard linearity* (independent) | ±0.5% |
| Min. practical independent linearity | ±0.3% |
| Power rating, watts | 1W at 70°C, 0 at +125°C |
| Input voltage, max. | 400V DC |
| Dielectric strength | 750 rms |
| Insulation resistance | 1,000 MΩ min. |
| Actual electrical travel nominal | 340° ±2° continuous model 310° ±2° stop model |
| Electrical continuity travel | 340° nominal continuous model 320° ±3° stop model |
| Noise, max. | 100Ω |
| End voltage, max. | within standard linearity tolerance |

*Linearity is measured between 1.0% and 99% of the input voltage.

Mechanical

| | |
|-----------------------------|---|
| Number of turns | 1 |
| Total mechanical travel | 360° cont. on continuous model 320° ±3° stop model |
| Starting torque, max. | 1.0 oz-in. (0,0071 N*m) |
| Running torque, max. | 1.0 oz-in. (0,0071 N*m) |
| Number of cups, max. | 1 |
| Weight, single cup, approx. | 0.53 oz (15 g) |
| Static stop strength, max. | 40 oz-in. (0,28 N*m) |
| Housing | Plastic |
| Rear Lid | Plastic |
| Bushing | Brass |
| Shaft | Brass, nickel-plated |
| Terminals | Solderable |

Environmental

| | |
|-------------------------------------|--|
| Ambient temperature range | -65°C to +125°C |
| Temperature cycling | 5 cy.; -65°C to +125°C |
| Shock | 100 G's sawtooth |
| Vibration | 10 to 500Hz 10G |
| Humidity | Five 24-hour cycles |
| Temperature storage | 1000 hours at 125°C |
| High and low temperature operations | Mechanical operation -65°C and +125°C |
| Rotational life | 1,000,000 shaft rev. |

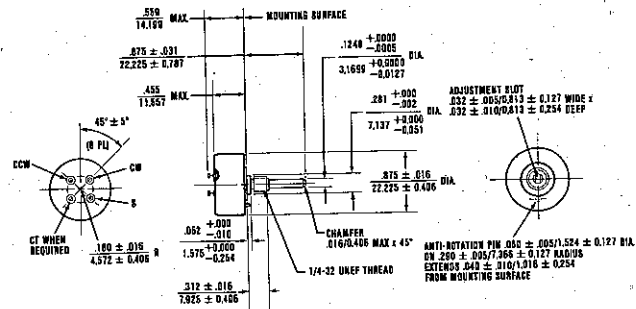
Standard Resistance Values Available without Setup Charge

| Total Resistance (ohms) | Theoretical Resolution Cont. Model | (% nominal) Stop Model | Wire Tempo (p/10 ⁶ /°C) |
|-------------------------|------------------------------------|------------------------|------------------------------------|
| 100 | .3622 | .3622 | ±130 |
| 200 | .3083 | .3416 | ±20 |
| 500 | .2236 | .2540 | ±20 |
| 1,000 | .1876 | .2087 | ±20 |
| 2,000 | .1708 | .1708 | ±20 |
| 5,000 | .1227 | .1366 | ±20 |
| 10,000 | .1030 | .1148 | ±20 |
| 14,000 | — | .1066 | ±20 |
| 15,000 | .0995 | — | ±20 |

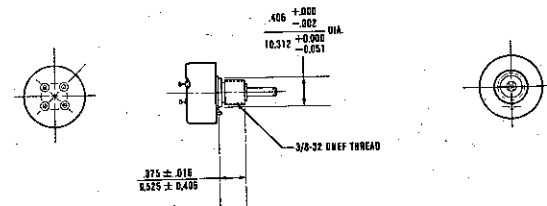
Special Features

- CT - center tap
- LT - linearity tape
- SL - shaft lock
- ST - stop

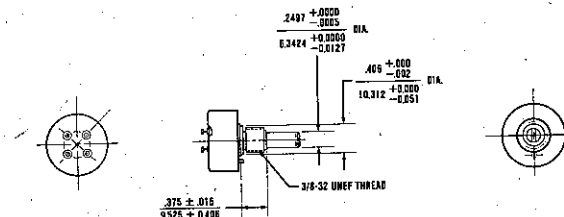
Model 5121



Model 5126

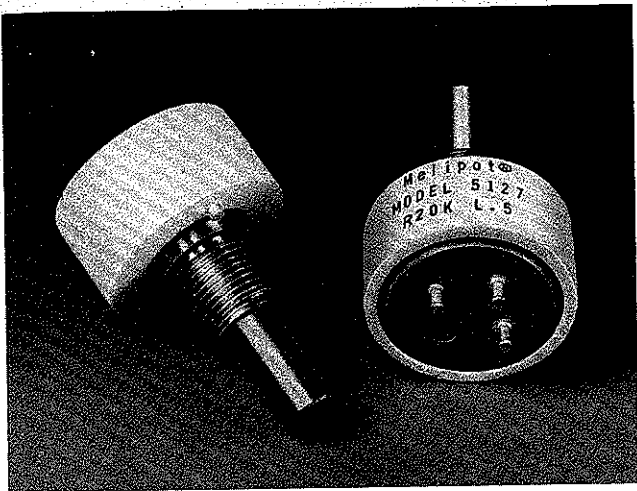


Model 5127



6 Potentiometers

Series 5120 7/8" (22,225mm) Diameter Single-Turn Wirewound



Helipot Series 5120 precision potentiometers provide:

- Low temperature coefficient—20 ppm/°C (p/10⁶/°C) for most resistance values.
- High performance at low cost.
- 1-watt power rating at 70°C.
- 125°C maximum operating temperature.
- Stops optional.

Model:

- 5121 1/4" (6,350 mm) bushing mount with 1/8" (3,175 mm) shaft
- 5126 3/8" (9,525 mm) bushing mount with 1/8" (3,175 mm) shaft
- 5127 3/8" (9,525 mm) bushing mount with 1/4" (6,350 mm) shaft

SPECIFICATIONS

Electrical

| | |
|--------------------------------------|--|
| Standard resistance range, ohms | 100 to 15.0 K continuous model 100 to 14.0 K stop model |
| Standard resistance tolerance | ± 5% |
| Min. practical resistance tolerance | ± 2% |
| Standard linearity* (independent) | ± 0.5% |
| Min. practical independent linearity | ± 0.3% |
| Power rating, watts | 1W at 70°C, 0 at +125°C |
| Input voltage, max. | 400V DC |
| Dielectric strength | 750 rms |
| Insulation resistance | 1,000 MΩ min. |
| Actual electrical travel nominal | 340° ± 2° continuous model 310° ± 2° stop model |
| Electrical continuity travel | 340° nominal continuous model 320° ± 3° stop model |
| Noise, max. | 100Ω |
| End voltage, max. | within standard linearity tolerance |

*Linearity is measured between 1.0% and 99% of the input voltage.

Mechanical

| | |
|-----------------------------|--|
| Number of turns | 1 |
| Total mechanical travel | 360° cont. on continuous model 320° ± 3° stop model |
| Starting torque, max. | 1.0 oz-in. (0,0071 N*m) |
| Running torque, max. | 1.0 oz-in. (0,0071 N*m) |
| Number of cups, max. | 1 |
| Weight, single cup, approx. | 0.53 oz (15 g) |
| Static stop strength, max. | 40 oz-in. (0,28 N*m) |
| Housing | Plastic |
| Rear Lid | Plastic |
| Bushing | Brass |
| Shaft | Brass, nickel-plated |
| Terminals | Solderable |

Environmental

| | |
|-------------------------------------|--|
| Ambient temperature range | -65°C to +125°C |
| Temperature cycling | 5 cy.; -65°C to +125°C |
| Shock | 100 G's sawtooth |
| Vibration | 10 to 500Hz 10G |
| Humidity | Five 24-hour cycles |
| Temperature storage | 1000 hours at 125°C |
| High and low temperature operations | Mechanical operation -65°C and +125°C |
| Rotational life | 1,000,000 shaft rev. |

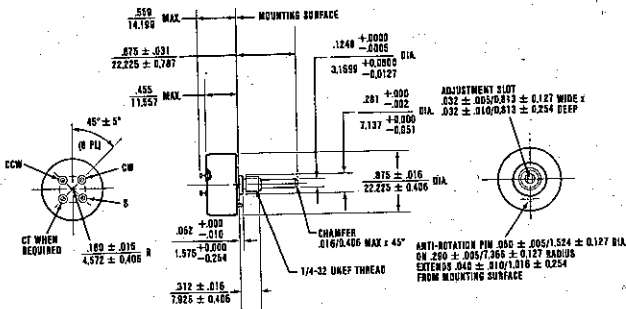
Standard Resistance Values Available without Setup Charge

| Total Resistance (ohms) | Theoretical Resolution Cont. Model | (% nominal) Stop Model | Wire Tempo (p/10 ⁶ /°C) |
|-------------------------|------------------------------------|------------------------|------------------------------------|
| 100 | .3622 | .3622 | ± 130 |
| 200 | .3083 | .3416 | ± 20 |
| 500 | .2236 | .2540 | ± 20 |
| 1,000 | .1876 | .2087 | ± 20 |
| 2,000 | .1708 | .1708 | ± 20 |
| 5,000 | .1227 | .1366 | ± 20 |
| 10,000 | .1030 | .1148 | ± 20 |
| 14,000 | — | .1066 | ± 20 |
| 15,000 | .0995 | — | ± 20 |

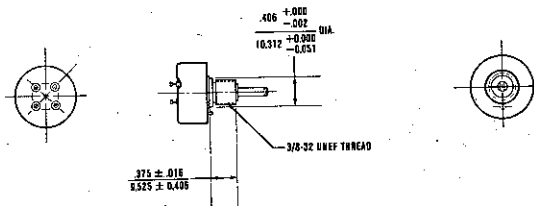
Special Features

- CT - center tap
- LT - linearity tape
- SL - shaft lock
- ST - stop

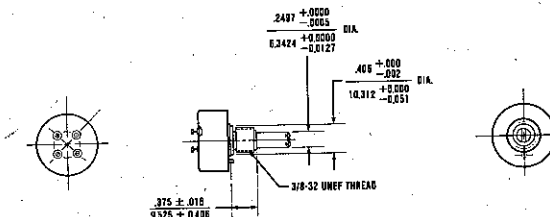
Model 5121



Model 5126

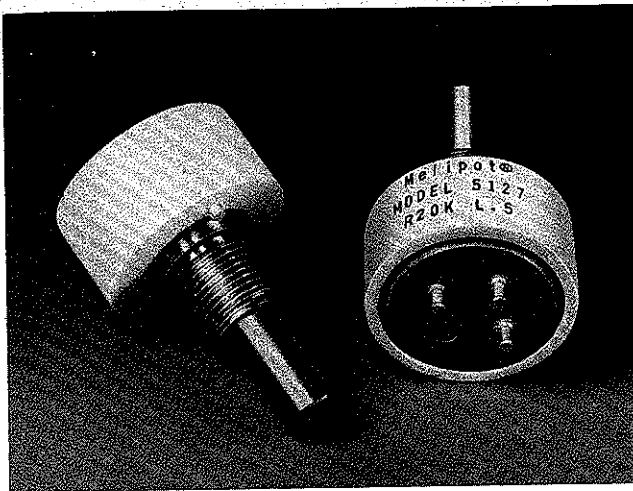


Model 5127



6 Potentiometers

Series 5120 7/8" (22,225mm) Diameter Single-Turn Wirewound



Helipot Series 5120 precision potentiometers provide:

- Low temperature coefficient—20 ppm/°C (p/10⁶/°C) for most resistance values.
- High performance at low cost.
- 1-watt power rating at 70°C.
- 125°C maximum operating temperature.
- Stops optional.

Model:

- 5121 1/4" (6,350 mm) bushing mount with 1/8" (3,175 mm) shaft
- 5126 3/8" (9,525 mm) bushing mount with 1/8" (3,175 mm) shaft
- 5127 3/8" (9,525 mm) bushing mount with 1/4" (6,350 mm) shaft

SPECIFICATIONS

Electrical

| | |
|--------------------------------------|--|
| Standard resistance range, ohms | 100 to 15.0 K continuous model 100 to 14.0 K stop model |
| Standard resistance tolerance | ±5% |
| Min. practical resistance tolerance | ±2% |
| Standard linearity* (independent) | ±0.5% |
| Min. practical independent linearity | ±0.3% |
| Power rating, watts | 1W at 70°C, 0 at +125°C |
| Input voltage, max. | 400V DC |
| Dielectric strength | 750 rms |
| Insulation resistance | 1,000 MΩ min. |
| Actual electrical travel nominal | 340° ±2° continuous model 310° ±2° stop model |
| Electrical continuity travel | 340° nominal continuous model 320° ±3° stop model |
| Noise, max. | 100Ω |
| End voltage, max. | within standard linearity tolerance |

*Linearity is measured between 1.0% and 99% of the input voltage.

Mechanical

| | |
|-----------------------------|---|
| Number of turns | 1 |
| Total mechanical travel | 360° cont. on continuous model 320° ±3° stop model |
| Starting torque, max. | 1.0 oz-in. (0,0071 N*m) |
| Running torque, max. | 1.0 oz-in. (0,0071 N*m) |
| Number of cups, max. | 1 |
| Weight, single cup, approx. | 0.53 oz (15 g) |
| Static stop strength, max. | 40 oz-in. (0,28 N*m) |
| Housing | Plastic |
| Rear Lid | Plastic |
| Bushing | Brass |
| Shaft | Brass, nickel-plated |
| Terminals | Solderable |

Environmental

| | |
|-------------------------------------|--|
| Ambient temperature range | -65°C to +125°C |
| Temperature cycling | 5 cy.; -65°C to +125°C |
| Shock | 100 G's sawtooth |
| Vibration | 10 to 500Hz 10G |
| Humidity | Five 24-hour cycles |
| Temperature storage | 1000 hours at 125°C |
| High and low temperature operations | Mechanical operation -65°C and +125°C |
| Rotational life | 1,000,000 shaft rev. |

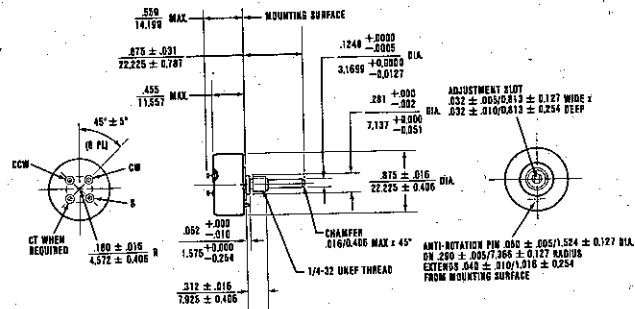
Standard Resistance Values Available without Setup Charge

| Total Resistance (ohms) | Theoretical Resolution Cont. Model | (% nominal) Stop Model | Wire Tempo (p/10 ⁶ /°C) |
|-------------------------|------------------------------------|------------------------|------------------------------------|
| 100 | .3622 | .3622 | ±130 |
| 200 | .3083 | .3416 | ±20 |
| 500 | .2236 | .2540 | ±20 |
| 1,000 | .1876 | .2087 | ±20 |
| 2,000 | .1708 | .1708 | ±20 |
| 5,000 | .1227 | .1366 | ±20 |
| 10,000 | .1030 | .1148 | ±20 |
| 14,000 | — | .1066 | ±20 |
| 15,000 | .0995 | — | ±20 |

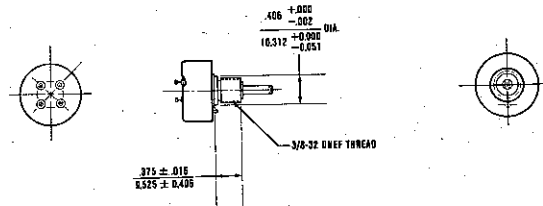
Special Features

- CT - center tap
- LT - linearity tape
- SL - shaft lock
- ST - stop

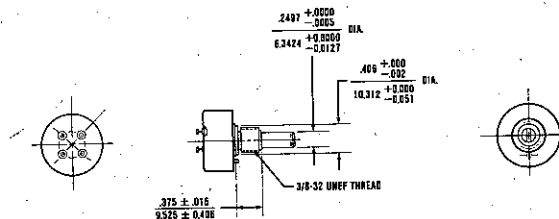
Model 5121



Model 5126



Model 5127



6 Potentiometers