

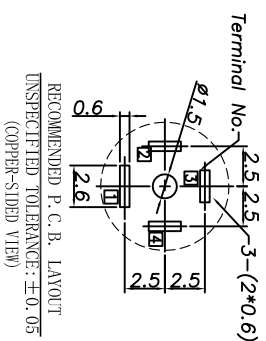
REV.	LTR.	DESCRIPTION	SIGN	DATE
Δ		Add the plating type of terminal	Sungyu	2010.05.26
		Add round nut option	Matt	2012.02.18
Δ		Fixed drawing & P/N	Matt	2013.8.30

Ordering information:

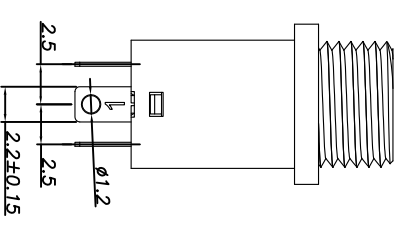
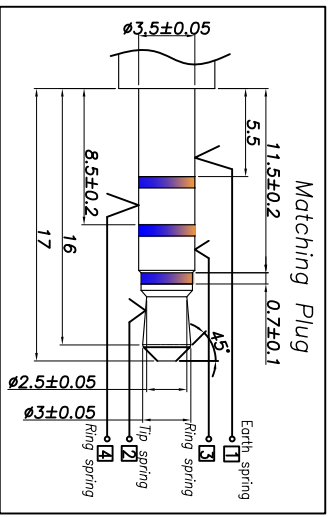
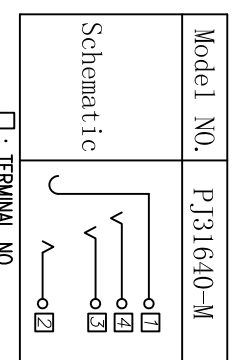
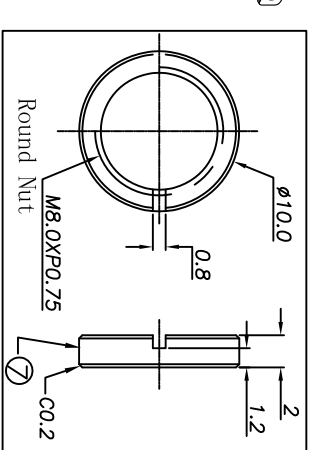
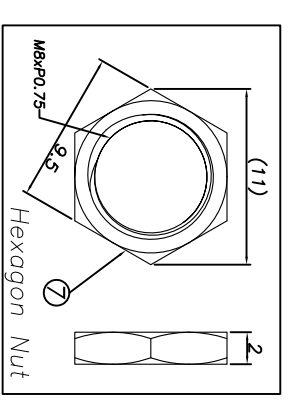
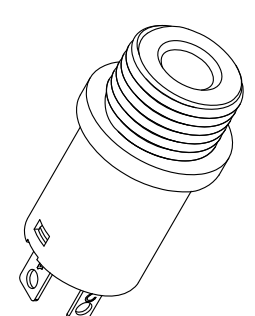
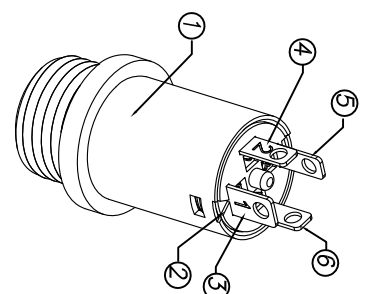
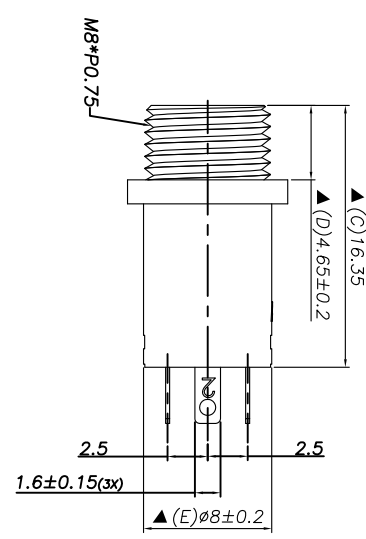
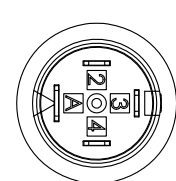
PJ31640-M 66 0A □ □ □ 4
 (1) (2) (3) (4) (5) (6) (7)

- (1) Series No
- (2) Schematic option: M
- (3) Material of housing: 66=PA66
- (4) Housing color: 0A=Black (Standard)
- (5) Terminal plating G=Gold (Au)
- (6) S: Silver (Ag) (Standard)
- (7) Special option

00: With hexagon nut, not assembled
 OD: Without nut
 OR: With round nut, not assembled
 (7) : Packing mode:
 4: Bag packing



RECOMMENDED P. C. B. LAYOUT
 UNINSPECTED TOLERANCE: ±0.05
 (COPPER-SIDED VIEW)



- Specification:
- Rating : DC 30V 0.5A;
 - Contact resistance: $\leq 30m\Omega$;
After test: $\leq 50m\Omega$
 - Insulation resistance: $\geq 100M\Omega$ (500VDC) ;
After test: $\geq 50M\Omega$
 - Withstand voltage: 500VAC ;
 - Insertion and extraction force: 3N~30N;
 - Life test: 5000cycles min;
 - Operation temperature range: $-20^{\circ}C \sim 70^{\circ}C$
 - Preservative temperature range: $-40^{\circ}C \sim 85^{\circ}C$

Sign "▲" is importance dimension.

NO.	DESCRIPTION	QTY	MATERIAL	PART NO.	REMARK
⑦	Nut	1	Brass	NTM08075H0-BSND	Nickel plating
⑥	Ring spring	4	Phosphor bronze to.25	PJ31640-04	Silver/Gold plating
⑤	Ring spring	1	Phosphor bronze to.25	PJ31640-03	Silver/Gold plating
④	Tip spring	1	Phosphor bronze to.25	PJ31640-02	Silver/Gold plating
③	Earth spring	1	Phosphor bronze to.25	PJ31640-01	Silver/Gold plating
②	Cover	1	PA66	PJ31640-S2	Black
①	Housing	1	PA66	PJ31640-S1	Black

DESIGNER BY:	Matt 2012.02.18
CHECK BY:	Mei 2012.02.18
APPROVED BY:	Ocean 2012.02.18

TOP WILLING CO., LTD.