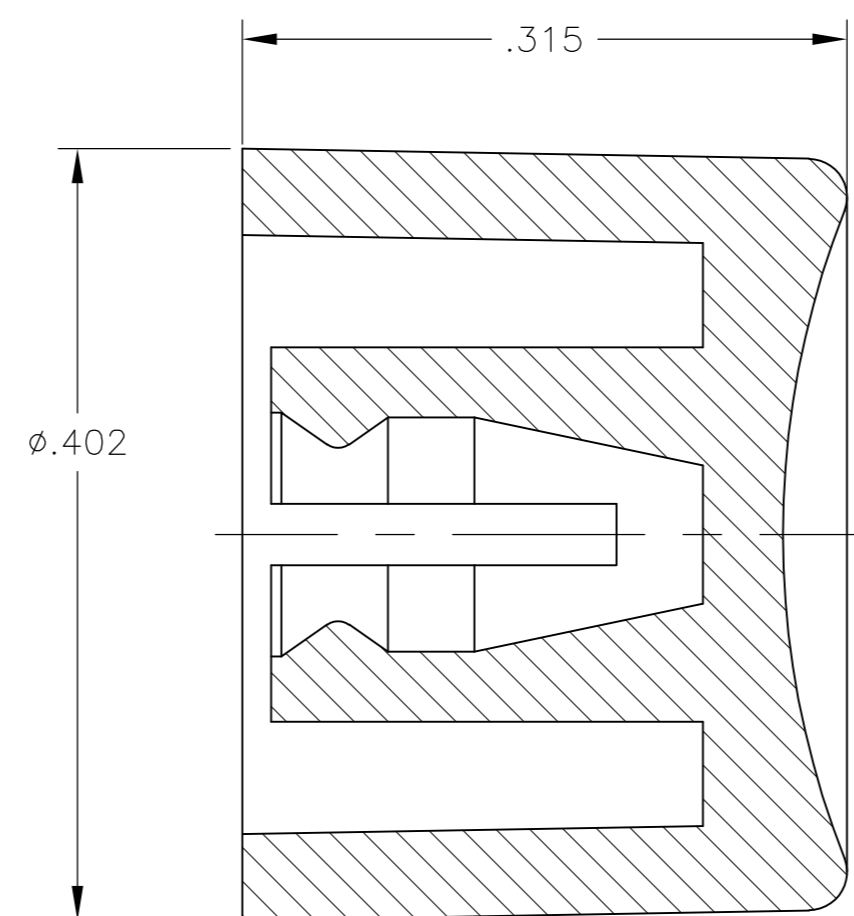
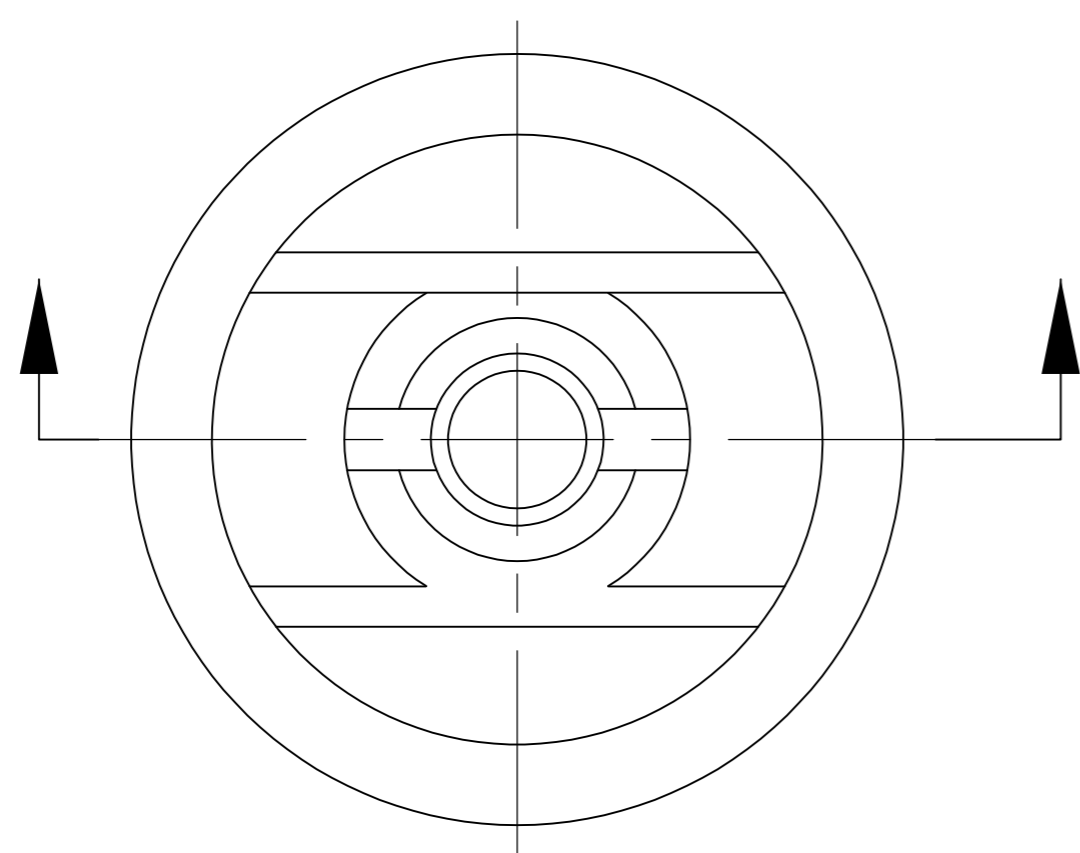


THIS DRAWING IS UNPUBLISHED. RELEASED FOR PUBLICATION  
 © COPYRIGHT - By - ALL RIGHTS RESERVED.

| LOC | DIST | REVISIONS |     |                           |         |     |      |
|-----|------|-----------|-----|---------------------------|---------|-----|------|
|     |      | P         | LTR | DESCRIPTION               | DATE    | DWN | APVD |
| AD  | 00   |           | A1  | REVISED PER ECO-11-004820 | 11MAR11 | RK  | HMR  |

1. MATERIAL SHALL COMPLY WITH EU DIRECTIVE 2002/95/EC OF 20JAN2003 (ROHS)
2. CAP FOR USE WITH GREEN SERIES PUSHBUTTON SWITCHES AS SHOWN ON DRAWINGS 1805040 AND 1805041.



|        |                  |             |
|--------|------------------|-------------|
| WHITE  | C22904           | 1825068-7   |
| BLUE   | C22604           | 1825068-6   |
| GREEN  | C22504           | 1825068-5   |
| YELLOW | C22404           | 1825068-4   |
| ORANGE | C22304           | 1825068-3   |
| RED    | C22204           | 1825068-2   |
| BLACK  | C22004           | 1825068-1   |
| COLOR  | ALCO PART NUMBER | PART NUMBER |

|   |  |              |          |         |                  |                                    |    |           |       |            |           |               |       |        |     |    |
|---|--|--------------|----------|---------|------------------|------------------------------------|----|-----------|-------|------------|-----------|---------------|-------|--------|-----|----|
| THIS DRAWING IS A CONTROLLED DOCUMENT.  |  | DWN          | M.BINNER | 30NOV04 |                  | TE Connectivity                    |    |           |       |            |           |               |       |        |     |    |
| DIMENSIONS: INCHES  |  | CHK          | M.ZITTO  | 30NOV04 |                  | NAME                               |    |           |       |            |           |               |       |        |     |    |
|   |  | APVD         | M.ZITTO  | 30NOV04 |                  | CAP, GREEN SERIES, PUSHBUTTON, C22 |    |           |       |            |           |               |       |        |     |    |
| TOLERANCES UNLESS OTHERWISE SPECIFIED:<br>0 PLC ± -<br>1 PLC ± -<br>2 PLC ± -<br>3 PLC ± .003<br>4 PLC ± -<br>ANGLES ± 1° |  | PRODUCT SPEC | -        |         |                  | SIZE                               | A2 | CAGE CODE | 00779 | DRAWING NO | C=1825068 | RESTRICTED TO | -     |        |     |    |
| MATERIAL: POLYAMIDE   |  | FINISH       | -        |         | APPLICATION SPEC | -                                  |    | WEIGHT    | -     |            | SCALE     | 10:1          | SHEET | 1 of 1 | REV | A1 |
| CUSTOMER DRAWING  |  |              |          |         |                  |                                    |    |           |       |            |           |               |       |        |     |    |