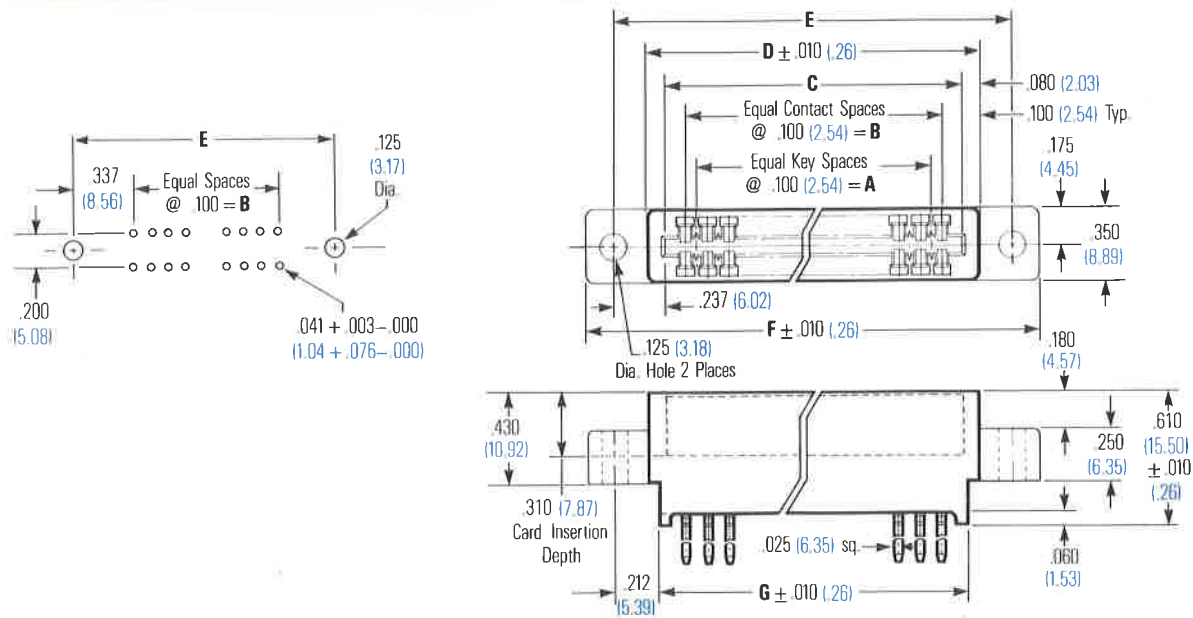


Edge Connector High Reliability

.100" (2.54mm) Density
Wire Wrap/Solder Tab/
Dip Solder

CINCH



Dimensions

No. of Pos./Cont.	A		B		C		D		E*		F		G	
	in	mm	in	mm	in	mm	in	mm	in	mm	in	mm	in	mm
15/30	1.300	33.02	1.400	35.56	1.600	40.64	1.760	44.70	2.075	52.71	2.335	59.31	1.650	41.91
22/44	2.000	50.80	2.100	53.34	2.300	58.42	2.460	62.48	2.775	70.49	3.035	77.09	2.350	59.69
36/72	3.400	86.36	3.500	88.90	3.700	93.98	3.860	98.04	4.175	106.05	4.435	112.65	3.750	95.25
40/80	3.800	96.50	3.900	99.06	4.100	104.14	4.260	108.20	4.575	116.21	4.835	122.81	4.150	105.41
43/86	4.100	104.14	4.200	106.68	4.400	111.76	4.560	115.82	4.875	123.83	5.135	130.43	4.450	112.81
50/100	4.800	121.92	4.900	124.46	5.100	129.54	5.260	133.60	5.575	141.61	5.835	148.21	5.150	130.81

* Does not apply to dip solder terminal insulator

Ordering Information

Series	No. of Pos./Cont.	Wire Wrap Part No.	Solder Tab Part No.	Dip Solder** Part No.
50-XXC-XX Series	15/30	50-30C-30	50-30C-10	50-30C-20
	22/44	50-44C-30	50-44C-10	50-44C-20
	36/72	50-72C-30	50-72C-10	50-72C-20
	40/80	50-80C-30	50-80C-10	50-80C-20
	43/86	50-86C-30	50-86C-10	50-86C-20
Bottom View	50/100	50-100C-30	50-100C-10	50-100C-20
50-XXC-XX-1 Series	15/30	50-30C-30-1	50-30C-10-1	50-30C-20-1
	22/44	50-44C-30-1	50-44C-10-1	50-44C-20-1
	36/72	50-72C-30-1	50-72C-10-1	50-72C-20-1
	40/80	50-80C-30-1	50-80C-10-1	50-80C-20-1
	43/86	50-86C-30-1	50-86C-10-1	50-86C-20-1
Bottom View	50/100	50-100C-30-1	50-100C-10-1	50-100C-20-1

**Without mounting ears

