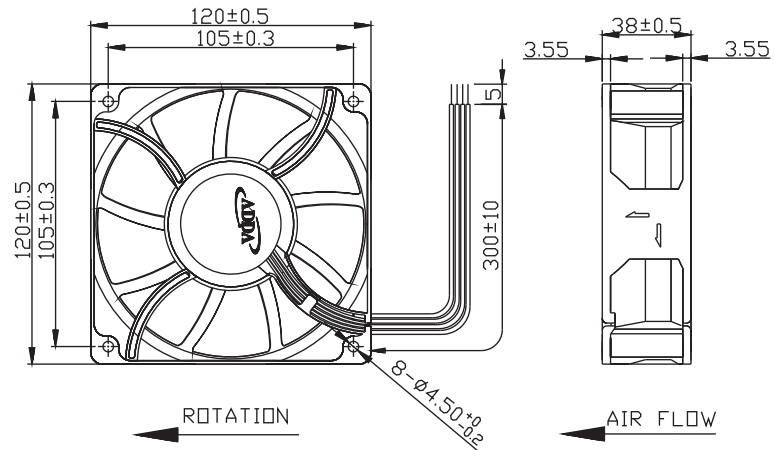




AD12038GP SERIES



External Dimensions



Frame: Plastic(UL:94V-0), Aluminum
 Impeller: Plastic(UL:94V-0)
 Lead wire: UL1007AWG24

Ps. Two different frame materials (Plastic and Aluminum) can be used for AD12038GP, please note which kind of material you're interested and inform your sales if needed.

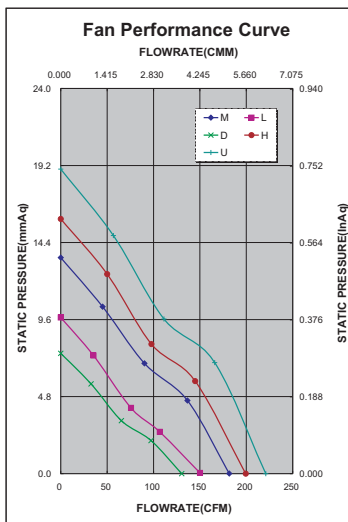
Specifications(Nominal)

*Noise is measured at the distance of one (1) meter from the axis of intake.

Bearing type: ○=Ball ※=Sleeve ●=Hypro bearing

Frame size (mm)	Model No.	Bearing System Type	Rated Voltage (VDC)	Current (A)	Power (W)	Rated Speed (rpm)	Maximum AirFlow (CMM)	Maximum AirFlow (CFM)	Maximum Pressure (InAq)	Maximum Pressure (mmAq)	*Noise Level (dB/A)	Weight (g)
120x120x38	AD1212DB-F9BGP(F)	○	12	0.49	5.88	2800	3.694	130.544	0.295	7.493	48.5	335.0 /Plastic 390.0 /Aluminum
	AD1212LB-F9BGP(FCU)	○	12	0.70	8.40	3200	4.248	150.120	0.383	9.728	52.5	
	AD1212MB-F9BGP(FCU)	◎	12	0.96	11.52	3800	5.139	181.601	0.530	13.462	57.5	
	AD1212HB-F9BGP(FM)	○	12	1.62	19.44	4300	5.652	199.730	0.625	15.875	61.0	
	AD1224DB-F9BGP(F)	○	24	0.23	5.52	2800	3.694	130.544	0.295	7.493	48.5	
	AD1224LB-F9BGP(FCU)	○	24	0.36	8.64	3200	4.248	150.120	0.383	9.728	52.5	
	AD1224MB-F9BGP(FCU)	○	24	0.58	13.92	3800	5.139	181.601	0.530	13.462	57.5	
	AD1224HB-F9BGP(FM)	○	24	0.80	19.20	4300	5.652	199.730	0.625	15.875	61.0	
	AD1224UB-F9BGP(FM)	○	24	1.15	27.60	4700	6.265	221.402	0.747	18.973	63.0	
	AD1248DB-F9BGP(F)	○	48	0.16	7.68	2800	3.694	130.544	0.295	7.493	48.5	
	AD1248LB-F9BGP(FCU)	○	48	0.18	8.64	3200	4.248	150.120	0.383	9.728	52.5	
	AD1248MB-F9BGP(FCU)	○	48	0.28	13.44	3800	5.139	181.601	0.530	13.462	57.5	
	AD1248HB-F9BGP(FM)	○	48	0.44	21.12	4300	5.652	199.730	0.625	15.875	61.0	
	AD1248UB-F9BGP(FM)	○	48	0.58	27.84	4700	6.265	221.402	0.747	18.973	63.0	

Specifications subject to change without notice.



*Motor protective circuit and third lead wire functions

0	1	2	3	4	6	7	8	9	A	B
	✓	✓	✓					✓		✓

*Safety approvals

✓	✓		✓	✓