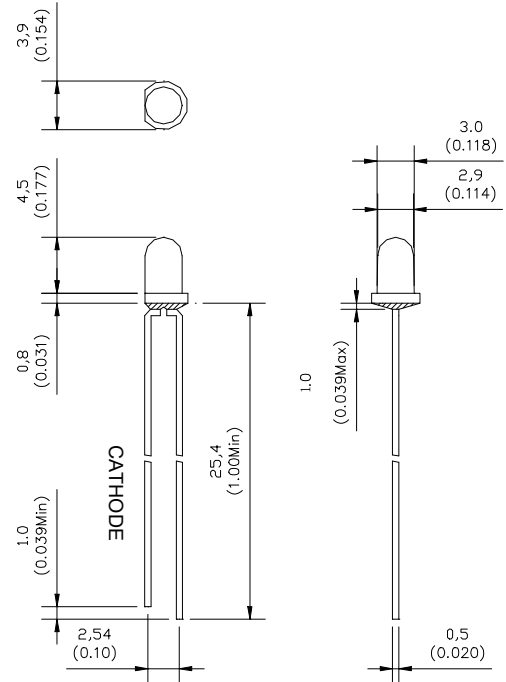




MCD-3014UEC-TL (Φ 3mm ROUND TYPE) Standard Brightness

ABSOLUTE MAXIMUM RATING:(Ta=25°C)

Parameter			Unit
DC Forward Current	25		mA
Reverse Voltage	5		V
Reverse Current (Vr=5V)	10		μA
Peak Forward Current ,tw ,=1 msec Duty ,=1/20	100		mA
Operation Temperature	-40	+80	°C
Storage Temperature	-40	+100	°C
Solder Dip (5 seconds,1.6mm from body) Temperature	260	±5	°C



Features:

- High speed response.
- High reliability and long life.
- Low power consumption.
- Available in red,blue,white ,green, yellow colors.
- Suitable for pulse operation.
- This product doesn't contain restriction Substance, comply ROHS standard.

Descriptions:

The LED lamps are available with different colors,intensities,epoxy colors,etc.
The series specially designed for applications requiring higher brightness.
Superior performance in outdoor environment.

Part Number	EMITTED COLOR		Lens Color	Peak Wavelength (nm)	Vf (v) Typ .	IV (If=20mA) mcd		View Angle 2 θ 1/2
						Min.	Typ .	
MCD-3014UEC-TL	AlGaInP	High Super Red	Water Clear	620	2.1	2000	3000	25°