

5

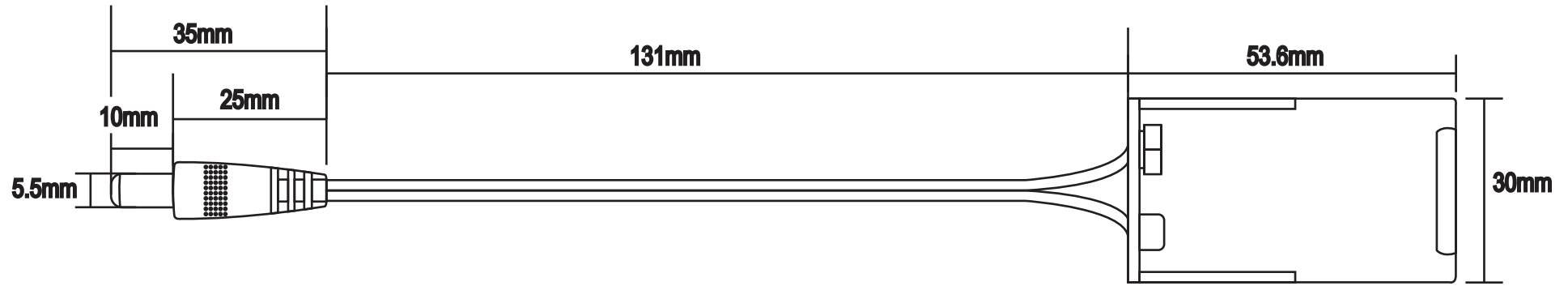
4

3

2

1

Date	Rev.	Description



C

B

A

DCC. NO.
A4 DRAWING NO.

MATERIAL	GOLDSUN ELECTRONICS CO., LTD.		
JAMECO NO.	2207048	GOLDSUN NO.	1X9V-2.1 CS
DESCRIPTION	9V Battery Box with 2.1mm Barrel Plug		Rev. 1
DRAWN: Colin Hung	UNIT: mm	SCALE:	SHEET 1 OF 1
VERIFY PEOPLE: Annie	CAS No:		ERN No:

5

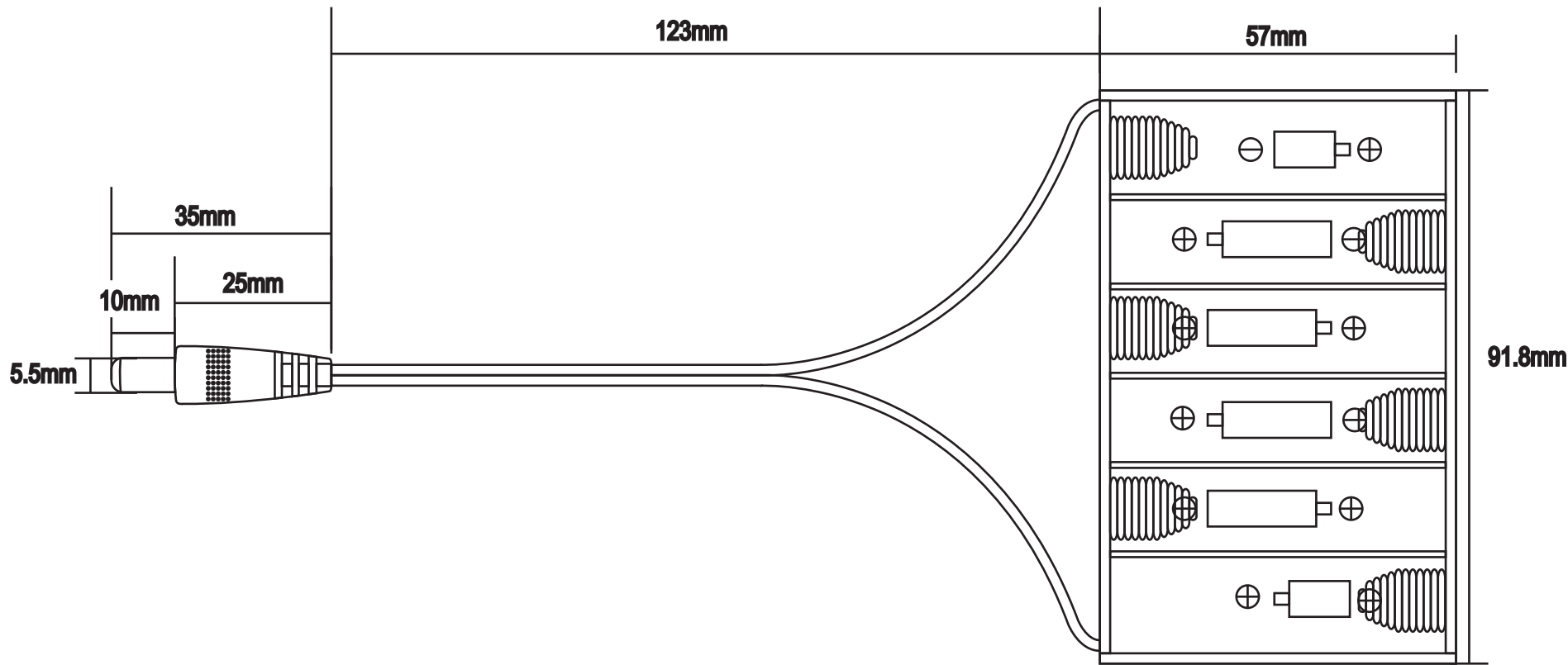
4

3

2

1

Date	Rev.	Description



DCC. NO.
A4 DRAWING NO.

MATERIAL		GOLDSUN ELECTRONICS CO., LTD.	
		JAMECO NO. 2207021	GOLDSUN NO. 6XAA-2.1
DRAWN: Colin Hung		DESCRIPTION 6xAA Battery Holder with 2.1mm Barrel Plug	
VERIFY PEOPLE: Annie		UNIT: mm	SCALE: SHEET 1 OF 1
		CAS No: ERN No:	Rev. 1

C

B

A

5

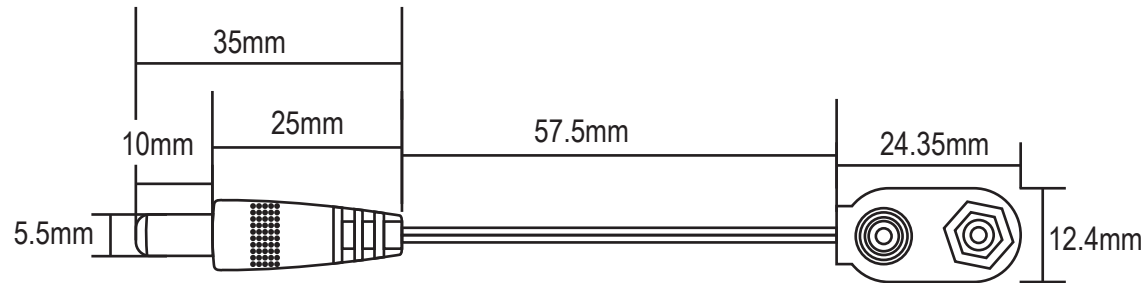
4

3

2

1

Date	Rev.	Description



DCC. NO.
A4 DRAWING NO.

MATERIAL	GOLDSUN ELECTRONICS CO., LTD.		
JAMECO NO.	2207056	GOLDSUN NO.	1X9V-2.1 SNAP
DESCRIPTION	9V Battery Snap with 2.1mm Barrel Plug		Rev. 1
DRAWN: Colin Hung	UNIT: mm	SCALE:	SHEET 1 OF 1
VERIFY PEOPLE: Annie	CAS No:		ERN No:

C

B

A

5

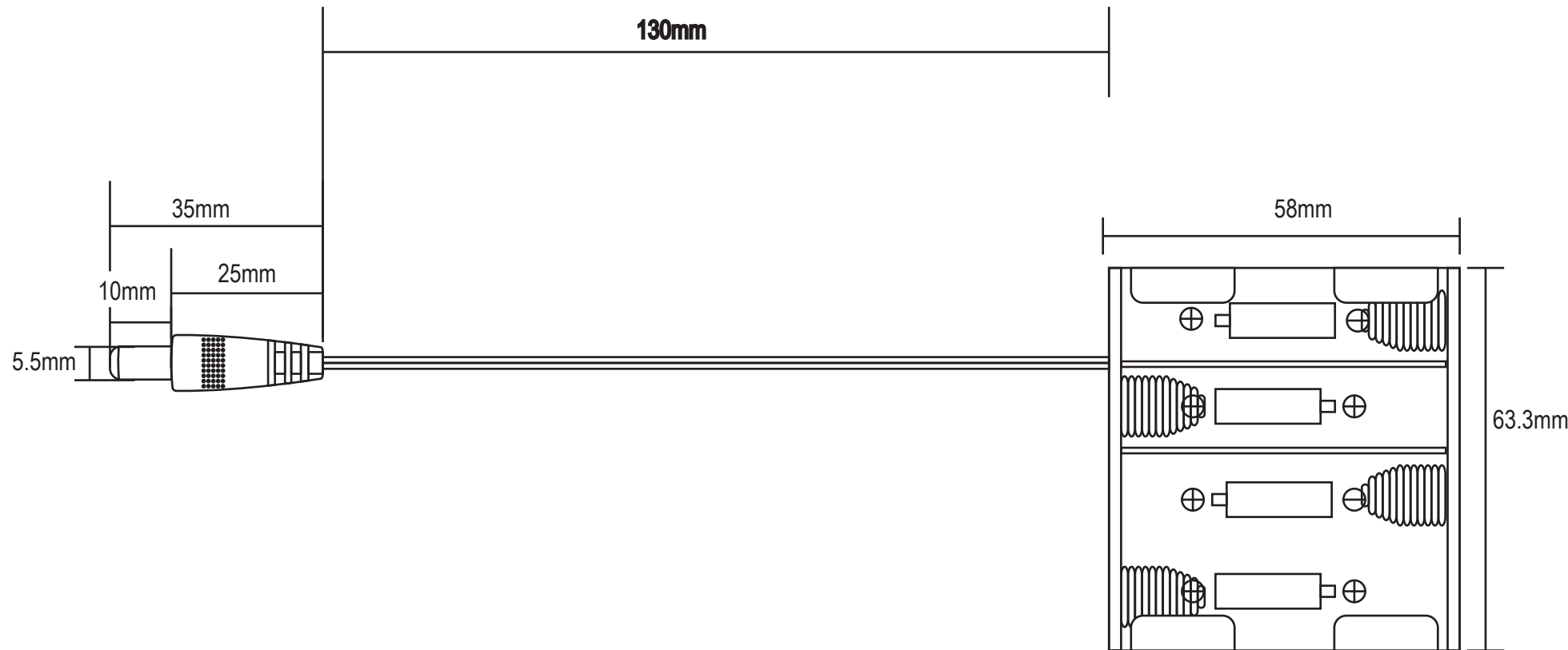
4

3

2

1

Date	Rev.	Description



C
B
A

DCC. NO.
A4 DRAWING NO.

MATERIAL		GOLDSUN ELECTRONICS CO., LTD.			
		JAMECO NO. 2207013		GOLDSUN NO. 4XAA-2.1	
DRAWN: Colin Hung		DESCRIPTION 4xAA Battery Holder with 2.1mm Barrel Plug			Rev. 1
VERIFY PEOPLE: Annie		UNIT: mm	SCALE:	SHEET 1 OF 1	CAS No: ERN No:

5

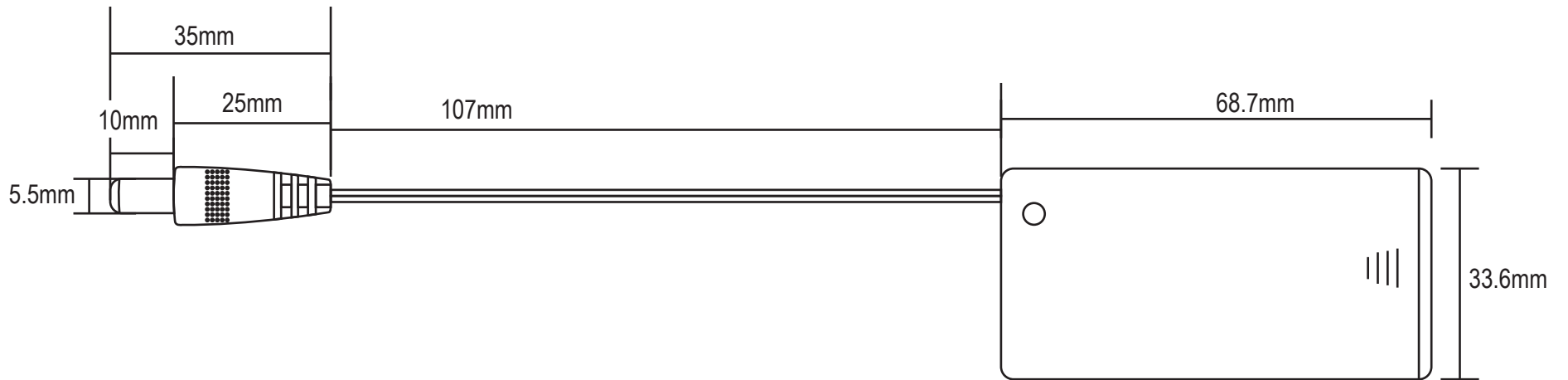
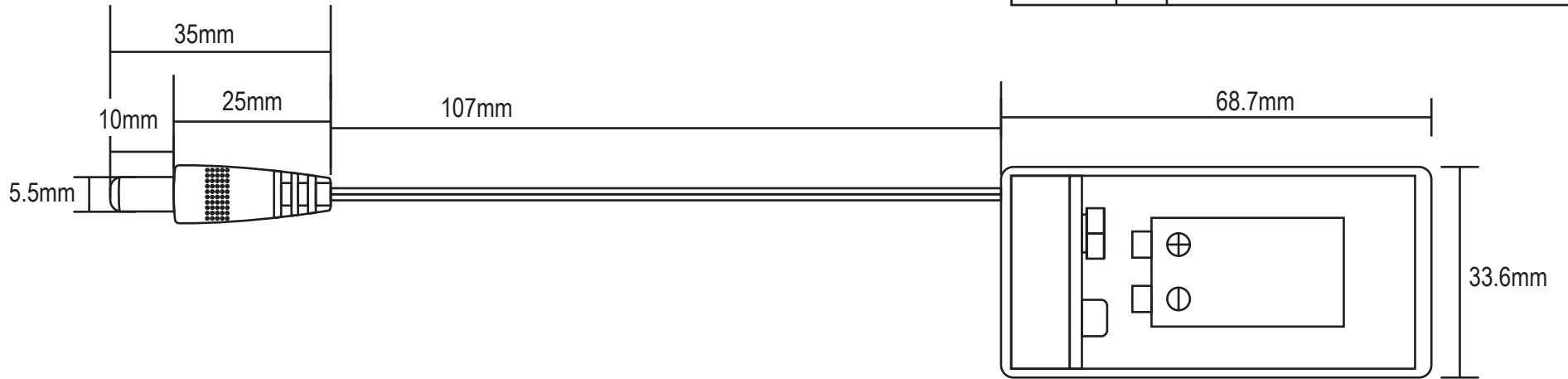
4

3

2

1

Date	Rev.	Description



C

B

A

DCC. NO.
A4 DRAWING NO.

MATERIAL		GOLDSUN ELECTRONICS CO., LTD.	
		JAMECO NO. 2207048	GOLDSUN NO. 1X9V-2.1 CS
DRAWN: Colin Hung		DESCRIPTION 9V Battery Box with 2.1mm Barrel Plug	
VERIFY PEOPLE: Annie		UNIT: mm	SCALE: SHEET 1 OF 1
		CAS No: ERN No:	Rev. 1