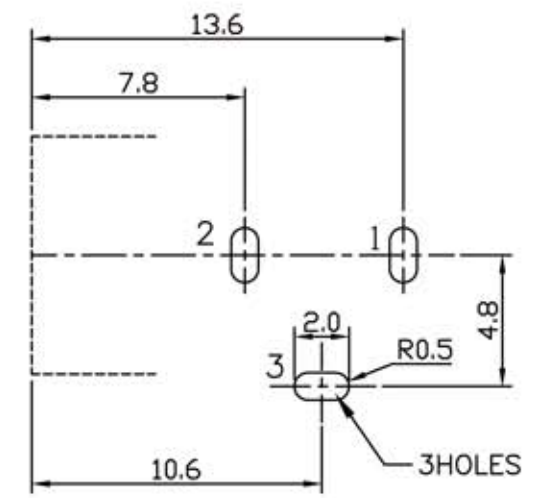
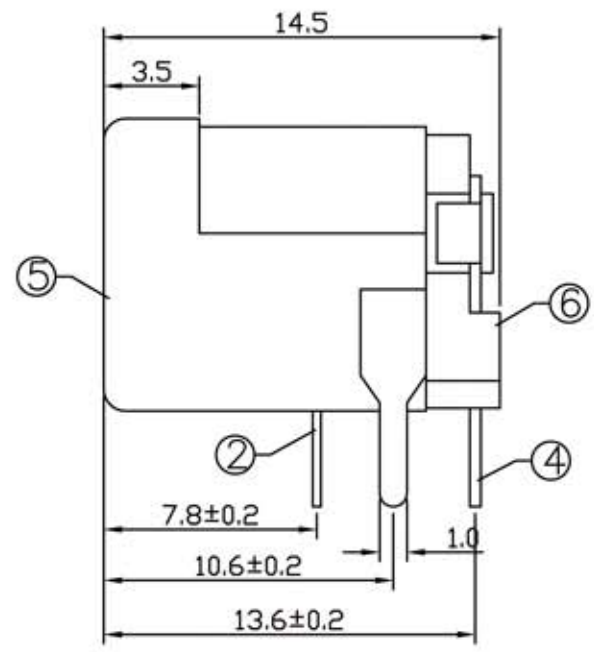
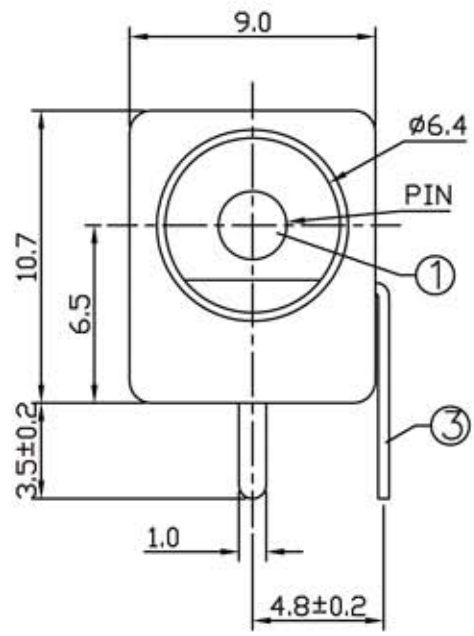
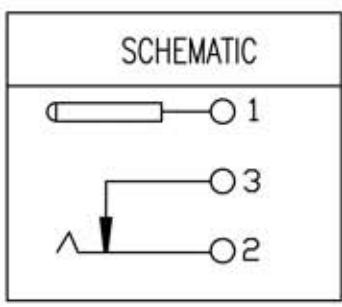


* REVISIONS				
LTR	DESCRIPTION	DATE	REVISED	APPROVED



PIN	WTJ-020-37A	∅2.0
-----	-------------	------

T:1.6 Dimensions of PC board holes
Tolerance : ±0.1(Printed-top view)



LEAD FREE

6	COVER	1	PBT 4815	UL-94V0(BLACK)
5	HOUSING	1	PBT 4815	UL-94V0(BLACK)
4	FLAT PIECE	1	C2680	MB:Cu Sn PLATED
3	CURVE PIECE	1	C2680	MB:Cu Sn PLATED
2	SPRING	1	C5191	MB:Cu Sn PLATED
1	PIN	1	C2680	MB:Cu Ni PLATED

LTR	PART NAME	QTY	MATERIAL	REMARK
DWN	ANJOU	DATE	2006.03.08	3RD ANGLE PROJECTION
CHKD	GAO WEI	DATE	2006.03.08	
APVD	JACKY	DATE	2006.03.08	
UNIT: mm				NAME DC POWER JACK
				CAT. NO. WTJ-020-37A
				DWN.NO. 01-020-37

CIC COMPONENTS IND. CO., LTD.

001

UNLESS OTHERWISE SPECIFIED, TOLERANCE ON DECIMAL: ±0.3