

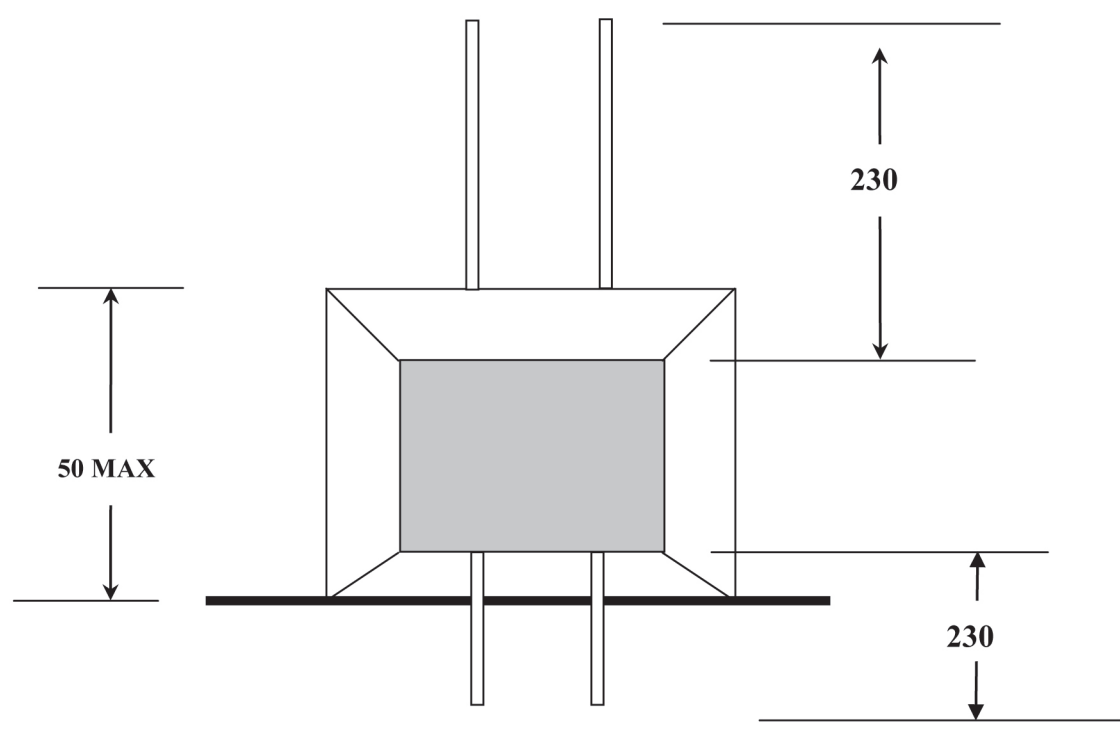
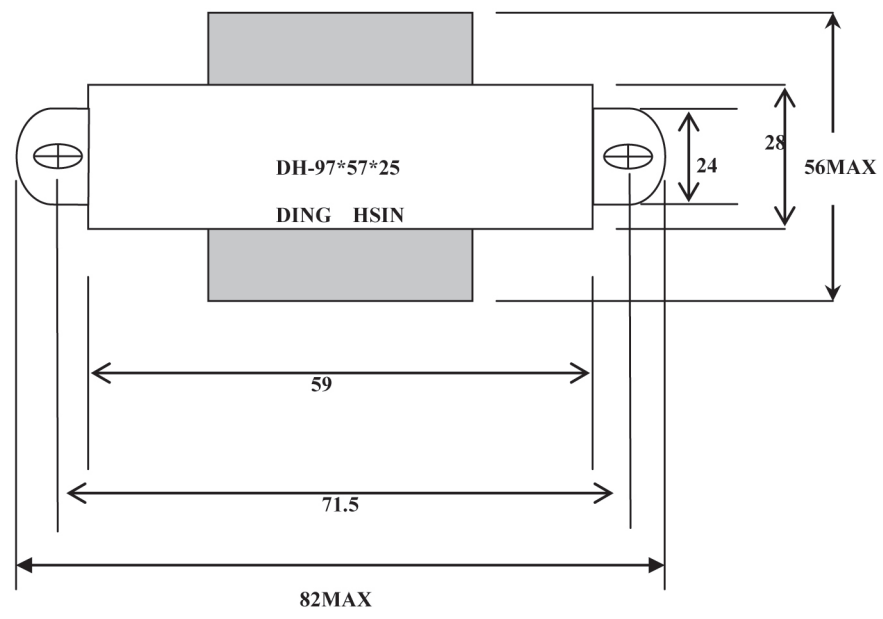
MATERIAL LIST :

NO	Material	
1	BOBBIN	NYLON
2	SILICON	H 50
3	WIRE	2UEW 130°C
4	TAPE	
5	PAPER	0.25 mm
6	PVC	1015*20AGW
7	PVC	1015*20AGW
8	L	
9		

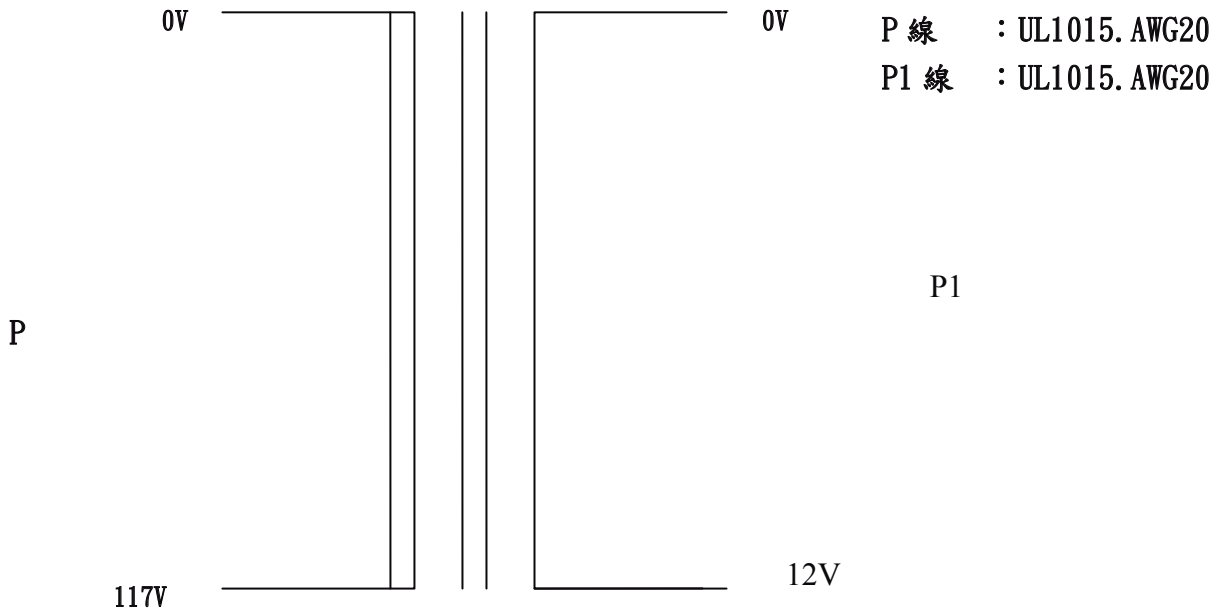
**GOLDSUN ELECTRONICS CO., LTD.**

JAMECO NO. 221400		GOLDSUN NO. P-8657-ROHS STYLE A	
Description POWER TRANSFORMER I/P: 117VAC O/P: 12VAC 1.5A WITH LEADS			Rev. 1
UNIT: mm	SCALE:	SHEET 1 OF 1	CAS No: ERN No:

一、Size :



<b>GOLDSUN ELECTRONICS CO., LTD.</b>			
JAMECO NO. 221400		GOLDSUN NO. P-8657-ROHS STYLE A	
Description POWER TRANSFORMER I/P: 117VAC O/P: 12VAC 1.5A WITH LEADS			Rev. 1
UNIT: mm	SCALE:	SHEET 1 OF 1	CAS No: ERN No:



- |   |   |
|---|---|
| <u>1. TYPE: Single Phase Power Transformer</u>        | <u>10. Temperature Below 70deg</u>          |
| <u>2. Output capacity: 18 VA</u>                      | <u>11. Voltage mobility rate: Below 10%</u> |
| <u>3. Primary Votage: P-117V</u>                      | <u>12. Voltage deviation: within ±5%</u>    |
| <u>4. Secondary Voltage P1 : 12V</u>                  | <u>13. RoHS</u>                             |
| <u>5. Secondary current P1 : 1.5A</u>                 | <u>15. Voltage Tolerance: 10%</u>           |
| <u>6. Frequency: 50/60Hz</u>                          |   |
| <u>7. Time frame: continuous</u>                      |   |
| <u>8. Insulation resistance: DC500V 100MΩ 以上</u>      |   |
| <u>9. Insulation endurance: AC1500V 1min 50Hz P-S</u> |   |

<b>GOLDSUN ELECTRONICS CO., LTD.</b>			
JAMECO NO. 221400		GOLDSUN NO. P-8657-ROHS STYLE A	
Description POWER TRANSFORMER I/P: 117VAC O/P: 12VAC 1.5A WITH LEADS			Rev. 1
UNIT: mm	SCALE:	SHEET 1 OF 1	CAS No: ERN No: