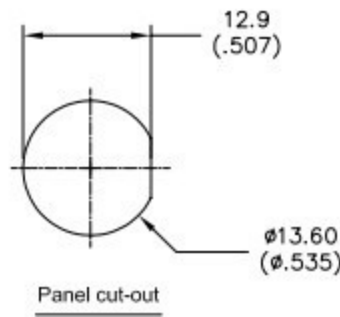


Model No.	POS.1	POS.2
PAS6	OFF	MOM
Term. Comm.	OPEN	SHORT
SCHEMATIC		

SWITCH FUNCTION

PART NO.	PART NAME	Q'TY
1 MNU- PA03	M12 x 0.75SI NUTS	1
2 MNU-1M09	LOCKING WASHER	1
3 MSU- PA01	RUBBER WASHER	1

FILE NAME:HARDWARE-0011



SPECIFICATIONS

Max. current/voltage rating with resistive load:

400mA 32VAC - 100 mA 50VDC - 125 mA 125VAC.

INITIAL CONTACT RESISTANCE: 50 m Ω max.

INSULATION RESISTANCE: 1 G Ω min. at 500VDC.

DIELECTRIC STRENGTH: 1,000 VAC rms.

ELECTRICAL LIFE AT FULL LOAD: 500,000 cycles.

PANEL THICKNESS:

B1 Series: 0.8 mm (.031) min. - 1.8 mm (.071) max.

B2 Series: 1.5 mm (.059) min. - 4 mm (.157) max.

TOTAL TRAVEL: 1.5 mm (.059).

OPERATING FORCE: 2N~5N.

CONTACT BOUNCE: 10 ms.

MECHANICAL LIFE: 1,000,000 cycles.

(A) TORQUE: 0.5 Nm max. applied to nut.

SOLDERING: 350°C max. for 5 seconds.

MATERIALS

CASE: Diallyl phthalate (DAP)(UL94v-0).

CAP: Polyamide 6/6.

BUSHING: Polyamide 6/6.

TERMINAL/CONTACTS: Gold over silver plated.

RoHS: 2002/95/EC

PAS6B2M1CESX-1

X=CAP COLOR

1	White
2	Black
3	Red
4	Orange
5	Yellow
6	Green
7	Blue