

RS-385PH



OUTPUT:0.9W-40W (APPROX)

WEIGHT: 82g (APPROX)

Typical Applications : Automotive Appliances

Precision and Office Equipment > Inkjet Printer / Laser Printer / Multifunction Printer

*By clicking the "MODEL", you can display the Performance Chart Simulation.

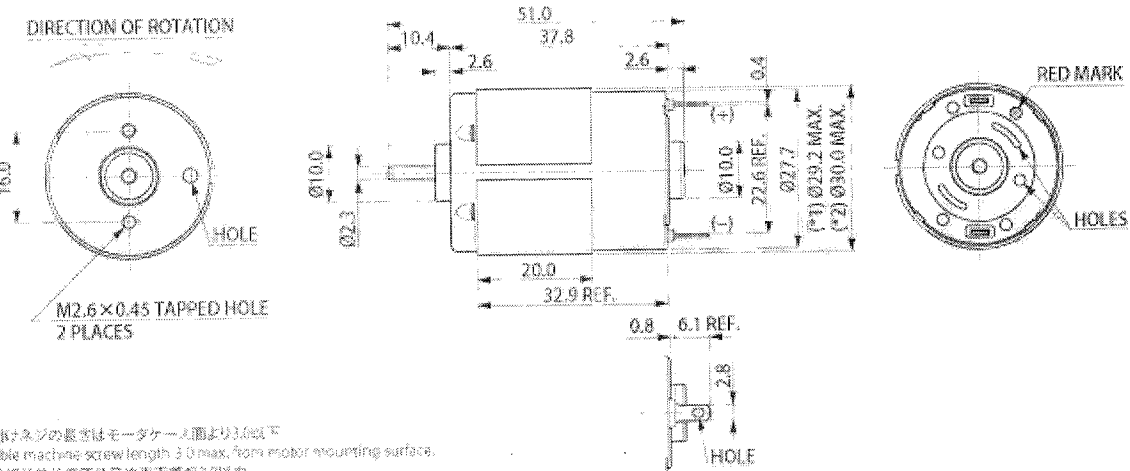
MODEL		VOLTAGE		NO LOAD		AT MAXIMUM EFFICIENCY				STALL			
		OPERATING RANGE	NOMINAL V	SPEED r/min	CURRENT A	SPEED r/min	CURRENT A	TORQUE mN·m g·cm	OUTPUT W	TORQUE mN·m g·cm	CURRENT A		
RS-385PH	16140(*1)(!)	12 - 30	24	8700	0.070	7420	0.41	8.30	84.6	6.44	56.4	575	2.35
	17120(*2)(!)	8 - 35	23.5	8600	0.076	7430	0.48	10.1	103	7.82	73.8	752	3.05

(!) This operating voltage indicates the average or r.m.s. in case of pulse-width modulation (PWM) power supply. Besides, as withstand voltage, 1800V for one second can not be guaranteed.

(*1) Thickness of flux yoke: 0.6t

(*2) Thickness of flux yoke: 1.0t

Motor with an encoder is also available. [RS-385PW](#)

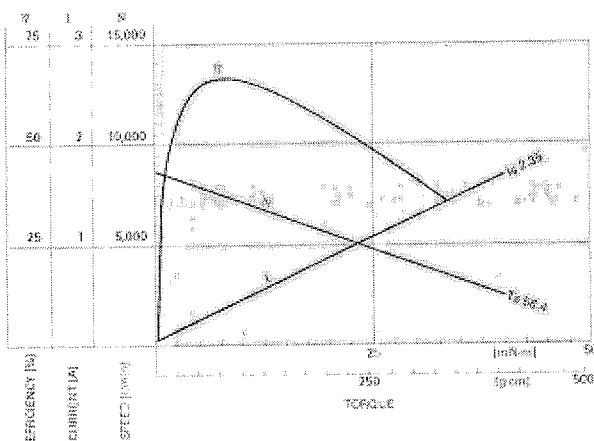


取付ネジの長さ はモーター上面より3.0以下
Usable machine screw length 3.0 max. from motor mounting surface.
取付螺丝的长度须从马达表面算起3.0以内

UNIT: MILLIMETERS

RS-385PH-16140

24.0V



RS-385PH-17120

23.5V

