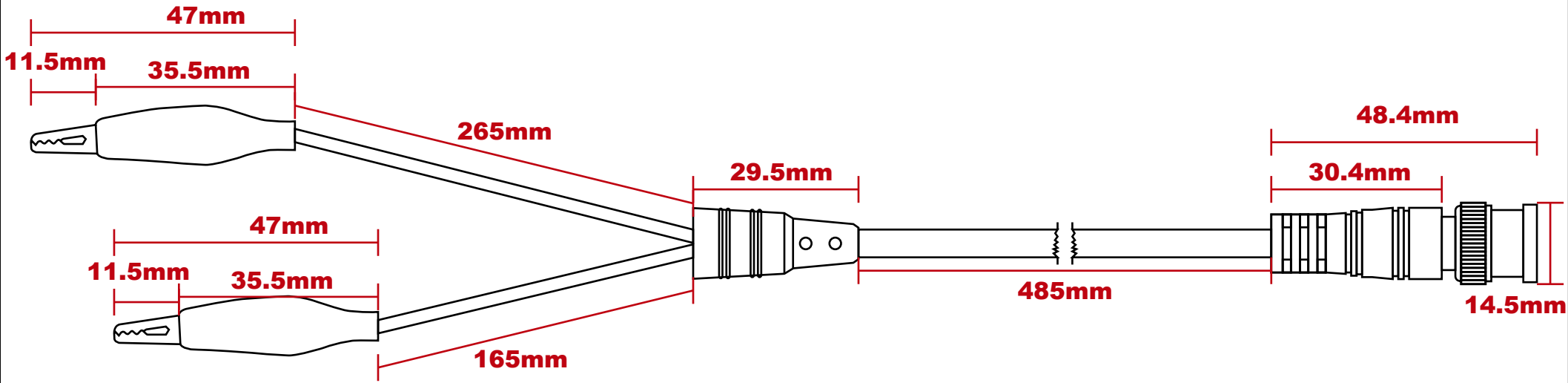


Date	Rev.	Description



DCC. NO.
A4 DRAWING NO.

MATERIAL		GOLDSUN ELECTRONICS CO., LTD.	
		JAMECO NO. 11384	GOLDSUN NO.
DRAWN: Colin Hung		Description BNC MALE TEST CABLE TWO ALLIGATOR CLIPS-RED 5.5"	
VERIFY PEOPLE: Annie		Rev.	1
UNIT: mm	SCALE:	SHEET 1 OF 1	CAS No: ERN No: