

Gold Bonded

1N34A

Germanium Diodes

*Optimized for Radio Frequency Response*

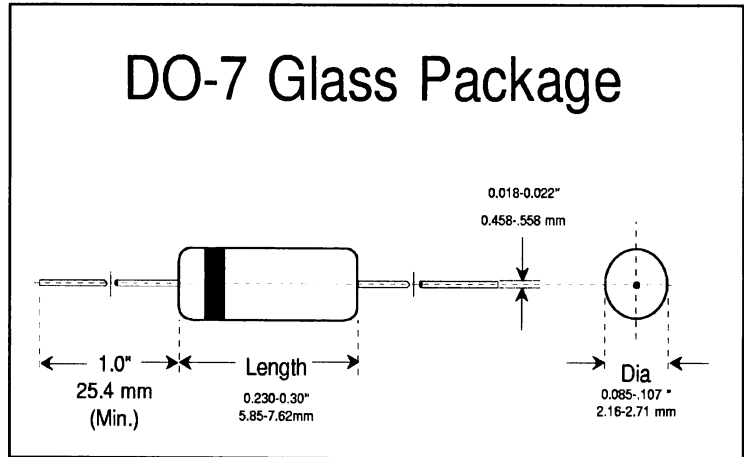
Can be used in many AM, FM and TV-IF applications, replacing point contact devices.

### Applications

- AM/FM detectors
- Ratio detectors
- FM discriminators
- TV audio detectors
- RF input probes
- TV video detectors

### Features

- Lower leakage current
- Flat junction capacitance
- High mechanical strength



#### Absolute Maximum Ratings at $T_{amb} = 25\text{ }^\circ\text{C}$

Parameter	Symbols	Min.	Max.	Units
Peak Inverse Voltage (Repetitive), Measured @ $I_R = 1\text{ mA}$	PIV	**	65	Volts
Peak Forward Surge Current Non-Repetitive, $t = 1\text{ Second}$	$I_{FSM}$		0.5	Amps
Peak Forward Surge Current Repetitive	$I_{FSR}$		200	mA
Average Rectified Forward Current	$I_O$		50	mA
Operating and Storage Temperatures	$T_{J \& STG}$	-55	+75	$^\circ\text{C}$

#### Electrical Characteristics at $T_{amb} = 25\text{ }^\circ\text{C}$

Parameter	Test Conditions	Symbols	Min.	Max.	Units
Forward Voltage Drop	$I_F = 5.0\text{ mA}$	$V_F$		1.0	Volts
Reverse Leakage	$V_R = 10\text{ Volts}$	$I_R$		30	$\mu\text{A}$
	$V_R = 50\text{ Volts}$			500	$\mu\text{A}$
Breakdown Voltage	$I_r = 1.0\text{ mA}$	PIV	65		Volts



SOLID STATE INC.

46 FARRAND STREET  
BLOOMFIELD, NEW JERSEY 07003

www.solidstateinc.com