



SPECIFICATIONS SHEET

PRODUCT TYPE : MAGNETIC BUZZER

PRODUCT SERIES : TDB

DESCRIPTION : MT BUZZER SINGLE 12VDC PIN NORYL SP RoHS

COLOR : BLACK

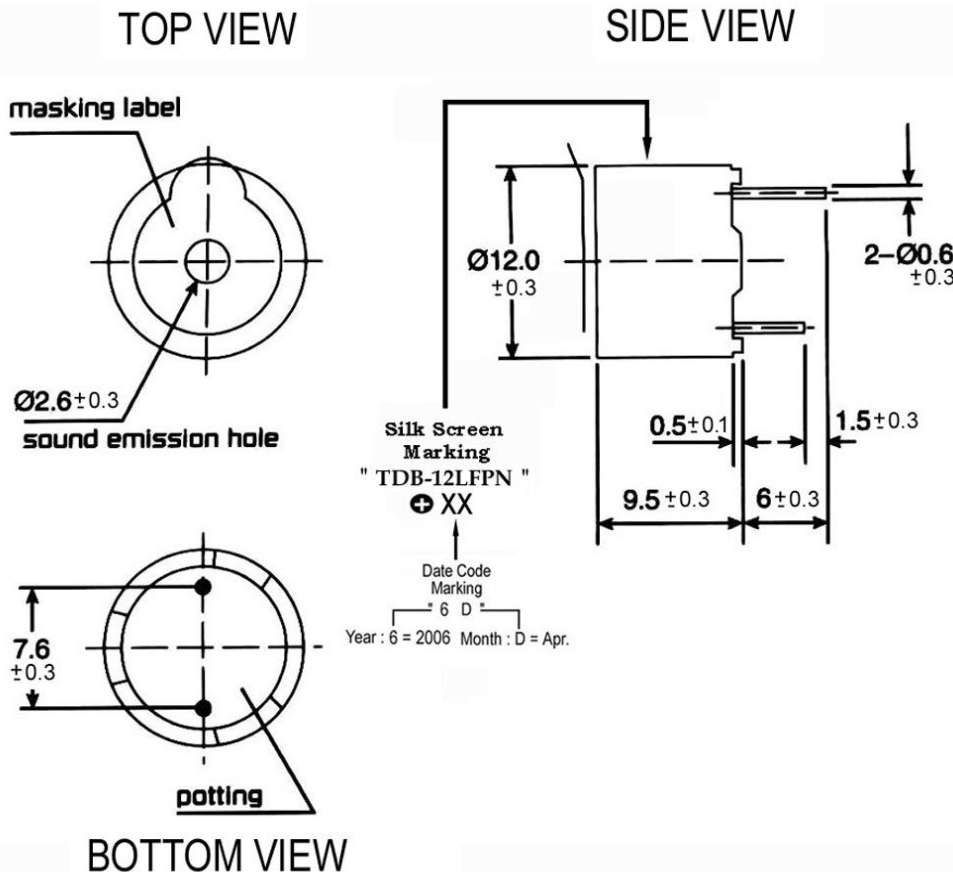
ELECTRICAL SPECIFICATIONS

MODEL NO.		TDB12LFPN
OPERATING VOLTAGE RANGE (VDC)		8.0 ~ 15.0
RATED VOLTAGE (VDC)		12
* MAX. RATED CURRENT (mA)		30
* MIN. SOUND OUTPUT (dBA/ 10 cm)		85
* FREQUENCY (Hz)		2300 ± 300
TONE NATURE		SINGLE
OPERATING TEMPERATURE (°C)		-40 ~ +85
TERMINAL		PIN
HOUSING MATERIAL		NORYL
WEIGHT (g)		2.0

* Value applying at rated voltage

DIMENSIONS

UNIT : mm



Approved By : 
Date : 26-Apr.-2006



Prepared By : 
Date : 26-Apr.-2006



Modify :	Date :	By :
Add Date Code Marking	26-Apr-06	Joey