



SPECIFICATIONS SHEET

PRODUCT TYPE : MAGNETIC TRANSDUCER

PRODUCT SERIES : DB111

DESCRIPTION : MT TRANSDUCER 1.5V PIN NORYL

RoHS

COLOR : BLACK

ELECTRICAL SPECIFICATIONS

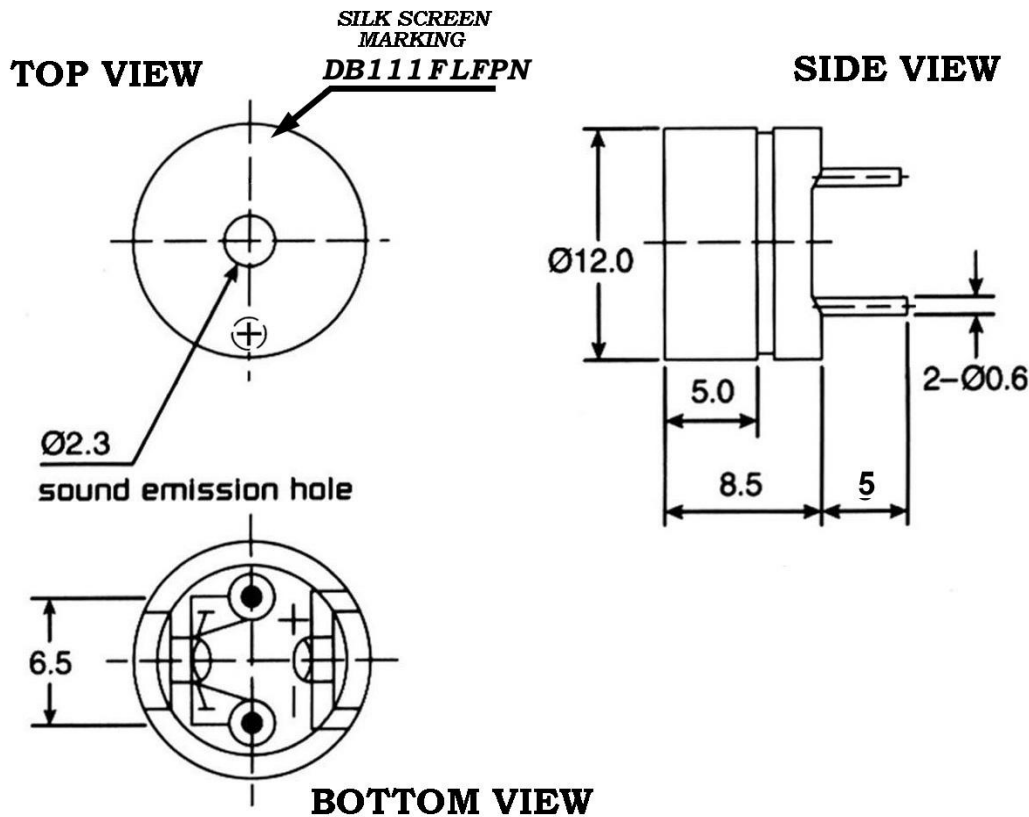
MODEL NO.		DB111FLFPN
OPERATING VOLTAGE RANGE (V)		1.0 ~ 5.0
RATED VOLTAGE (V)		1.5
+ MAX. RATED CURRENT (mA)		15
COIL RESISTANCE (Ω)		42.0 \pm 5.0
* COIL IMPEDANCE (Ω)		80
+ MIN. SOUND OUTPUT AT 10 cm (dBA)		80
RESONANT FREQUENCY (Hz)		2048
OPERATING TEMPERATURE ($^{\circ}$ C)		- 20 ~ + 60
TERMINAL		PIN
HOUSING MATERIAL		NORYL
WEIGHT (g)		2.0

+ Value applying rated voltage resonant frequency, 1/2 duty, square wave


* Value applying resonant frequency, 1/2 duty, square wave, measuring current 60uA

DIMENSIONS

UNIT : mm



Approved By : 
Date : 27-Jun-2005

Prepared By : 
Date : 27-Jun-2005

Modify :	Date :	By :