



SPECIFICATIONS SHEET

PRODUCT TYPE : MAGNETIC TRANSDUCER
PRODUCT SERIES : CDX094A
DESCRIPTION : MT TRANSDUCER 3V PIN PPO RoHS
COLOR : BLACK

ELECTRICAL SPECIFICATIONS

MODEL NO.	CDX094A3BOLFPP	
OPERATING VOLTAGE RANGE (V)	2.0 ~ 5.0	
RATED VOLTAGE (V)	3.0	
+ MAX. RATED CURRENT (mA)	100.0	
COIL RESISTANCE (Ω)	16.0 ± 3.0	
+ MIN. SOUND OUTPUT AT 10.0 cm (dBA)	85.0	
RESONANT FREQUENCY (Hz)	2731	
OPERATING TEMPERATURE (°C)	- 30.0 ~ + 80.0	
STORAGE TEMPERATURE (°C)	- 40.0 ~ + 85.0	
TERMINAL	PIN	
HOUSING MATERIAL	PPO	
WEIGHT (g)	0.7	

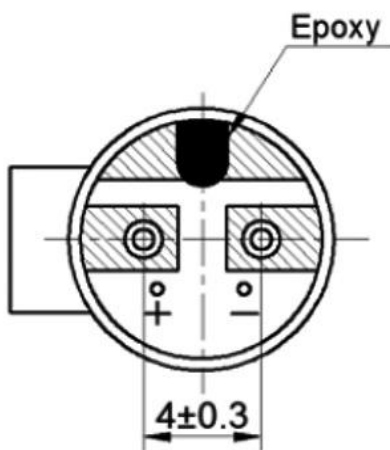
+ Value applying rated voltage resonant frequency, 1/2 duty , square wave

* Value applying resonant frequency, 1/2 duty , square wave ,measuring current 60uA

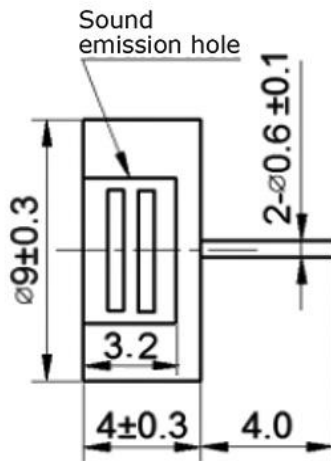
DIMENSIONS

UNIT : mm

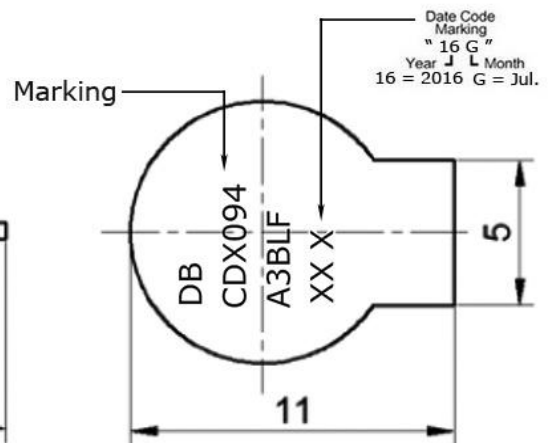
BOTTOM VIEW



SIDE VIEW



TOP VIEW



Modify :	Date :	By :
Change the pin length 4.5mm	18-Sep-15	Wai
1) 4.5 mm pin length change to 4 mm.	27-Jul.-2016	Chris
2) 10.7 mm change to 11 mm.		
3) Modify draw.		



Jy



Chris

Approved By :
Date : 27-Jul.-2016

Prepared By :
Date : 27-Jul.-2016