



SPECIFICATIONS SHEET

PRODUCT TYPE : MAGNETIC TRANSDUCER

PRODUCT SERIES : DBX

DESCRIPTION : MT TRANSDUCER 12V PIN NORYL RoHS

COLOR : BLACK

ELECTRICAL SPECIFICATIONS

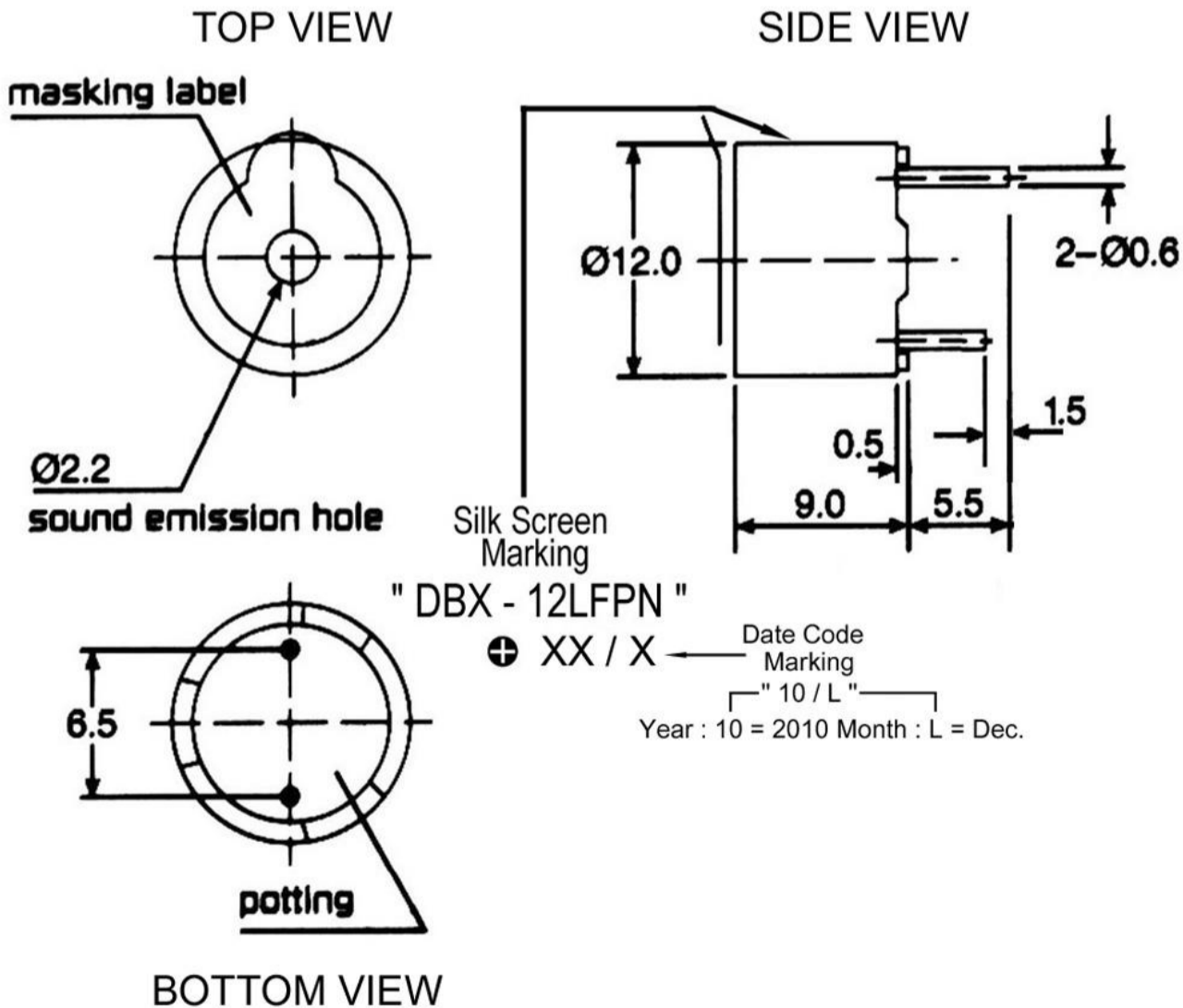
MODEL NO.		DBX12LFPN
OPERATING VOLTAGE RANGE	(V)	6.0 ~ 15.0
RATED VOLTAGE	(V)	12.0
+ MAX. RATED CURRENT	(mA)	40.0
COIL RESISTANCE	(Ω)	140.0 \pm 14.0
* COIL IMPEDANCE	(Ω)	240
+ MIN. SOUND OUTPUT AT 10 cm	(dBA)	85.0
RESONANT FREQUENCY	(Hz)	2400
OPERATING TEMPERATURE	($^{\circ}$ C)	- 40.0 ~ + 85.0
TERMINAL		PIN
HOUSING MATERIAL		NORYL
WEIGHT	(g)	2.0

+ Value applying rated voltage resonant frequency, 1/2 duty, square wave

* Value applying resonant frequency, 1/2 duty, square wave, measuring current 60uA

DIMENSIONS

UNIT : mm



Approved By :
Date : 10-May-2012

Prepared By :
Date : 10-May-2012

Modify :	Date :	By :
Operating temp. change to -20~+80 $^{\circ}$ C	1-Dec-10	Joey
Operating temp. change to -40~+85 $^{\circ}$ C	10-May-12	Joey