



LMD-A3 Series



UL[®]
C US
E477342

Available



Description:

The LMD-A3 is powered by a 5050 SMD LED chip, designed to produce high luminous efficiency. Built with over molded waterproof housing and aluminum injection PCB, the LMD-A3 was designed to last. Printed markings allow individual modules to be cut, while double-sided 3M adhesive tape found on the back of modules allows for easy installation.

Features:

- Super Bright LED Module Series
- SMD5050 + 200 Lumen Per Foot
- 0.72W Per Module
- UL Compliance Certified
- Strong 3M Adhesive Tape



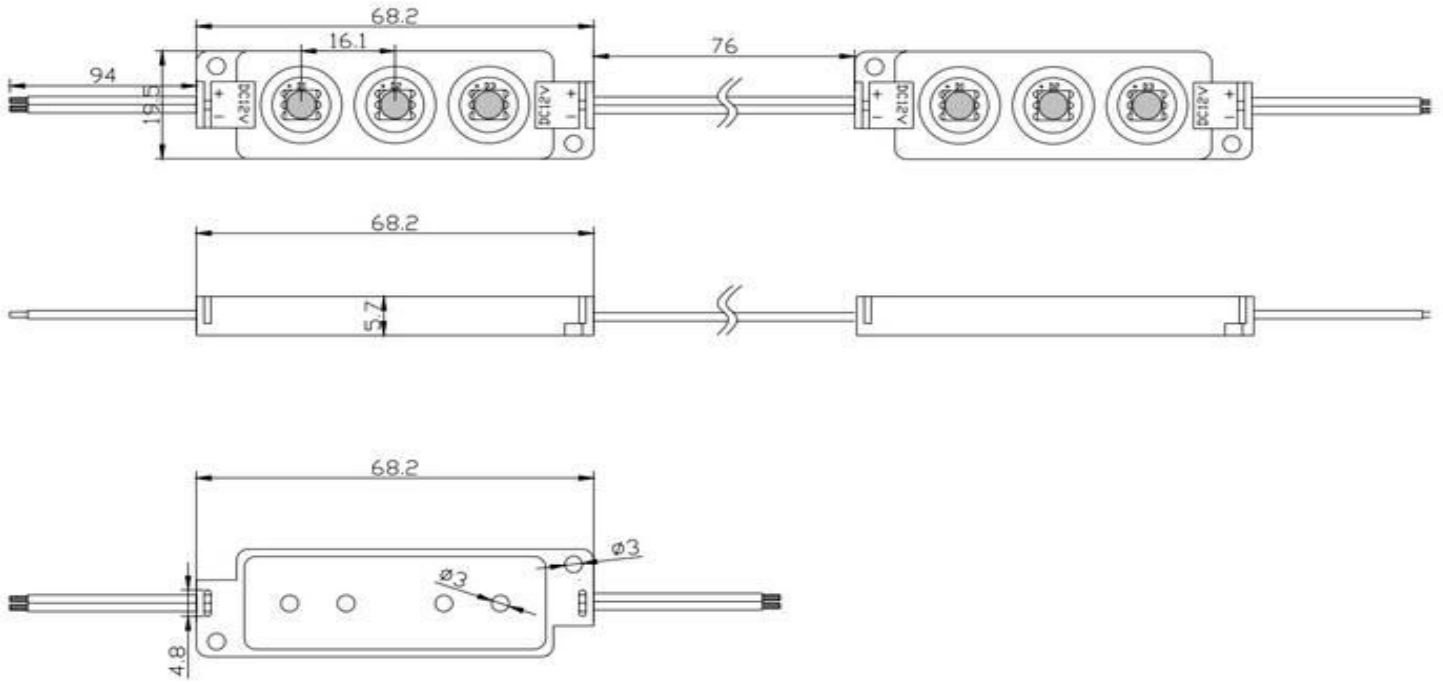
Specification:

	Model No.	LMD-A3
Physical	Color	White, Red, Green, Blue
	Dimensions (length x width x height)	2.7" x 0.76" x 0.2"
	Color Temperature	8000K
	LED Chips / Module	3
	LED Modules / Foot	3
	LED Modules / String	10
	Operating Temperature	-68 ~ 158 °F
	Storage Temperature	-86 ~ 176 °F
	View Angle	120°
Electrical	Power Consumption	0.72 W
	Forward Voltage	12V
	Forward Current	60 mA
Output	Lumens / Module	70
	Lumens / Foot	210
Electrical	Certification	UL E477342, CE, RoHS
	IP Grade	IP67
	Warranty	5 years

Color Variations

Color	Red	Green	Blue
Wave length(nm)	620-630	515-520	460-470

Dimensions



mm

unit: