

## 插入型絕緣/金屬軸式編碼規則

**RV 09 A X F - 40 E1 - 20 F X - B 5K - X X XXX**  
**1 2 3 4 5 6 7 8 9 10 11 12 13 14 15**

**1. Product Line**  
RV Rotary Potentiometer

**2. Model**

**3. Structure Difference**

**4. Derivatives**

**5. RoHS Version**  
F indicates RoHS Compliance

**6. Type of Terminal**

| Code | Type of Terminal          |
|------|---------------------------|
| 10   | Solder lug                |
| 20   | PC board (horizontal)     |
| 30   | PC board (vertical);front |
| 40   | PC board (vertical);back  |

**7. Type of Bushing**

**8. Shaft Length**

**9. Type of Shaft**

**10. Axis Angle of F-type Shaft**

**11. Pattern of Resistance Curve**

**12. Resistance Value**

**13. Materials & Methods for Manufacturing Shaft & Bushing**

**14. Number of Click**

| Code | Specification      |
|------|--------------------|
| 0    | None               |
| C    | Center Click       |
| D    | 11 Positions click |
| E    | 21 Positions click |
| F    | 41 Positions click |

**15. Serial No.**

**訂單指定事項：**

開立訂單時，用途請依下表記載予以指定製品之規格詳細記載並確認之。

**項目：**

1. 型號。
2. 公稱阻值及線性要求。
3. 軸型及長度。
4. 端子型式。
5. 段點的有無。
6. 中間抽頭的有無。
7. 音量用或其他。
8. 手焊錫或錫爐焊錫。

**ORDERING INSTRUCTIONS**


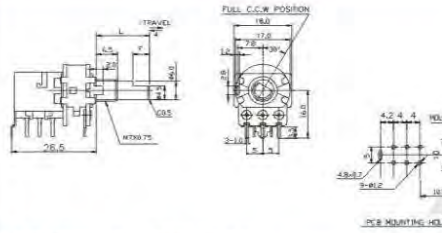
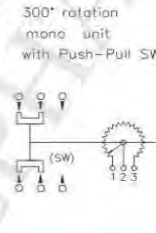

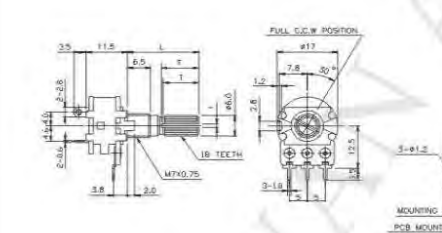


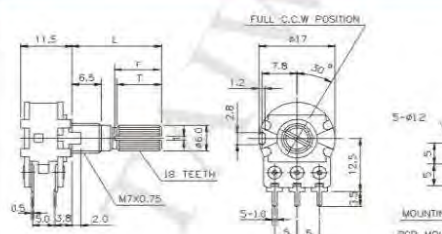
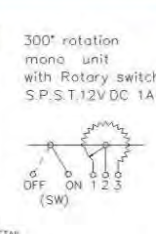
WHEN PLACING YOUR ORDER, PLEASE SPECIFY THE FOLLOWING ITEMS ACCORDING TO YOUR APPLICATION NEEDS. FOR MORE INFORMATION ABOUT OUR PRODUCTS, PLEASE REFER TO THE SPECIFICATION GIVEN ON THE FOLLOWING PAGES.

**ITEMS :**

1. MODEL.
2. NORMAL RESISTANCE VALUE AND TAPER.
3. SHAFT STYLE AND LENGTH.
4. TERMINAL STYLE.
5. WITH CLICK OR WITHOUT CLICK, CLICK POSITION
6. WITH TAP OR WITHOUT TAP, TAP POSITION.
7. FOR VOLUME CONTROL OR OTHER USE.
8. MANUAL SOLDERING OR DIP SOLDERING.

# 16mm METAL SHAFT WITH SWITCH SERIES



| Model                                                                                                                                                      | Outline Drawing                                                                                                                  | Features / Individual Specification                                                                                                                        |
|------------------------------------------------------------------------------------------------------------------------------------------------------------|----------------------------------------------------------------------------------------------------------------------------------|------------------------------------------------------------------------------------------------------------------------------------------------------------|
| <p><b>RV16BF-20 (D.P.D.T Switch)</b><br/>(S.P.D.T is also available)</p>  |  <p>Dual Gang (RV16B01F) is also available</p> | <p>300° rotation mono unit with Push-Pull SW</p>                        |
| <p><b>RV16A04F-20</b></p>                                                 |                                                | <p>300° rotation mono unit with Rotary switch S.P.S.T, 12V DC 1A</p>    |
| <p><b>RV16A03F-20</b></p>                                               |                                              | <p>300° rotation mono unit with Rotary switch S.P.S.T, 12V DC 1A</p>  |

## SPECIFICATION

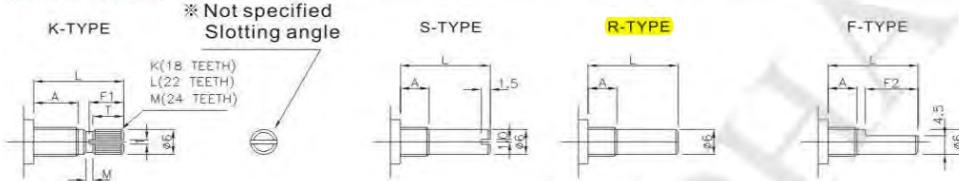
|                             | <b>RV16BF</b>                              | RV16A04F & RV16A03F                        |
|-----------------------------|--------------------------------------------|--------------------------------------------|
| <b>MECHANICAL</b>           |                                            |                                            |
| TOTAL ROTATION ANGLE        | 300° ±5°                                   | 300° ±5°                                   |
| ROTATION TORQUE             | 20-200 gf.cm                               | 20-200 gf.cm                               |
| SHAFT STOP STRENGTH         | 6kgf.cm/Min.                               | 6kgf.cm/Min.                               |
| SWITCH WORKING ANGLE/STROKE | 4mm                                        | 50° ±10°                                   |
| SWITCH WORKING TORQUE/FORCE | 800gf.cm Max.                              | 50-450gf.cm                                |
| SWITCH CIRCUIT              | D.P.D.T. S.P.D.T.                          | S.P.S.T.                                   |
| <b>ELECTRICAL</b>           |                                            |                                            |
| RATED WATTAGE               | Linear taper (B) 0.2W<br>other tapers 0.1W | linear taper (B) 0.2W<br>other tapers 0.1W |
| RATED VOLTAGE               | 200V                                       | 200V                                       |
| INSULATION RESISTANCE       | more than 100MΩ at 500V DC                 | more than 100MΩ at 500V DC                 |
| DIELECTRIC STRENGTH         | 500V AC, 1 minute                          | 500V AC, 1 minute                          |
| SWITCH CONTACT RESISTANCE   | less than 20mΩ                             | less than 50mΩ                             |
| SWITCH RATING               | 30V DC, 0.3A                               | 12V DC, 1A                                 |
| ROTATION LIFE               | 15,000 cycles                              | 15,000 cycles                              |
| SWITCH LIFE                 | 10,000 cycles                              | 10,000 cycles                              |

For Shaft & Bushing Dimension please refer to page (69)



**STANDARD SHAFT, BUSHING, NUT AND WASHER DIMENSION**

**METAL SHAFT**



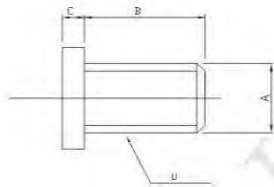
A: 5m/m

| SHAFT-TYPE | L  | 10  | 15  | 20 | 25 | 30 | 35 | 40 |
|------------|----|-----|-----|----|----|----|----|----|
| K          | F1 | 3.5 | 6.5 | 11 | 14 | 14 | 14 | 14 |
|            | T  | 3.2 | 6   | 10 | 12 | 12 | 12 | 12 |
|            | M  | 0.5 | 1   | 2  | 4  | 4  | 4  | 4  |
| F          | F2 | 4   | 7   | 12 | 14 | 14 | 14 | 14 |
| R, S       | L  | 10  | 15  | 20 | 25 | 30 | 35 | 40 |

A: 6.5m/m

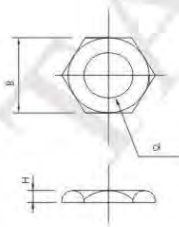
| SHAFT-TYPE | L  | 10  | 15  | 20 | 25 | 30 | 35 | 40 |
|------------|----|-----|-----|----|----|----|----|----|
| K          | F1 | 2.4 | 6.5 | 11 | 14 | 14 | 14 | 14 |
|            | T  | 2.2 | 6   | 10 | 12 | 12 | 12 | 12 |
|            | M  | 0.5 | 1   | 2  | 4  | 4  | 4  | 4  |
| F          | F2 | 2.5 | 7   | 12 | 14 | 14 | 14 | 14 |
| R, S       | L  | 10  | 15  | 20 | 25 | 30 | 35 | 40 |

**BUSHING**



| SERIES | RV24A   | RV170   | RV16A   | RV060   | RV120   | RV122   |
|--------|---------|---------|---------|---------|---------|---------|
| A      | ∅8      | ∅7      | ∅7      | ∅9      | ∅7      | 7       |
| B      | 6.5     | 5       | 6.5     | 7       | 7       | 7       |
| C      | 2       | 1       | 1.4     | 0.7     | 3.3     | 3.3     |
| D      | M8x0.75 | M7x0.75 | M7x0.75 | M9x0.75 | M7x0.75 | M7x0.75 |

**NUT, WASHER**



| d         | B    | H   |
|-----------|------|-----|
| M6x0.75   | 8    | 2.0 |
| M7x0.75   | 10   | 2.0 |
| M8x0.75   | 11   | 2.0 |
| M9x0.75   | 12   | 2.0 |
| M10x0.75  | 14   | 2.0 |
| 3/8"32NEF | 12.6 | 2.2 |














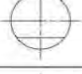
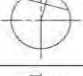



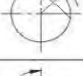
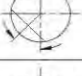

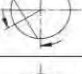




| SERIES    | d     | D     | H   |
|-----------|-------|-------|-----|
| M6        | ∅6.1  | ∅10   | 0.4 |
| M7        | ∅7.1  | ∅12   | 0.4 |
| M8        | ∅8.1  | ∅14   | 0.4 |
| M9        | ∅9.1  | ∅14   | 0.4 |
| M10       | ∅10.2 | ∅14.8 | 0.5 |
| 3/8"32NEF | ∅9.7  | ∅16   | 0.4 |



### AXIS ANGLE OF F-TYPE AND A-TYPE SHAFT

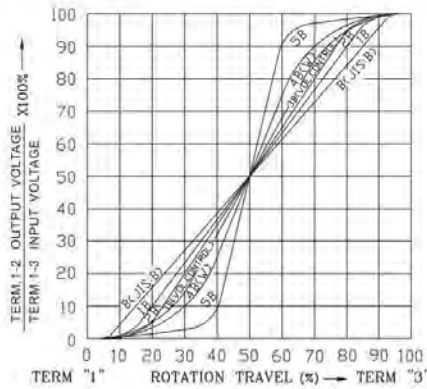
Standard Angle (for 300° rotation)

| AXIS Angle                                                                               | Symbol   | AXIS Angle                                                                               | Symbol   |
|------------------------------------------------------------------------------------------|----------|------------------------------------------------------------------------------------------|----------|
|         | F00, (O) |         | F12, (M) |
|  105°   | F01, (A) |  105°   | F13, (N) |
|  120°   | F02, (B) |  120°   | F14, (P) |
|  135°   | F03, (C) |  135°   | F15, (Q) |
|  150°  | F04, (D) |  150°  | F16, (R) |
|  165° | F05, (E) |  165° | F17, (S) |
|       | F06, (F) |       | F18, (T) |
|  15°  | F07, (G) |  15°  | F19, (V) |
|  30°  | F08, (H) |  30°  | F20, (W) |
|  45°  | F09, (J) |  45°  | F21, (X) |
|  60°  | F10, (K) |  60°  | F22, (Y) |
|  75°  | F11, (L) |  75°  | F23, (Z) |

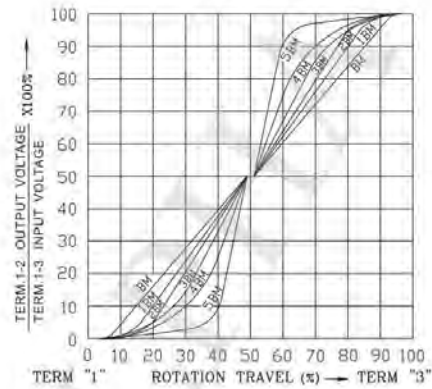
Axis angle is shown in full counter clockwise position

## STANDARD RESISTANCE TAPER

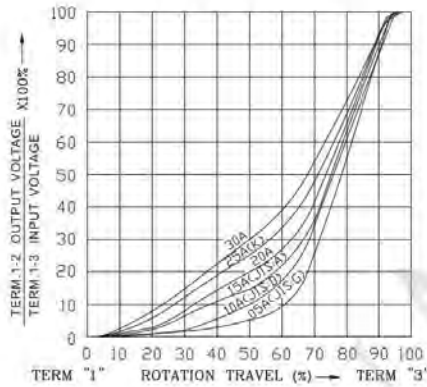
### TAPERS B SERIES



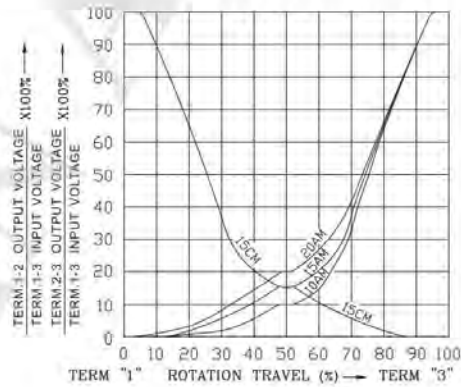
### TAPERS B WITH 50% TAP



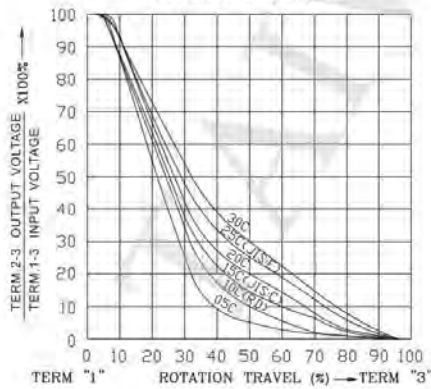
### TAPERS A SERIES



### TAPERS A & C WITH 50% TAP



### TAPERS C SERIES



### TAPERS M & N

