

Distributed by:

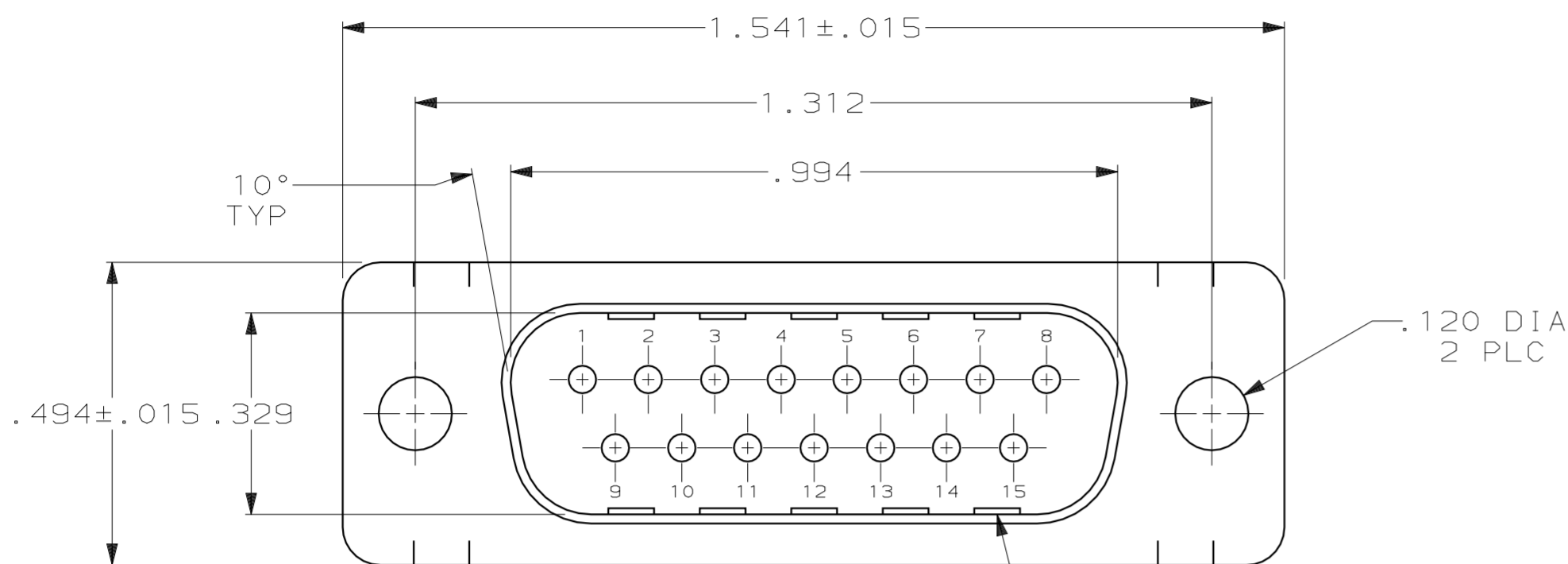
JAMECO[®]
ELECTRONICS

www.Jameco.com ♦ 1-800-831-4242

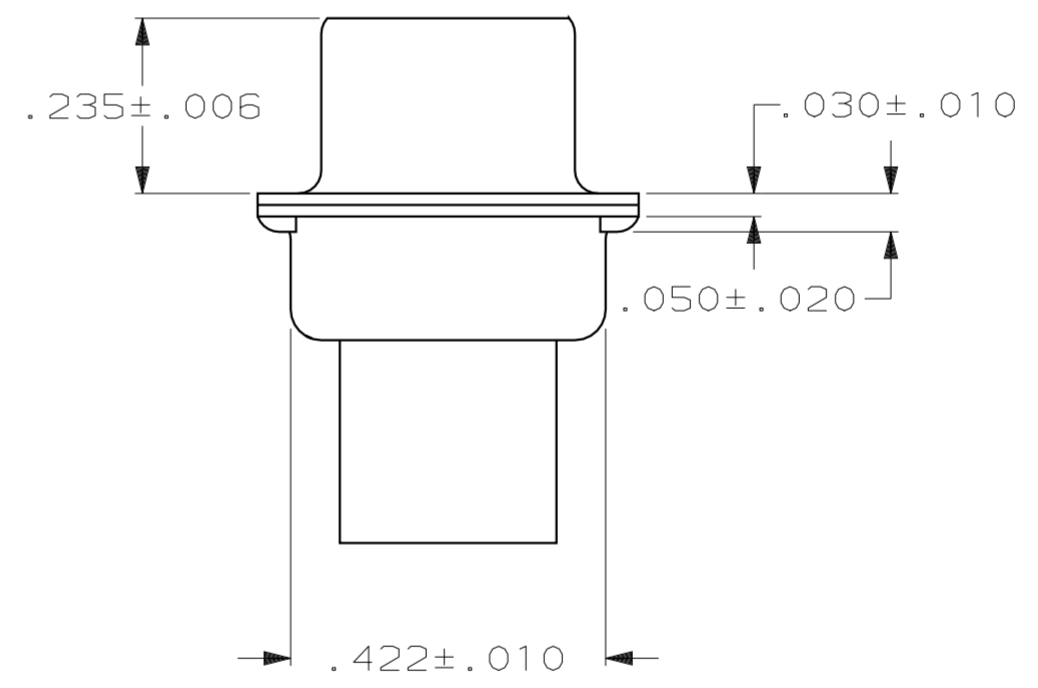
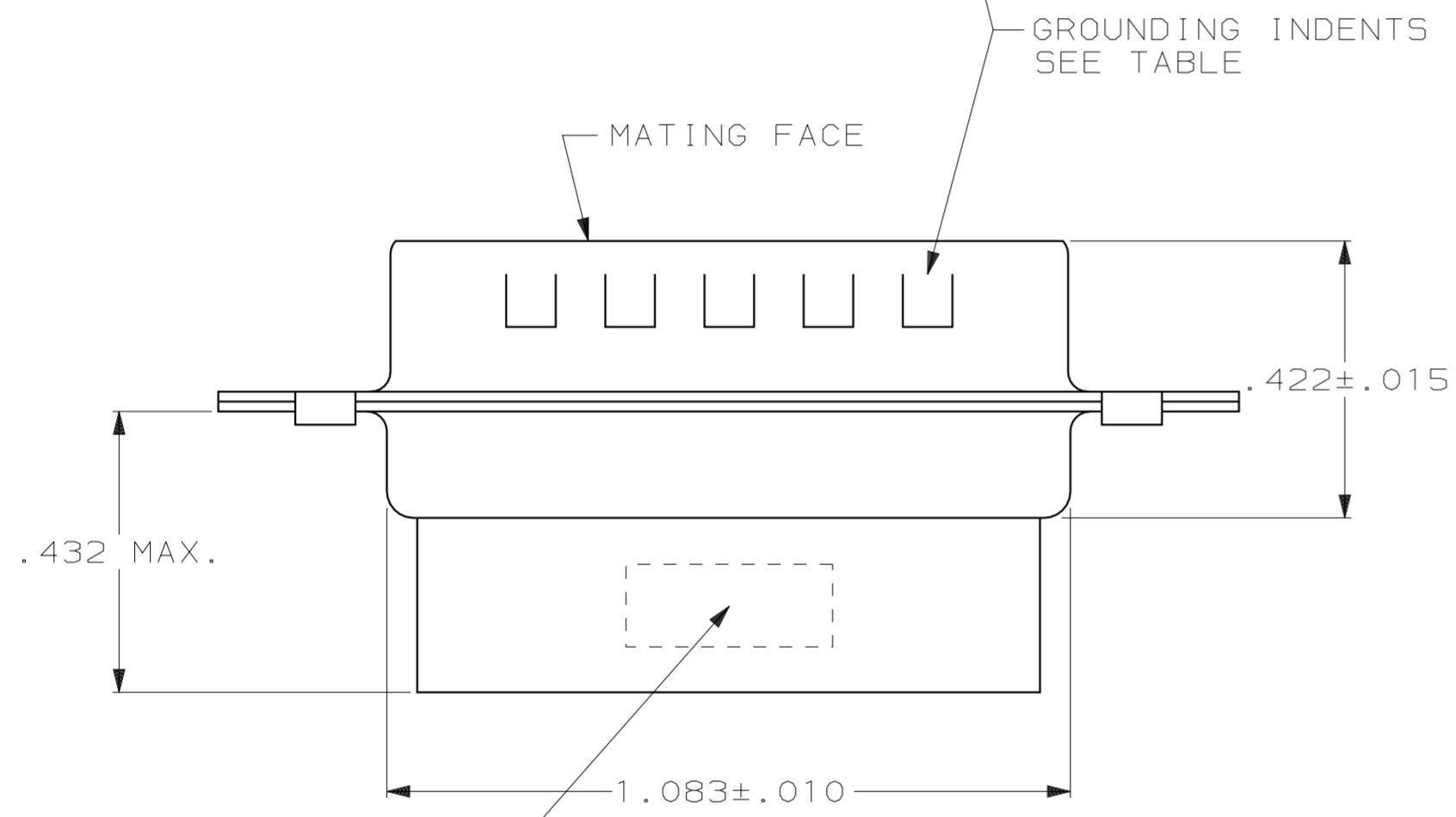
The content and copyrights of the attached
material are the property of its owner.

Jameco Part Number 222800

LOC		DIST		REVISIONS			
P	F	ZONE	LTR	DESCRIPTION	DATE	APPD	
GP	00		K	REVISED PER EC 0513-0234-05	27SEP05	JG	



- CONNECTOR ACCEPTS SIZE 20 DF PIN CONTACTS, RETENTION TINES ARE AN INTEGRAL PART OF INSERT.
- CONNECTOR COMPLIES WITH 108-40005 WHERE APPLICABLE.
- NYLON, FLAME RETARDANT, 94V-0 RATED, GLASS FILLED, BLACK.
- STEEL PER ASTM A109.
- ZINC PLATED PER ASTM B633; TYPE II; CLASS SC1; YELLOW CHROMATE.
- TIN OR TIN-LEAD PLATED OVER COPPER UNDERPLATE.
- TIN PLATED OVER COPPER UNDERPLATE.
- ZINC PLATED .000200-.000400 THICK, YELLOW TRIVALENT CHROMIUM CHROMATE COATING.



"AMP", PART NO. & DATE CODE, MARKED IN AREA INDICATED, ON FAR SIDE

PACKAGING TYPE	SHELL FINISH	GROUNDING INDENTS	PART NO
STANDARD	△8	NO	205206-9
STANDARD	△7	NO	205206-8
OBSOLETE SMALL PACK	△5	NO	205206-6
STANDARD	△7	YES	205206-3
STANDARD	△6	NO	205206-2
STANDARD	△5	NO	205206-1

DO NOT SCALE PRINT. UNLESS SPECIFIED DIMENSIONS IN INCHES TOLERANCES ON : 2 PLC DEC ± - 3 PLC DEC ± .005 ANGLES ± 2°	DR 7-19-85 S.WELDON	AMP Incorporated Harrisburg, PA 17105-3608	
	CHK 7-29-85 J.GERACE		
MATERIAL MOLDED PARTS: △3 SHELLS: △4	APPD 7-29-85 L.BREKOSKY	NAME	
FINISH SHELLS: SEE TABLE	APPD 7-31-85 V.KUMAR	PLUG CONNECTOR, SIZE 2, 15 POSITION, AMPLIMITE™ HDP	
	PRODUCT SPEC -	SIZE C	CAGE CODE 00779
	APPLICATION SPEC -	DRAWING NO C=205206	
	WEIGHT -	SCALE NTS	SHEET 1 OF 1

THIS DRAWING IS A CONTROLLED DOCUMENT FOR AMP INCORPORATED. IT IS SUBJECT TO CHANGE AND THE CONTROLLING ENGINEERING ORGANIZATION SHOULD BE CONTACTED FOR THE LATEST REVISION.